

BTF Series Mixers

“Superior *quality* product
at an *affordable* price !”



BTF080 (80 QUARTS)
BTF100 (100 QUARTS)
BTF120 (120 QUARTS)
BTF140 (140 QUARTS)



Mixers

Standard Features

- 99 minutes mixing timer
- 7 programmable speed and time settings
- Simple to use IP65 touch screen control
- Heavy duty frame with lead free enamel coated steel for easy cleaning
- 20 continuous speeds, for higher efficiency
- No need to stop mixer to change speed
- Emergency stop
- Most powerful IP55 heavy duty motors of the industry : up to 5 HP
- Includes stainless steel bowl, dough hook, whip and flat beater
- Bowl guard with safety interlock, prevents operation when guard is open or bowl is lowered
- Bowl, safety guard and mixing tools are stainless steel
- Superior torque transmission which eliminates vibration and noise for heavy loads
- Metal-rubber composite gear type belt, non-slipping, provides durability for tough mixes and allows to change speeds while mixer is running
- Flanged legs to fix mixer on the floor
- Electric bowl lifting system
- Virtually maintenance free, extremely durable
- Exceptionnally quiet and robust
- Bowl locks automatically
- ETL & ETL Sanitation listed
- One year parts and labor limited warranty

OPTIONAL

- Stainless steel bowl dollie on casters (BTF080D, BTF100D, BTF120D, BTF140D)
- Stainless steel construction (BTF080I, BTF100I, BTF120I, BTF140I)
- Marine construction (BTF080M, BTF100M, BTF120M, BTF140M)

BTF Series mixers

Doyon mixers are simply your best buy for small to high volume stores. Doyon's unique 20 speeds transmission enables the operator to change speeds without having to stop the mixer and mixes products at a precise setting for maximum efficiency. With up to 5 HP motors, Doyon mixers are not only the strongest of the industry, they are the most attractively priced mixers of their category.

EXTERIOR DIMENSIONS

	W	D	H	H1
BTF080	32 1/2" (825 mm)	X 45 3/4" X 1160 mm	X 63 1/4" X 1605 mm	37 1/2" (953 mm)
BTF100	32 1/2" (825 mm)	X 45 3/4" X 1160 mm	X 63 1/4" X 1605 mm	37 1/2" (953 mm)
BTF120	32 1/2" (825 mm)	X 45 3/4" X 1160 mm	X 63 1/4" X 1605 mm	37 1/2" (953 mm)
BTF140	32 1/2" (825 mm)	X 45 3/4" X 1160 mm	X 63 1/4" X 1605 mm	37 1/2" (953 mm)

ELECTRICAL SYSTEM

BTF080 : 4 HP	480V	3PH	60Hz	12A NEMA L16-20P
BTF080 : 4 HP	208-240V	3PH	50/60Hz	17A NEMA L15-30P
BTF080 : 4 HP	208-240V	1PH	50/60Hz	24A NEMA 6-30P
BTF100 : 4 HP	480V	3PH	60Hz	12A NEMA L16-20P
BTF100 : 4 HP	208-240V	3PH	50/60Hz	17A NEMA L15-30P
BTF120 : 5 HP	480V	3PH	60Hz	16A NEMA L16-20P
BTF120 : 5 HP	208-240V	3PH	50/60Hz	20A NEMA L15-30P
BTF140 : 5 HP	480V	3PH	60Hz	16A NEMA L16-20P
BTF140 : 5 HP	208-240V	3PH	50/60Hz	20A NEMA L15-30P

BOWL CAPACITY

	Quarts (liters)	Dough (60% absorption ratio)
BTF080	80	125 lb (56.7 kg)
BTF100	100	140 lb (63.5 kg)
BTF120	120	176 lb (80 kg)
BTF140	140	210 lb (96 kg)

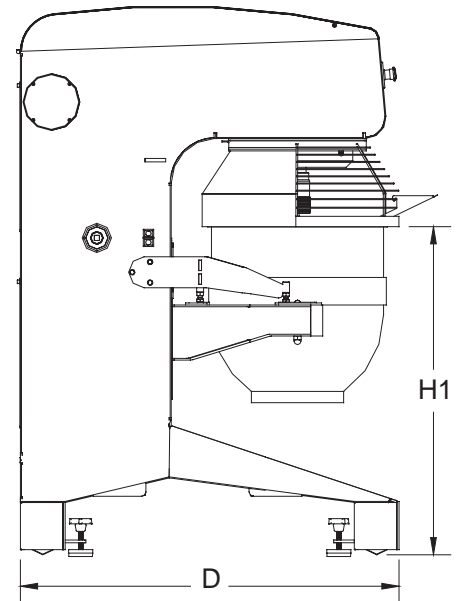
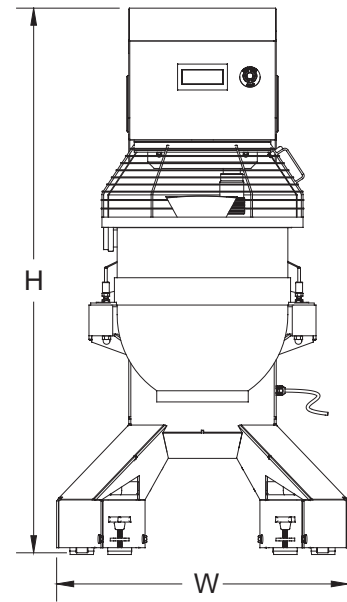
BOWL DIMENSIONS

BTF080	20 1/2" H X 20 1/4" Dia.	(521 mm X 514 mm)
BTF100	24 1/2" H X 20 3/4" Dia.	(622 mm X 527 mm)
BTF120	22 " H X 25" Dia.	(559 mm X 635 mm)
BTF140	24 3/8" H X 25" Dia.	(620 mm X 635 mm)

SHIPPING WEIGHT

BTF080	1100 lb (500 kg)
BTF100	1200 lb (545 kg)
BTF120	1300 lb (590 kg)
BTF140	1400 lb (635 kg)

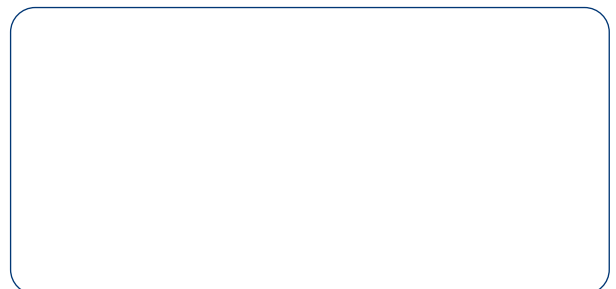
Specifications and design subject to change without notice.



Conforms to ANSI/UL std. 763 Conforms to
Certified to CSA C22.2 no.195 ANSI/NSF8



Your local distributor:



1255, rue Principale
Linière, Beauce, Québec, Canada G0M 1J0

Telephone : (418) 685-3431 Fax: (418) 685-3948
Canada : (800) 463-1636 U.S.: (800) 463-4273
E-Mail : doyon@doyon.qc.ca Internet: http://www.doyon.qc.ca