



## BTT-12E

### Electric Countertop Tilting Braising Pan



#### OPTIONS AND ACCESSORIES (AT ADDITIONAL CHARGE)

- Voltage options
  - 380 VAC, 3 phase, 60 Hz
  - 415 VAC, 3 phase, 60 Hz
  - 220/380 VAC, 4 wire
  - 240/415 VAC, 4 wire
  - 480 VAC, 3 phase, 60 Hz
  - 600 VAC, 3 phase, 60 Hz
- Stands
  - 30" (762 mm) high stainless steel stand with sliding shelf
  - 30" (762 mm) high stainless steel stand with sliding drawer and stationary drain
- Faucets
  - Single pantry faucet with swing spout
  - Double pantry faucet with swing spout
- Etched markings
  - Gallons
  - Litres
- Steam pan insert
- Stainless steel lift off cover
- Stainless steel perforated strainer
- Corrections package

Project \_\_\_\_\_  
 Item No. \_\_\_\_\_  
 Quantity \_\_\_\_\_

- Model BTT-12E (12 gallon electric tilting braising pan)

#### CONSTRUCTION

- Satin finish 10 gauge stainless steel pan with polished interior
- Coved corners
- Stainless steel control housing
- Elements are cast embedded into a full 1-1/2" (38mm) aluminum casting clamped below the pan for even heat distribution
- Side pivots for tilting
- Tilting handle with heat proof knob
- Tilt lock for upright position.
- Tilt position double permits tilting during the cook cycle to aid in grease removal
- Concealed mounting lugs for bolting unit to counter top or stand

#### OPERATION

- Integrally mounted controls
- Power switch
- Thermostat
- Cook indicator light
- High temperature cut-off
- 160-445°F (71-230°C) temperature range

#### CAPACITY

- 12 gallon (45 litres)

#### STANDARD FEATURES

- Side pivots and tilting handle with tilt lock
- Manual control
- Mounts to countertop (optional legs available)
- Standard voltage options
  - 208 VAC, 1 or 3 phase, 60 Hz
  - 220 VAC, 1 or 3 phase, 60 Hz
  - 240 VAC, 1 or 3 phase, 60 Hz
- One year parts and labor warranty\*

\* For all international markets, contact your local distributor.



BTT-12E BRAISING PAN

#### BLODGETT

www.blodgett.com

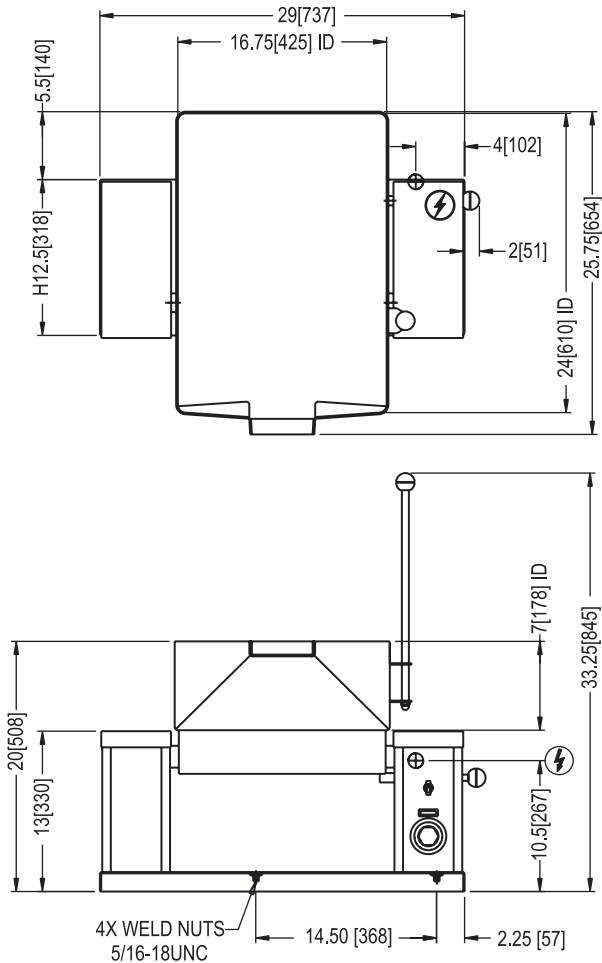
44 Lakeside Avenue, Burlington, VT 05401 • Phone: (802) 658-6600 • Fax: (802) 864-0183



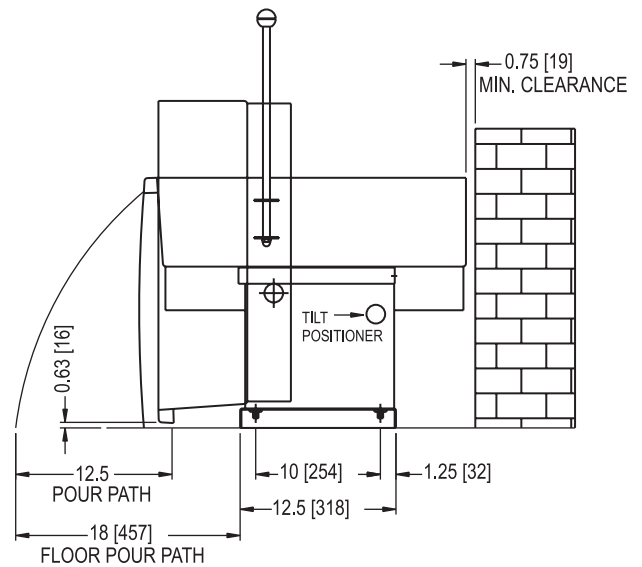
# BTT-12E ELECTRIC COUNTERTOP TILTING BRAISING PAN



APPROVAL/STAMP



DIMENSIONS ARE IN INCHES [MM]



## SHORT FORM SPECIFICATIONS

Provide Blodgett model BTT-12E, 12 gallon (45 litre) electrically heated counter tilting braising pan. The unit shall have a one-piece covered corner, 10 gauge stainless steel pan with #4 finish exterior and polished interior. Heating shall be accomplished by electric elements cast embedded into a full 1-1/2" (38mm) thick aluminum casting attached to the underside of the pan. The pan shall be mounted on side pivots to allow tilting and shall have a tilting handle with heat proof knob. A tilt position device shall permit the pan to be tilted forward slightly during cooking to aid grease removal. Tilt lock holds pan in upright position. Unit shall have concealed mounting lugs for bolting to a counter top or stand. The controls shall be integrally mounted in the stainless steel housing and shall include a power switch, thermostat with range of 160-445°F (71-230°C), a cook indicator light and high temperature cut-off. Provide options and accessories as indicated.

## MAXIMUM INPUT:

BTT-12E 9 kW

## POWER CONNECTION:

Refer to data plate.

This unit contains a mercury relay. DO NOT put mercury relay in trash. Relay must be recycled or disposed of as hazardous waste.

## SHIPPING INFORMATION:

Approx. Weight:

BTT-12E 220 lbs. (100 kg)

## AMPS PER LINE

kW	Phase	208V	220V	240V	380V	415V	480V	600V
9	1	43.3	40.9	37.5	N/A	N/A	N/A	N/A
	3	25.0	23.6	21.7	13.7	12.5	10.8	8.7

**NOTE:** The company reserves the right to make substitutions of components without prior notice.

**BLODGETT**

www.blodgett.com

44 Lakeside Avenue, Burlington, VT 05401 • Phone: (802) 658-6600 • Fax: (802) 864-0183