



Profit from the Eagle Advantage®

# Specification Sheet

## Short Form Specifications

Eagle RedHots® Two-Bulb Warmer, model \_\_\_\_\_.  
Freestanding portable bulb warmer with two 250-watt infrared white bulbs, mounted on adjustable heavy gauge chrome finished frame. Lamp shields constructed of polished aluminum. Optional stainless steel pan and drain insert available.



#BW-2-120 bulb warmer

## Options / Accessories

- Red infrared bulb
- White infrared bulb
- White infrared shatter-proof bulb
- Food pan
- Stainless steel drain insert

**EAGLE GROUP**  
100 Industrial Boulevard, Clayton, DE 19938-8903 USA  
Phone: 302-653-3000 • Fax: 302-653-2065  
www.eaglegrp.com

**Foodservice Division: Phone 800-441-8440**  
**MHC/Retail Display Divisions: Phone 800-637-5100**

For custom configuration or fabrication needs, contact our **SpecFAB® Division**.  
Phone: 302-653-3000 • Fax: 302-653-3091 • e-mail: specfab@eaglegrp.com

Item No.:	_____
Project No.:	_____
S.I.S. No.:	_____

## Bulb Warmers

### MODELS:

- |                                     |                                 |
|-------------------------------------|---------------------------------|
| <input type="checkbox"/> BW-2-120   | <input type="checkbox"/> 301759 |
| <input type="checkbox"/> BW-2-120-1 | <input type="checkbox"/> 301628 |
| <input type="checkbox"/> 301669     | <input type="checkbox"/> 360332 |
| <input type="checkbox"/> 301757     |                                 |

### Design and Construction Features

- 1" (25mm) square tubular adjustable frame constructed of heavy gauge steel with chrome-plated finish.
- Adjustable up to 8" (203mm) in height.
- Aluminum bulb shields complete with porcelain lamp sockets.
- Two 250-watt infrared white bulbs.
- 6' (1829mm) three-conductor cord with 15-amp 120-volt plug.
- Supplied with ON/OFF switch.
- Both units are 60 cycle single phase.



EG35.02 Rev. 09/08

**Spec sheets available for viewing, printing or downloading from our online literature library at [www.eaglegrp.com](http://www.eaglegrp.com)**

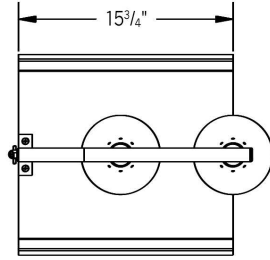
*Eagle Foodservice Equipment, Eagle MHC, SpecFAB®, and Retail Display are divisions of Eagle Group. ©2008 by the Eagle Group*

A City Discount

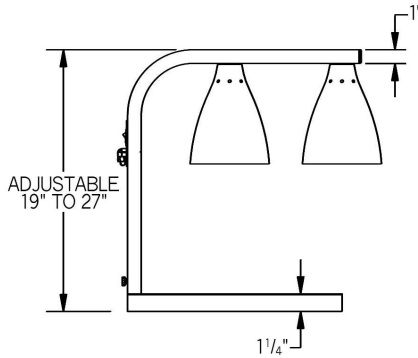


Item No.: \_\_\_\_\_  
 Project No.: \_\_\_\_\_  
 S.I.S. No.: \_\_\_\_\_

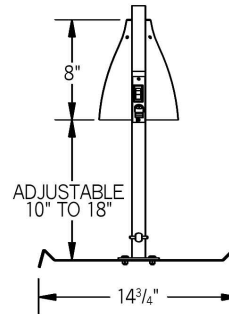
# Bulb Warmers



TOP VIEW



SIDE VIEW



REAR VIEW

model #	electrical data*	weight		description
		lbs.	kg	
BW-2-120	120V, 4.2A, 500W	10	4.5	two-bulb warmer
BW-2-120-I	120V, 4.2A, 500W	18	8.2	two-bulb warmer, drain insert, pan

\* 60 cycle single phase

## Accessories/Replacements

model #	weight		description
	lbs.	kg	
301669	3	1.4	12 3/4" x 20 3/4" x 2 1/2" pan
301757	2	0.9	stainless drain insert
301759	1	0.5	red infrared bulb
301628	1	0.5	white infrared bulb
360332	1	0.5	white infrared shatter-proof Teflon-coated bulb



optional pan with stainless steel insert

**EAGLE GROUP**  
 100 Industrial Boulevard, Clayton, DE 19938-8903 USA  
 Phone: 302-653-3000 • Fax: 302-653-2065  
 www.eaglegrp.com

Foodservice Division: Phone 800-441-8440  
 MHC/Retail Display Divisions: Phone 800-637-5100

Printed in U.S.A.  
 ©2008 by Eagle Group  
 Rev. 09/08

Spec sheets available for viewing, printing or downloading from our online literature library at [www.eaglegrp.com](http://www.eaglegrp.com)

Although every attempt has been made to ensure the accuracy of the information provided, we cannot be held responsible for typographical or printing errors. Information and specifications are subject to change without notice. Please confirm at time of order.