

## Specifications

### Description

Adcraft's Belgian Waffle Maker is perfect for breakfast spots, diners and any other establishments that wants to add hot and fluffy Belgian waffles to their menu. Cook up to twenty 1.25" thick waffles per hour with this round 7" Single Belgian Waffle Iron. Constructed with a stainless steel body for durability and easy cleaning. Heavy cast aluminum non-stick coated plates for easy and safe product release. 180 degree rotating hinge for even batter distribution. Easy to set digital timer and temperature controls make using simple enough for everybody. A removable stainless steel drip pan is included for easy cleaning. 120V, 1080W and 9 Amps. 5' long power cord with a NEMA 5-15 plug. This unit is CE Certified and backed by Adcraft's 1 year warranty.

### Construction

- Commercial quality heavy duty stainless steel construction
- Heavy duty non-stick coated aluminum waffle grids
- 500W heating elements in both the top and bottom grids
- Cool to touch bakelite handle
- Removable stainless steel drip tray for easy clean up

### Operation

- Adjustable digital timer with buzzer to prevent over cooking
- Adjustable temperature range from 250° to 425°F
- 180° rotating hinge for even batter distribution
- Lighted on/off power switch

### Electrical

- 120V, 1080W, 9 Amps
- 5' power cord with NEMA 5-15 plug

### Certifications/Approvals



## Belgian Waffle Maker - 7" Round

### Models:

- BWM-7/R



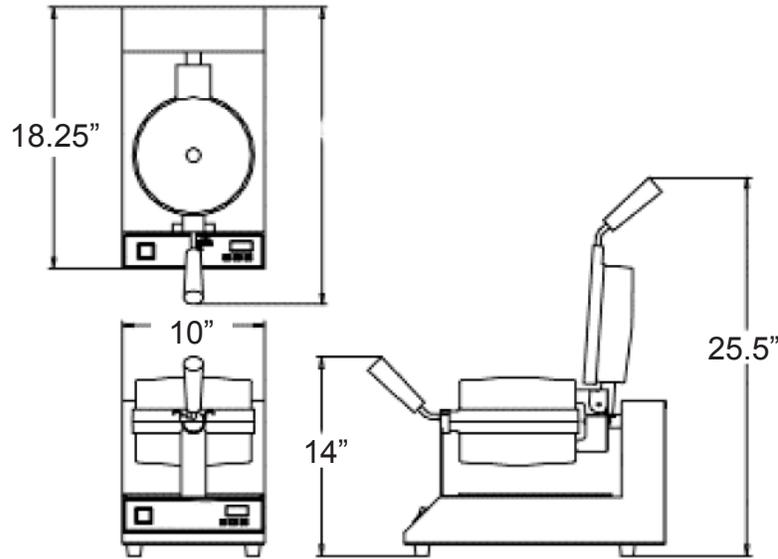
**Warranty:** This product is protected by Admiral Craft Equipment Corporation's 1 year limited warranty. Should your product fail under normal use it will be repaired or replaced up to one year from date of purchase.



Date: \_\_\_\_\_  
 Item No.: \_\_\_\_\_  
 Project No.: \_\_\_\_\_

## Belgian Waffle Maker - BWM-7/R

### Plan View



### Specifications

Item Number	Description	Volts	Wattage	Amps	NEMA Plug
BWM-7/R	7" Round Belgian Waffle Maker	120V	1080W	9	5-15P 

Item Number	Item Dimensions	Waffles Per Hour	Temperature Range	Timer
BWM-7/R	10"W x 18.25"D x 14"H	20 - 7" x 1.25"	250° - 425°F	0-15 minutes

\*Height with waffle irons open is 25.5"H

### Shipping Info

Item Number	Box Dimensions	Gross Weight	Net Weight
BWM-7/R	12"W x 20"D x 14"H	26 lbs	24 lbs

For more information about this or any of our other products go to [www.admiralcraft.com](http://www.admiralcraft.com). These items are listed on AutoQuotes. For full explanation of warranty coverage on this product please refer to warranty page located in the owner's manual and warranty section at [www.admiralcraft.com](http://www.admiralcraft.com). Specifications subject to change without notice. Please confirm at time of order.

©2015 Admiral Craft Equipment Corp.

**Admiral Craft Equipment Corp.**

940 South Oyster Bay Rd. • Hicksville, NY 11801 • P: 800-223-7750 • F: 800-447-7751 • [www.admiralcraft.com](http://www.admiralcraft.com)