

Item No.:	_____	Qty.:	_____
Model No.:	_____		
Project No.:	_____		



Budget Series Work Table

Budget Work Table, Backsplash with Stainless Steel Undershef

- | 24" | 30" |
|--|--|
| <input type="checkbox"/> BWT24S24-BSX | <input type="checkbox"/> BWT30S30-BSX |
| <input type="checkbox"/> BWT24S30-BSX | <input type="checkbox"/> BWT30S36-BSX |
| <input type="checkbox"/> BWT24S36-BSX | <input type="checkbox"/> BWT30S48-BSX |
| <input type="checkbox"/> BWT24S48-BSX | <input type="checkbox"/> BWT30S60-BSX |
| <input type="checkbox"/> BWT24S60-BSX | <input type="checkbox"/> BWT30S72-BSX |
| <input type="checkbox"/> BWT24S72-BSX | <input type="checkbox"/> BWT30S84-BSX |
| <input type="checkbox"/> BWT24S84-BSX | <input type="checkbox"/> BWT30S96-BSX |
| <input type="checkbox"/> BWT24S96-BSX | <input type="checkbox"/> BWT30S108-BSX |
| <input type="checkbox"/> BWT24S108-BSX | <input type="checkbox"/> BWT30S120-BSX |
| <input type="checkbox"/> BWT24S120-BSX | |

Features

- 16 Gauge, 400 series stainless steel
- 4" Backsplash with 1" return
- Welded construction for consistent metal gauge thickness throughout
- Sound deadened between top and bottom hat channels with double sided tape
- 1-5/8" Stainless steel legs and feet, adjustable up to 1"
- Fully adjustable stainless steel undershelf
- Shipped knocked down for reduced shipping costs and supplied with Allen wrench and screws

Materials

- **Top:** 16 Gauge, 400 series stainless steel, 1-3/4" turned-down edge
- **Legs:** 1-5/8" Diameter heavy gauge stainless steel tubing with stainless steel leg gussets and stainless steel feet, adjustable up to 1"
- **Undershef:** 18 Gauge, 400 series stainless steel, 1-1/2" turned-down edge, fully adjustable

Options

- Custom Height (if less than 36")
- Cutout in Top (depending on size and location)
- Overshelves
- Undershelves
- Casters / Feet Upgrade

* For additional available options, contact Elkay SSP

Flyer Product



AUTOQUOTES



In keeping with our policy of continuing product improvement, Elkay SSP reserves the right to change product specifications without notice.

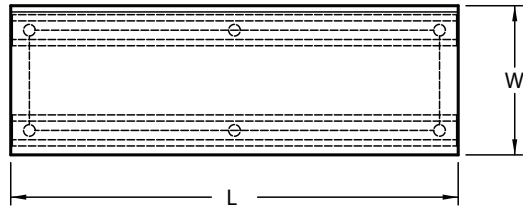
This specification describes an Elkay SSP product with design, quality and functional benefits to the user. When making a comparison of other producers' offerings, be certain these features are not overlooked.

Elkay SSP
 421 N. Freya St.
 Spokane, WA 99205
 Phone: 800-726-0553 Fax: 509-535-1493

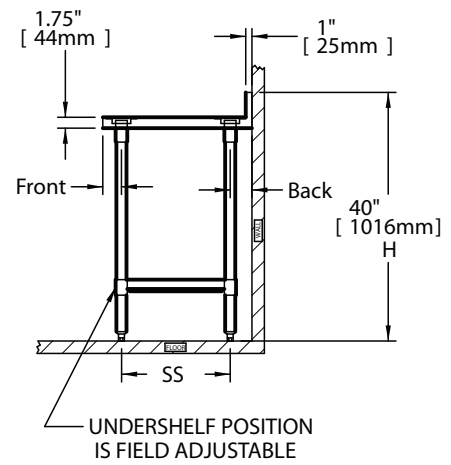
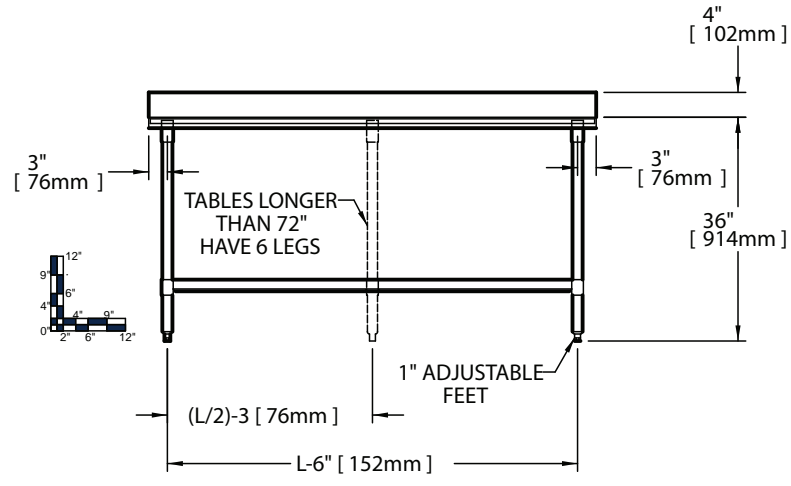
Website: www.sspinc.net
 Email: sspsales@elkay.com
 ©2011 Elkay



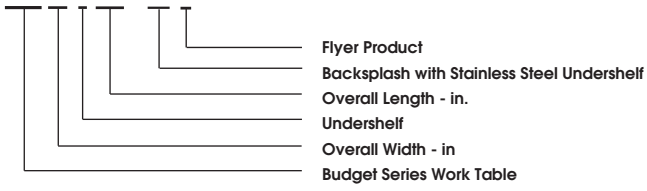
Item No.: _____ Qty.: _____
 Model No.: _____
 Project No.: _____



Size of Undershef:
 Common length = subtract 6" from length
 24" Width = subtract 6.5" from width
 30" Width = subtract 7.45" from width



24" Work Table					30" Work Table					Legs		
Model Number	Overall Size		Weight		Model Number	Overall Size		Weight				
	Length L	Height H	lbs.	kg		Length L	Height H	lbs.	kg			
	in.	mm	in.	mm		in.	mm	in.	mm	lbs.	kg	
BWT 24 S 24 - BS X	24	610	40	1016								
BWT 24 S 30 - BS X	30	762	40	1016	BWT 30 S 30 - BS X	30	762	40	1016	104	47	4
BWT 24 S 36 - BS X	36	914	40	1016	BWT 30 S 36 - BS X	36	914	40	1016	114	52	4
BWT 24 S 48 - BS X	48	1219	40	1016	BWT 30 S 48 - BS X	48	1219	40	1016	138	63	4
BWT 24 S 60 - BS X	60	1524	40	1016	BWT 30 S 60 - BS X	60	1524	40	1016	167	76	4
BWT 24 S 72 - BS X	72	1829	40	1016	BWT 30 S 72 - BS X	72	1829	40	1016	192	87	4
BWT 24 S 84 - BS X	84	2134	40	1016	BWT 30 S 84 - BS X	84	2134	40	1016	233	106	6
BWT 24 S 96 - BS X	96	2438	40	1016	BWT 30 S 96 - BS X	96	2438	40	1016	258	117	6
BWT 24 S 108 - BS X	108	2743	40	1016	BWT 30 S 108 - BS X	108	2743	40	1016	291	132	6
BWT 24 S 120 - BS X	120	3048	40	1016	BWT 30 S 120 - BS X	120	3048	40	1016	317	144	6



Elkay SSP
 421 N. Freya St.
 Spokane, WA 99205
 Phone: 800-726-0553 Fax: 509-535-1493

Website: www.sspinc.net
 Email: sspsales@elkay.com
 ©2011 Elkay