

Item No.:	_____	Qty.:	_____
Model No.:	_____		
Project No.:	_____		

Budget Series Work Table

Budget Work Table, Flat Top with Galvanized Undershef



24"

- BWT24S24-STGX
- BWT24S30-STGX
- BWT24S36-STGX
- BWT24S48-STGX
- BWT24S60-STGX
- BWT24S72-STGX
- BWT24S84-STGX
- BWT24S96-STGX
- BWT24S108-STGX
- BWT24S120-STGX

30"

- BWT30S30-STGX
- BWT30S36-STGX
- BWT30S48-STGX
- BWT30S60-STGX
- BWT30S72-STGX
- BWT30S84-STGX
- BWT30S96-STGX
- BWT30S108-STGX
- BWT30S120-STGX

Features

- 16 Gauge, 400 series stainless steel
- Welded construction for consistent metal gauge thickness throughout
- Sound deadened between top and bottom hat channels with double sided tape
- 1-5/8" Galvanized legs with high impact plastic feet adjustable up to 1"
- Fully adjustable galvanized undershef
- Shipped knocked down for reduced shipping costs and supplied with Allen wrench and screws

Options

- Custom Height (if less than 36")
- Cutout in Top (depending on size and location)
- Overshelves
- Undershelves
- Casters / Feet Upgrade

* For additional available options, contact Elkay SSP

Materials

- **Top:** 16 Gauge, 400 series stainless steel, 1-3/4" turned-down edge
- **Legs:** 1-5/8" Diameter heavy gauge galvanized tubing with galvanized leg gussets and high impact plastic feet, adjustable up to 1"
- **Undershef:** Galvanized steel with 1-1/2" turned-down edge, fully adjustable

Flyer Product



AUTOQUOTES



In keeping with our policy of continuing product improvement, Elkay SSP reserves the right to change product specifications without notice.

This specification describes an Elkay SSP product with design, quality and functional benefits to the user. When making a comparison of other producers' offerings, be certain these features are not overlooked.

Elkay SSP
 421 N. Freya St.
 Spokane, WA 99205
 Phone: 800-726-0553 Fax: 509-535-1493

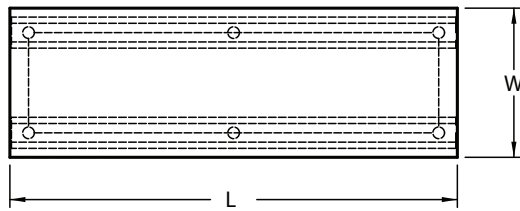
Website: www.sspinc.net
 Email: sspsales@elkay.com
 ©2011 Elkay

WT-BWTSSTGX16AUG2011

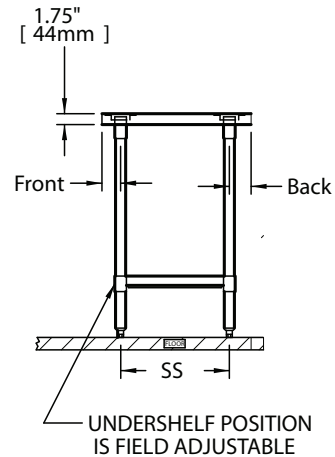
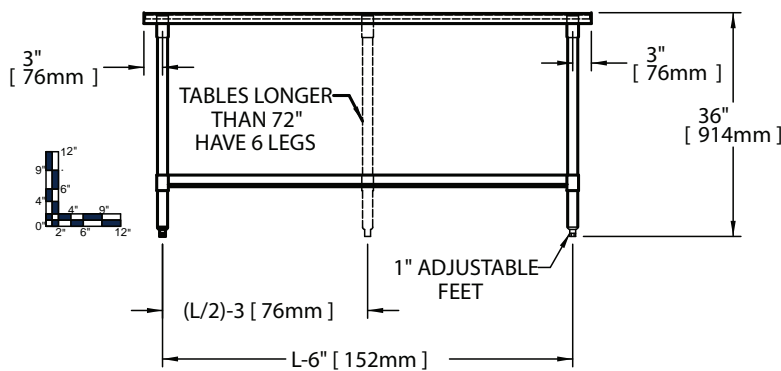
Page 1 of 2



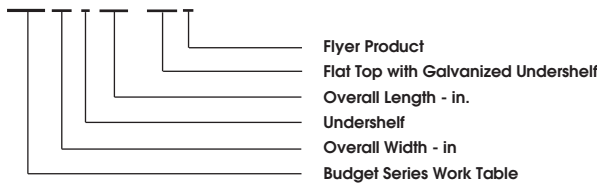
Item No.: _____ Qty.: _____
 Model No.: _____
 Project No.: _____



Size of Undershef:
 Common length = subtract 6" from length
 24" Width = subtract 6.5" from width
 30" Width = subtract 7.45" from width



24" Work Table					30" Work Table					Legs				
Model Number	Overall Size		Weight		Model Number	Overall Size		Weight						
	Length	Height				Length	Height							
	L	H	lbs.	kg		L	H	lbs.	kg					
in.	mm	in.	mm		in.	mm	in.	mm	lbs.	kg				
BWT 24 S 24 -STG X	24	610	36	914	74	34				4				
BWT 24 S 30 -STG X	30	762	36	914	87	40	BWT 30 S 30 -STG X	30	762	36	914	100	45	4
BWT 24 S 36 -STG X	36	914	36	914	98	45	BWT 30 S 36 -STG X	36	914	36	914	110	50	4
BWT 24 S 48 -STG X	48	1219	36	914	120	55	BWT 30 S 48 -STG X	48	1219	36	914	133	60	4
BWT 24 S 60 -STG X	60	1524	36	914	146	66	BWT 30 S 60 -STG X	60	1524	36	914	163	74	4
BWT 24 S 72 -STG X	72	1829	36	914	167	76	BWT 30 S 72 -STG X	72	1829	36	914	187	85	4
BWT 24 S 84 -STG X	84	2134	36	914	204	93	BWT 30 S 84 -STG X	84	2134	36	914	226	103	6
BWT 24 S 96 -STG X	96	2438	36	914	226	103	BWT 30 S 96 -STG X	96	2438	36	914	251	114	6
BWT 24 S 108 -STG X	108	2743	36	914	256	116	BWT 30 S 108 -STG X	108	2743	36	914	284	129	6
BWT 24 S 120 -STG X	120	3048	36	914	278	126	BWT 30 S 120 -STG X	120	3048	36	914	309	140	6



Elkay SSP
 421 N. Freya St.
 Spokane, WA 99205
 Phone: 800-726-0553 Fax: 509-535-1493

Website: www.sspinc.net
 Email: sspsales@elkay.com
 ©2011 Elkay