

Item No.:	_____	Qty.:	_____
Model No.:	_____		
Project No.:	_____		

Budget Series Work Table

Budget Work Table, Backsplash with Galvanized Undershef



24"

30"

36"

- | | | |
|--|--|--|
| <input type="checkbox"/> BWT24S24-BGX | <input type="checkbox"/> BWT30S30-BGX | <input type="checkbox"/> BWT36S36-BGX |
| <input type="checkbox"/> BWT24S30-BGX | <input type="checkbox"/> BWT30S36-BGX | <input type="checkbox"/> BWT36S48-BGX |
| <input type="checkbox"/> BWT24S36-BGX | <input type="checkbox"/> BWT30S48-BGX | <input type="checkbox"/> BWT36S60-BGX |
| <input type="checkbox"/> BWT24S48-BGX | <input type="checkbox"/> BWT30S60-BGX | <input type="checkbox"/> BWT36S72-BGX |
| <input type="checkbox"/> BWT24S60-BGX | <input type="checkbox"/> BWT30S72-BGX | <input type="checkbox"/> BWT36S84-BGX |
| <input type="checkbox"/> BWT24S72-BGX | <input type="checkbox"/> BWT30S84-BGX | <input type="checkbox"/> BWT36S96-BGX |
| <input type="checkbox"/> BWT24S84-BGX | <input type="checkbox"/> BWT30S96-BGX | <input type="checkbox"/> BWT36S108-BGX |
| <input type="checkbox"/> BWT24S96-BGX | <input type="checkbox"/> BWT30S108-BGX | <input type="checkbox"/> BWT36S120-BGX |
| <input type="checkbox"/> BWT24S108-BGX | <input type="checkbox"/> BWT30S120-BGX | |
| <input type="checkbox"/> BWT24S120-BGX | | |

Features

- 16 Gauge, 400 series stainless steel
- 4" Backsplash with 1" return
- Welded construction for consistent metal gauge thickness throughout
- Sound deadened between top and bottom hat channels with double sided tape
- 1-5/8" Galvanized legs with high impact plastic feet, adjustable up to 1"
- Fully adjustable galvanized undershef
- Shipped knock down for reduced shipping costs and supplied with Allen wrench and screws

Options

- Custom Height (if less than 36")
- Cutout in Top (depending on size and location)
- Overshelves
- Undershelves
- Casters / Feet Upgrade

* For additional available options, contact Elkay SSP

Materials

- **Top:** 16 Gauge, 400 series stainless steel, 1-3/4" turned-down edge
- **Legs:** 1-5/8" Diameter heavy gauge galvanized tubing with galvanized leg gussets and high impact plastic feet, adjustable up to 1"
- **Undershef:** Galvanized steel with 1-1/2" turned-down edge, fully adjustable

Flyer Product



AUTOQUOTES



In keeping with our policy of continuing product improvement, Elkay SSP reserves the right to change product specifications without notice.

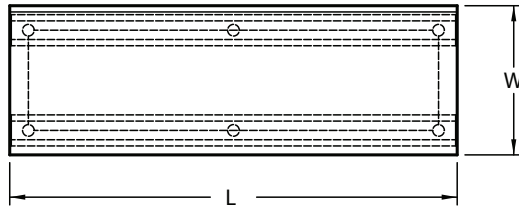
This specification describes an Elkay SSP product with design, quality and functional benefits to the user. When making a comparison of other producers' offerings, be certain these features are not overlooked.

Elkay SSP
 421 N. Freya St.
 Spokane, WA 99205
 Phone: 800-726-0553 Fax: 509-535-1493

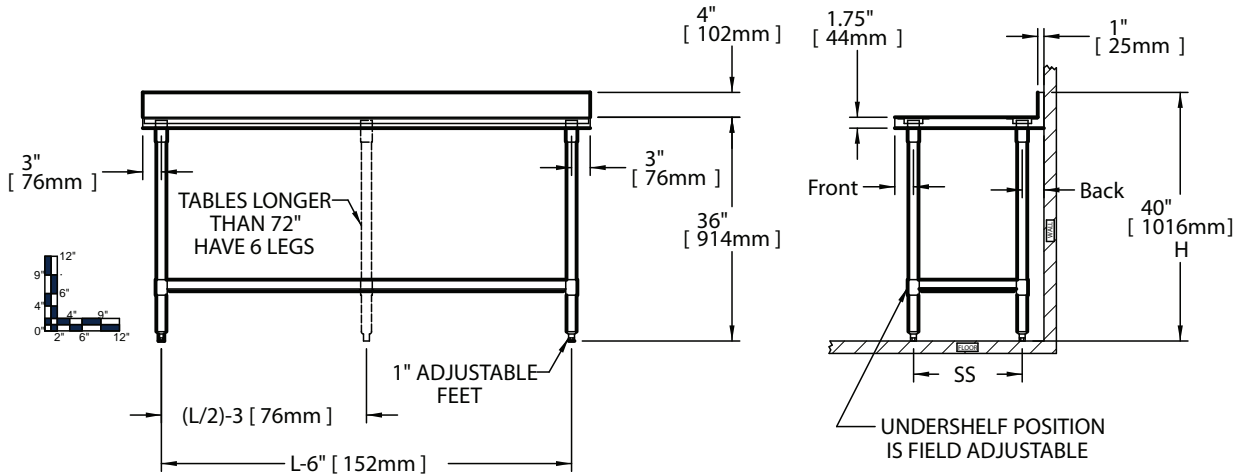
Website: www.sspinc.net
 Email: sspsales@elkay.com
 ©2011 Elkay



Item No.: _____ Qty.: _____
 Model No.: _____
 Project No.: _____



Size of Undershef:
 Common length = subtract 6" from length
 24" Width = subtract 6.5" from width
 30" Width = subtract 7.45" from width
 36" Width = subtract 10" from width



24" Work Table				30" Work Table				36" Work Table				Legs			
Model Number	Overall Size		Weight	Model Number	Overall Size		Weight	Model Number	Overall Size		Weight				
	Length L	Height H			Length L	Height H			Length L	Height H					
	in.	mm	lbs. kg		in.	mm	lbs. kg		in.	mm	lbs. kg				
BWT 24 S 24 - BG X	24	610	40 1016	79 36								4			
BWT 24 S 30 - BG X	30	762	40 1016	90 41	BWT 30 S 30 - BG X	30	762	40 1016	100 45			4			
BWT 24 S 36 - BG X	36	914	40 1016	101 46	BWT 30 S 36 - BG X	36	914	40 1016	113 51	BWT 36 S 36 - BG X	36	914	40 1016	128 58	4
BWT 24 S 48 - BG X	48	1219	40 1016	123 56	BWT 30 S 48 - BG X	48	1219	40 1016	137 62	BWT 36 S 48 - BG X	48	1219	40 1016	156 71	4
BWT 24 S 60 - BG X	60	1524	40 1016	150 68	BWT 30 S 60 - BG X	60	1524	40 1016	166 75	BWT 36 S 60 - BG X	60	1524	40 1016	191 87	4
BWT 24 S 72 - BG X	72	1829	40 1016	172 78	BWT 30 S 72 - BG X	72	1829	40 1016	191 87	BWT 36 S 72 - BG X	72	1829	40 1016	219 100	4
BWT 24 S 84 - BG X	84	2134	40 1016	209 95	BWT 30 S 84 - BG X	84	2134	40 1016	231 105	BWT 36 S 84 - BG X	84	2134	40 1016	264 120	6
BWT 24 S 96 - BG X	96	2438	40 1016	232 105	BWT 30 S 96 - BG X	96	2438	40 1016	257 117	BWT 36 S 96 - BG X	96	2438	40 1016	293 133	6
BWT 24 S 108 - BG X	108	2743	40 1016	262 119	BWT 30 S 108 - BG X	108	2743	40 1016	290 132	BWT 36 S 108 - BG X	108	2743	40 1016	331 150	6
BWT 24 S 120 - BG X	120	3048	40 1016	285 130	BWT 30 S 120 - BG X	120	3048	40 1016	315 143	BWT 36 S 120 - BG X	120	3048	40 1016	361 164	6

