



BAR DRAINERS

Perlick Features

- All stainless steel construction.

MODEL NOS.

TS Series

7055A8

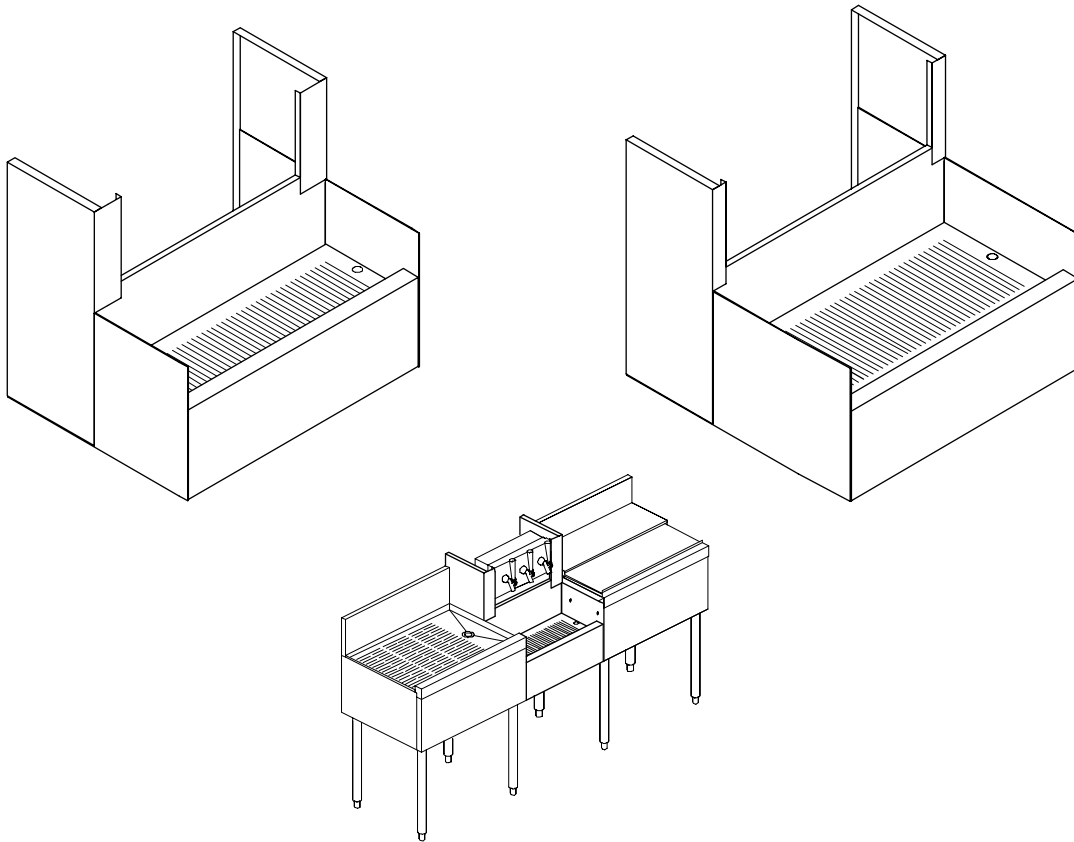
7055A9

MODEL NOS.

TSD Series

7055D8

7055D9



8300 West Good Hope Road • Milwaukee, WI 53223 • Phone 414-353-7060 • Fax 414-353-7069
Toll Free 800-558-5592 • E-Mail: Perlick@Perlick.com • www.Perlick.com

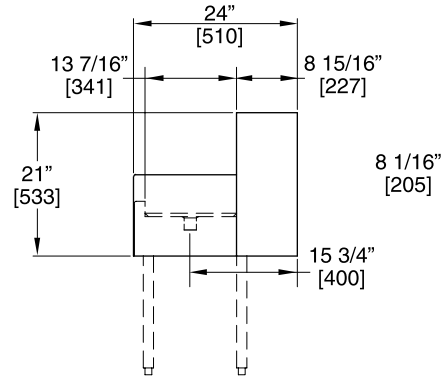
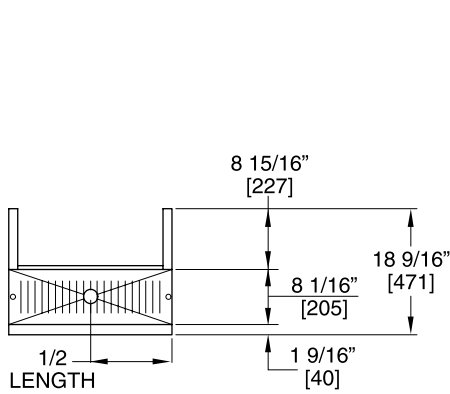
Form No. MM02
Rev. 03.30.05



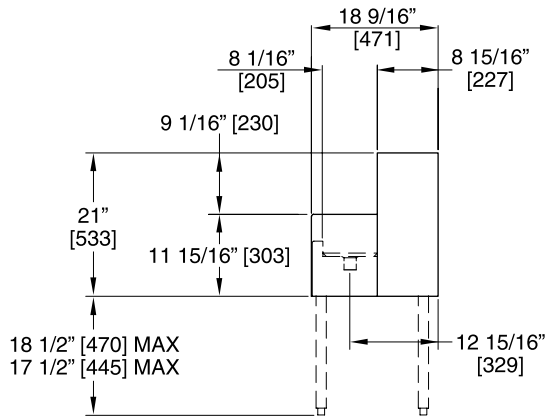
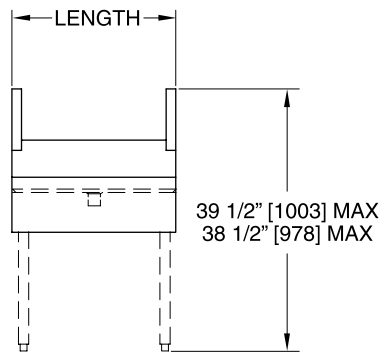
Sizes and Specifications Bar Drainers

Job _____
 Area _____
 Item No. _____
 Model No. _____

MODEL NOS.	7055A(D)8	7055A(D)9
LENGTH INS. (mm)	18" (457)	24" (610)
SHIP WT. lbs. (kg)	30 (14)	40 (18)
GENERAL PARTS	Stainless steel.	
LEGS (Optional)	1 5/8" tubular stainless steel with 1" adjustable thermoplastic foot.	
PLUMBING	Drain connection: 1 1/2" NPS male.	



TSD END VIEW



TS END VIEW



8300 West Good Hope Road • Milwaukee, WI 53223 • Phone 414-353-7060 • Fax 414-353-7069
 Toll Free 800-558-5592 • E-Mail: Perlick@Perlick.com • www.Perlick.com

Perlick is committed to continuous improvement.
 Therefore, we reserve the right to change specifications without prior notice.

Form No. MM02
 Rev. 03.30.05

A City Discount