

12" BLENDER STATION WITH SINK



MODELS

TS Series

TS12BLW

MODELS

TSD Series

TSD12BLW



Perlick Features

- Deep drawn stainless steel bowl.
- NSF listed, commercial grade hot/cold water faucet (must be ordered separately).
- Underside is sound-deadened.
- Convenient front-mounted shelf with access hole for electrical cord.
- Stainless steel legs install without tools and have "Rust Free" Thermoplastic feet.



GENERATIONS OF
EXCELLENCE

Form No. BL01
Rev. 09.19.2011



8300 West Good Hope Road • Milwaukee, WI 53223 • Phone 414.353.7060 • Fax 414.353.7069
Toll Free 800.558.5592 • E-Mail perlick@perlick.com • www.perlick.com

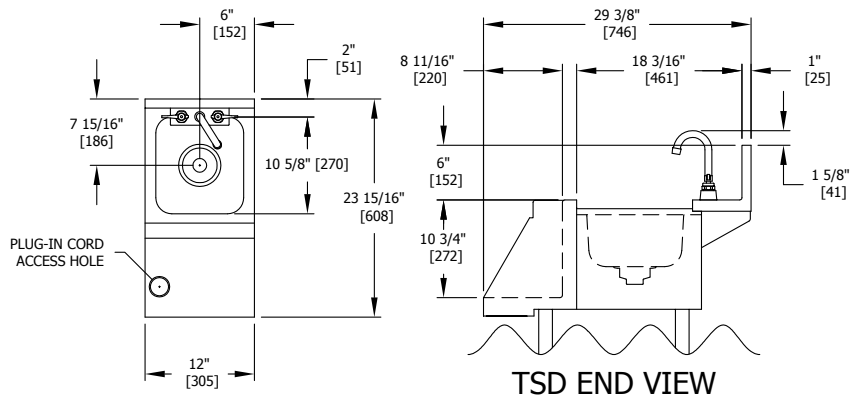
Size and Specifications

12" Blender Station with Sink

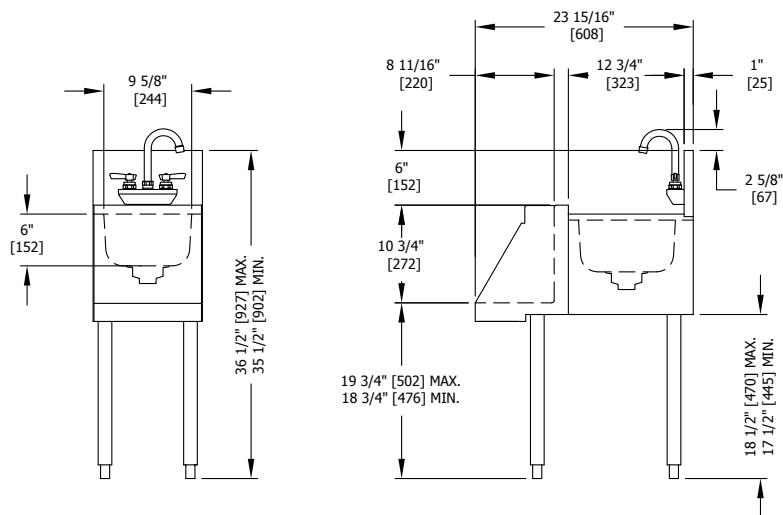


Job _____
 Area _____
 Item No. _____
 Model No. _____

MODEL NOS.	TS(D)12BLW
LENGTH IN. (mm)	12" (305)
SHIP WT. lbs. (kg)	45 (20)
TOP & SHELF	Stainless steel. Shelf includes access hole for plug-in cord
BACK & BOTTOM	Stainless steel
BACKSPLASH	Stainless steel 6" high (4" high optional) with 1" return at top, mechanically fastened and sealed with steel support brackets. TSD Series: Stainless steel rear deck.
LEGS	1-5/8" tubular, stainless steel with 1" adjustable thermoplastic foot.
BOWL	Stainless steel with sound deadening. All horizontal and vertical edges 1-3/4" radius with balled corners. Furnished with 1-1/2" stainless steel drain socket and duo-strainer. 10-5/8" x 9-5/8" x 6" deep.
WATER FAUCET	Chrome plated, hot and cold, goose-neck faucet. Heavy-duty all brass construction. Must be ordered separately. Lead free Faucet also available.
PLUMBING	Drain-connection- 1-1/2" NPS Male. Hot and cold water connection: TS Series: 3/8" O.D. copper supply tubes. TSD Series: 1/2" IPS shanks and nuts.
ELECTRIC	Duplex outlet included, but not installed.



**Faucet shown for clarity; must be ordered separately*



Form No. BL01
 Rev. 09.19.2011



8300 West Good Hope Road • Milwaukee, WI 53223 • Phone 414.353.7060 • Fax 414.353.7069
 Toll Free 800.558.5592 • E-Mail perlick@perlick.com • www.perlick.com

Perlick is committed to continuous improvement. Therefore, we reserve the right to change specifications without prior notice