



BLENDER STATION WITHOUT SINK

Perlick Features

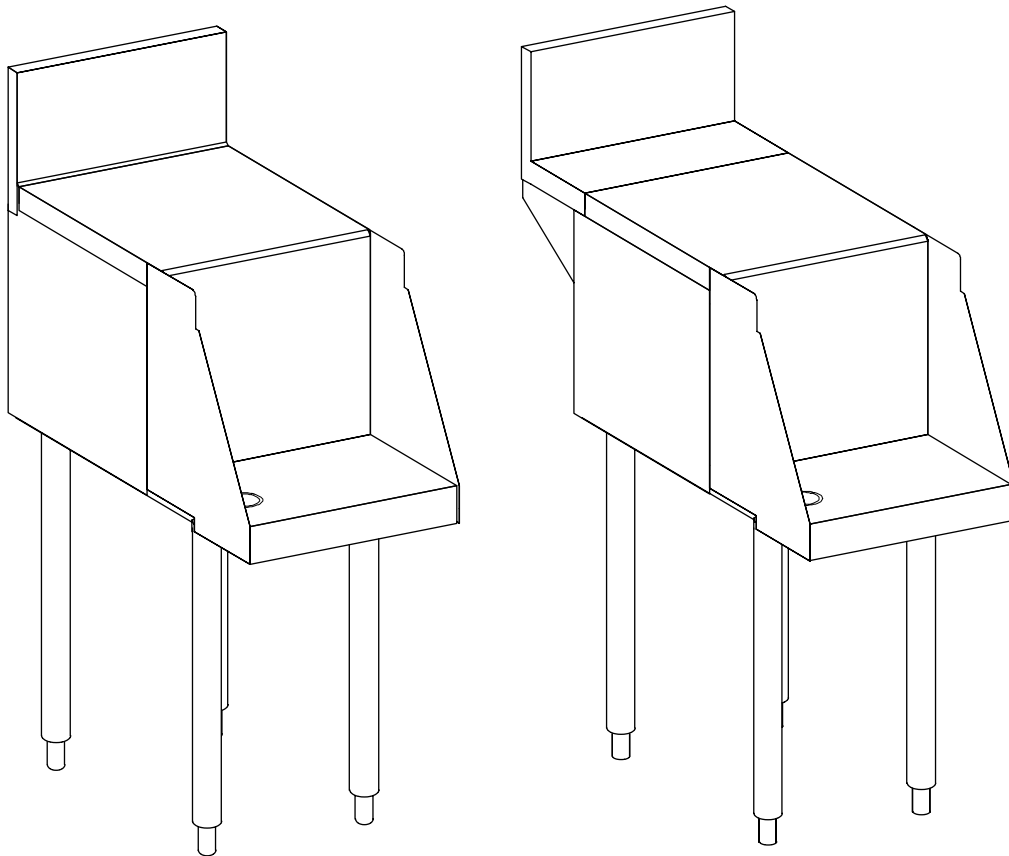
- Convenient front-mounted shelf with access hole for electrical cord.
- Stainless steel legs install without tools and have "Rust Free" Thermoplastic feet.

MODEL NOS.

- TS Series
- TS12BLD
 - TS18BLD

MODEL NOS.

- TSD Series
- TSD12BLD
 - TSD18BLD



8300 West Good Hope Road • Milwaukee, WI 53223 • Phone 414-353-7060 • Fax 414-353-7069
Toll Free 800-558-5592 • E-Mail: Perlick@Perlick.com • www.Perlick.com

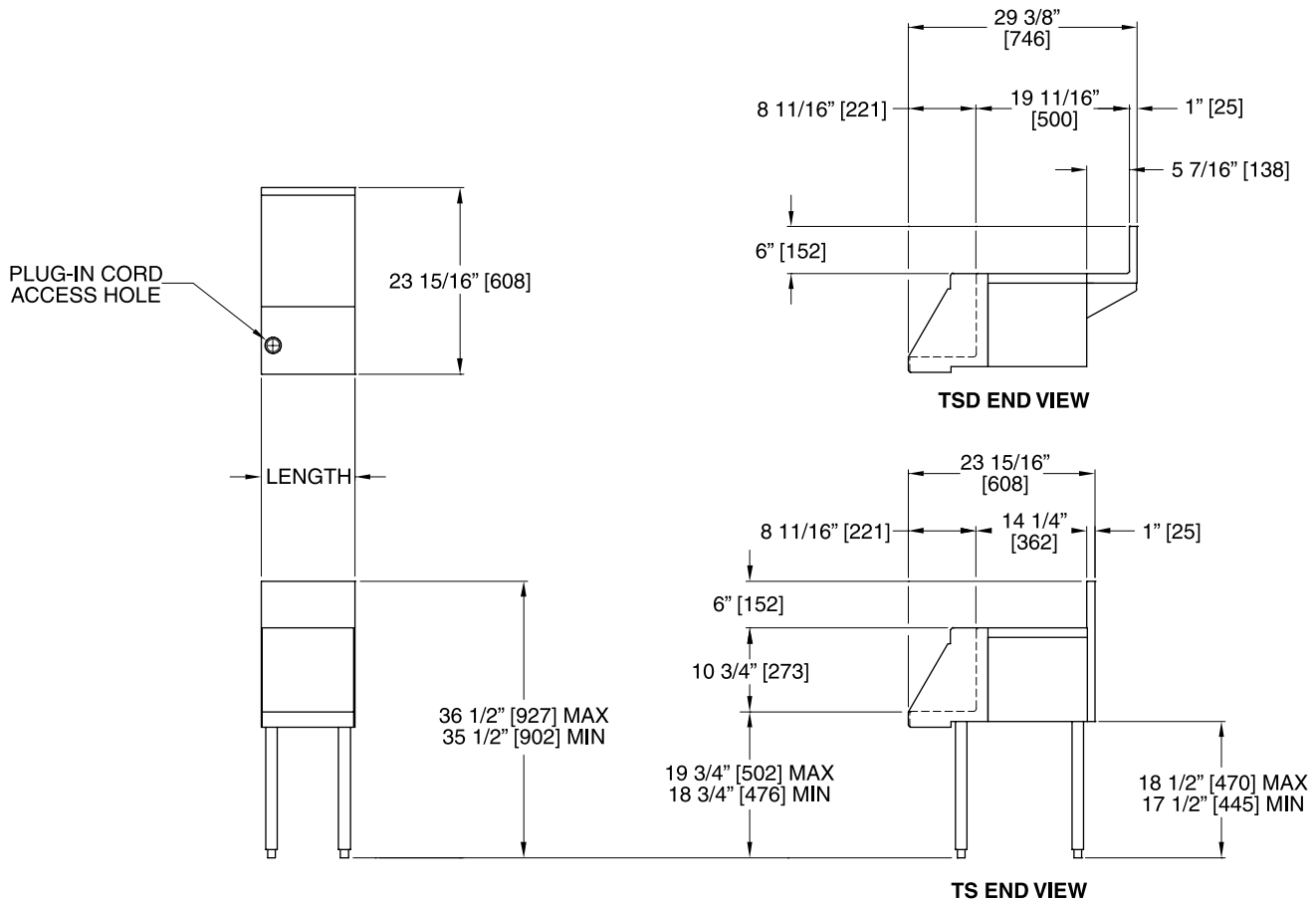
Form No. BL04
Rev. 03.30.05



Sizes and Specifications Blender Station without Sink

Job _____
 Area _____
 Item No. _____
 Model No. _____

MODEL NOS.	TS(D)12BLD	TS(D)18BLD
LENGTH INS. (mm)	12" (305)	18" (457)
SHIP WT lbs. (kg)	45 (20)	55 (25)
TOP & SHELF	Stainless steel. Shelf includes access hole for plug-in cord.	
BACK & BOTTOM	Galvanized steel.	
BACKSPLASH	General and TS Series: Stainless steel 6" high (4" high optional) with 1" return at top, mechanically fastened and sealed with steel support brackets. TSD Series: Stainless steel rear deck.	
LEGS	1 ⁵ / ₈ " tubular, stainless steel with 1" adjustable thermoplastic foot.	
ELECTRIC	Duplex outlet included, but not installed.	



8300 West Good Hope Road • Milwaukee, WI 53223 • Phone 414-353-7060 • Fax 414-353-7069
 Toll Free 800-558-5592 • E-Mail: Perlick@Perlick.com • www.Perlick.com

Perlick is committed to continuous improvement.
 Therefore, we reserve the right to change specifications without prior notice.

Form No. BL04
 Rev. 03.30.05

A City Discount