

Antimicrobial Hand Sinks

Hand Sinks



APHS-W1410-BE



APHS-W1410-1BSEF

Features:

- Integral baffles offer extra rigidity and support
- Textured finish resists scratches and abrasions
- 100% Recyclable

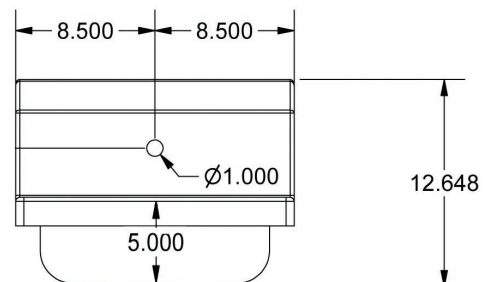
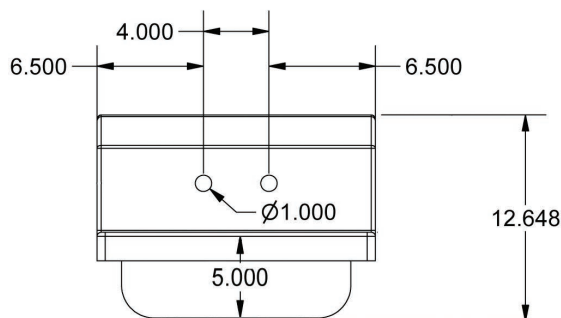
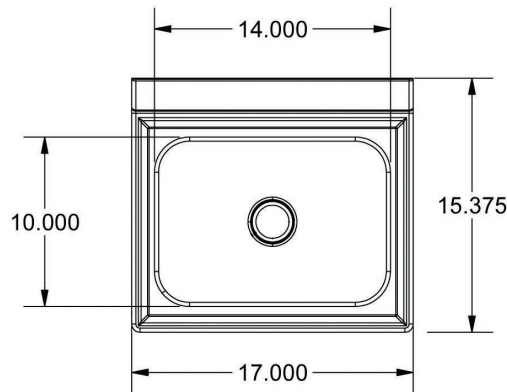
Material:

- Injection Molding High Density Polyethylene (HDPE)
- Infused with an Inorganic Antimicrobial Agent

APHS-W1410-WBBE is our full packaged kit that includes:

- Evolution Stainless Steel 4" Gooseneck Faucet
- Color Coded Waterline Connections
- Full Color P.O.P. Box
- Blue Hand & Nail Brush

| MODEL | Included Faucet | Faucet Holes | Bowl Size | UNIT SIZE (l x w) |
|------------------|-----------------|--------------|----------------|-------------------|
| APHS-W1410-2B | N/A | 2 | 14" x 10" x 5" | 15 3/8" x 17" |
| APHS-W1410-1B | N/A | 1 | 14" x 10" x 5" | 15 3/8" x 17" |
| APHS-W1410-WBBE | EVO-4SM-4G | 2 | 14" x 10" x 5" | 15 3/8" x 17" |
| APHS-W1410-BE | EVO-4SM-4G | 2 | 14" x 10" x 5" | 15 3/8" x 17" |
| APHS-W1410-BPG | BKF-W-3G-G | 2 | 14" x 10" x 5" | 15 3/8" x 17" |
| APHS-W1410-1BSEF | BKF-SEF-3G | 1 | 14" x 10" x 5" | 15 3/8" x 17" |



PRODUCT DATA SHEET

BK RESOURCES

