



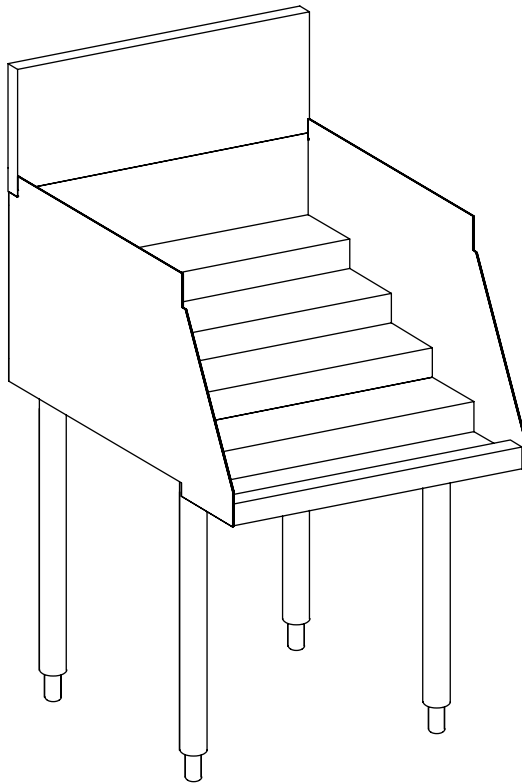
STORAGE BINS FOR LIQUOR

Perlick Features

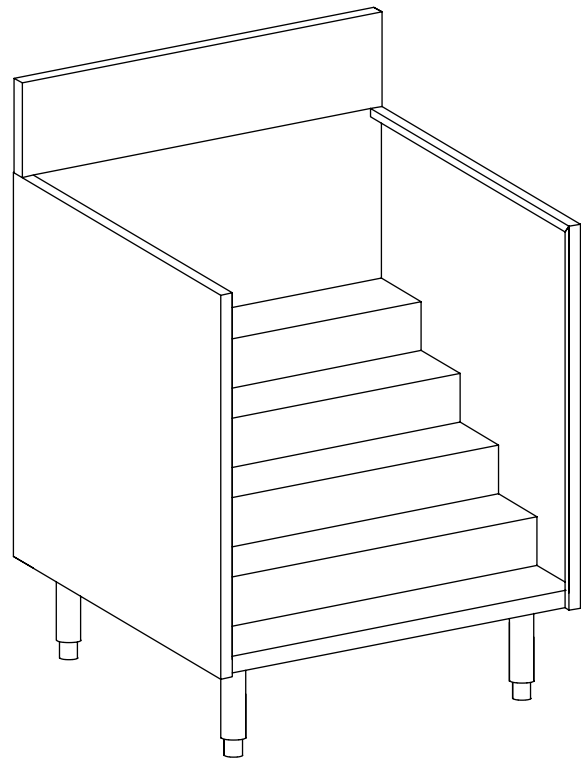
- Solid stainless steel steps without gaps.

MODEL NOS.

- TS12LS
- TS18LS
- TS24LS
- 7055A3



TS18LS



7055A3



8300 West Good Hope Road • Milwaukee, WI 53223 • Phone 414-353-7060 • Fax 414-353-7069
Toll Free 800-558-5592 • E-Mail: Perlick@Perlick.com • www.Perlick.com

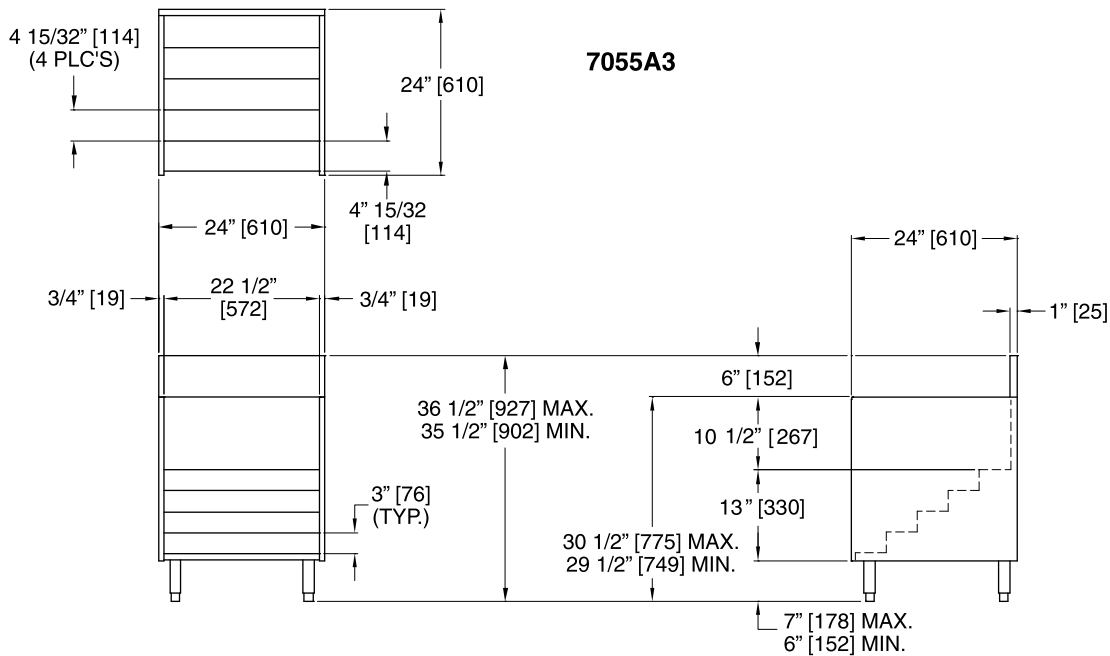
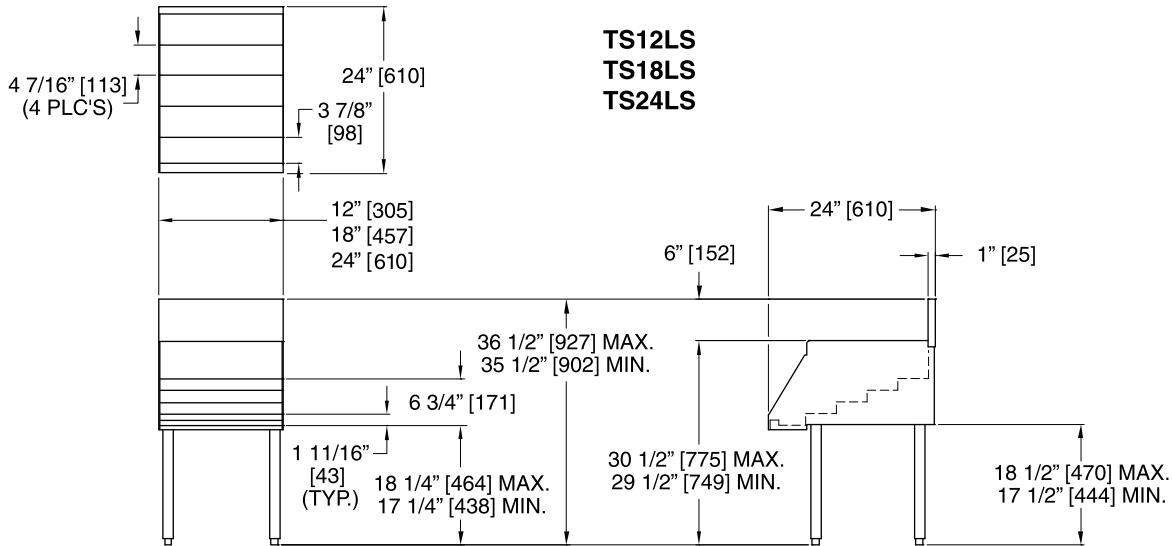
Form No. SB02
Rev. 03.30.09



Sizes and Specifications Storage Bins for Liquor

Job _____
 Area _____
 Item No. _____
 Model No. _____

| MODEL NOS. | TS12LS | TS18LS | TS24LS | 7055A3 |
|-------------------|---|-----------|-----------|-----------|
| Length Ins. (mm) | 12" (305) | 18" (457) | 24" (610) | 24" (610) |
| Ship wt lbs. (kg) | 30 (14) | 35 (16) | 40 (18) | 40 (18) |
| general PARTS | Stainless steel. | | | |
| Backsplash | Stainless steel 6" high (4" high optional) with 1" return at top, mechanically fastened and sealed with steel support brackets. | | | |
| Legs | Models TS12LS, TS18LS and TS24LS: 1 ⁵ / ₈ " tubular, stainless steel with 1" adjustable thermo-plastic foot. Model 7055A3: 1 ⁵ / ₈ " tubular, stainless steel with 1" adjustable stainless steel foot. | | | |



8300 West Good Hope Road • Milwaukee, WI 53223 • Phone 414-353-7060 • Fax 414-353-7069
 Toll Free 800-558-5592 • E-Mail: Perlick@Perlick.com • www.Perlick.com

Perlick is committed to continuous improvement.
 Therefore, we reserve the right to change specifications without prior notice.

Form No. SB02
 Rev. 03.30.09

A City Discount