

# FAST CUP, 208-240V 60HZ

Height: 33.5" Width: 16.8" Depth: 24.4"  
(85.1cm) (42.7cm) (62.0cm)



- Freshly ground and hot brewed coffee, one fast, excellent cup at a time
- Expand your menu with a refreshing selection that is ready to be iced
- Large full color 10" touchscreen creates an easy to follow experience for every user
- Promote your brand by uploading your own graphics and videos
- Simple navigation screens such as Picture Prompted Cleaning makes routine care of the Fast Cup a snap for your staff
- Practically no coffee waste – the Fast Cup bean to cup system delivers individual cups of fresh coffee. What they want / when they want it.
- Automated grinding, brewing and managing spent grounds frees up your staff to spend time with your customers

Agency:



## Specifications

**Product #:** 55400.0106

**Finish:** Stainless/Black

**Hoppers:** Three

**Hopper Capacity:** 3.00 lbs (1.361 kgs)

**Dispense:** Portion Control

**Legs:** 4" Satin Nickel Legs

**Water Access:** Plumbed

## Additional Features

Hot Water Button

## Electrical & Capacity

Volts*	Amps	Watts	Cord Attached	Plug Type	8oz cups/hr 236ml cups/hr	Input H <sup>2</sup> O Temp.	Phase	# Wires plus Ground	Hertz
208-240	24.0	5200	Yes	NEMA L6-30P	63	60°F (15.5°C)	1	2	60

\*When a BUNN is machine rated 120/208-240V, 120/208V or 120/240V, the higher voltage is the supply voltage needed to power the machine. The 120V is there to supply power to some components rated 120V in the machine, but it is not the supply voltage and would not power the machine if the machine is marked with the before mentioned ratings.

## Plumbing Requirements

PSI	kPa	Fitting Supplied	Water Flow Required (GPM)
20-90	138-621	3/8" Male Flare Fitting	1.00

## CAD Drawings

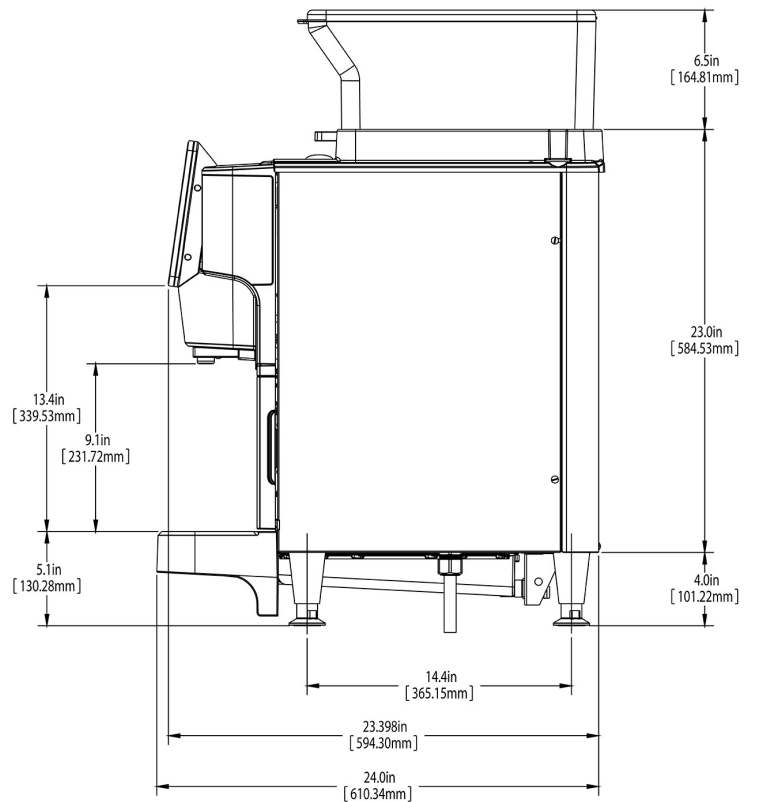
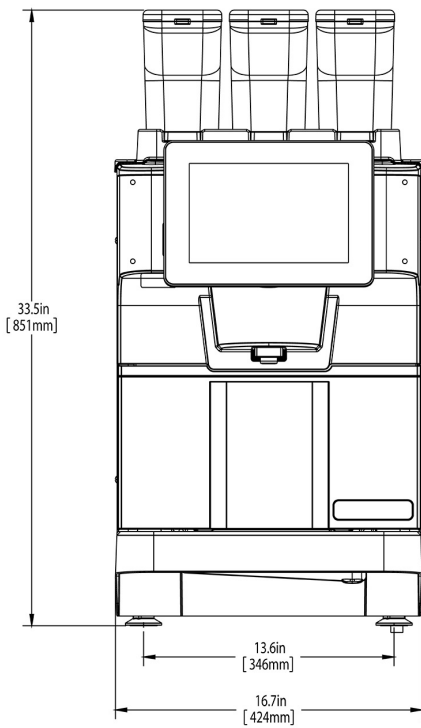
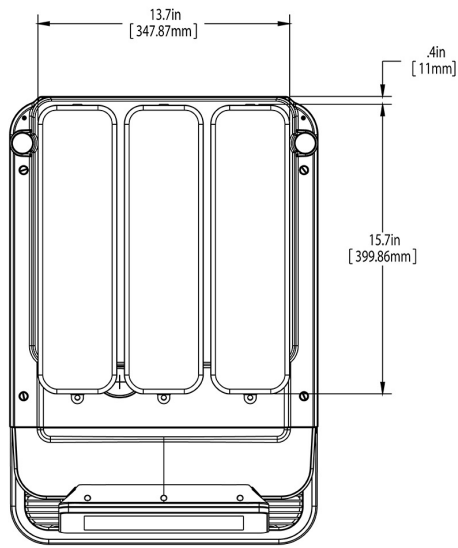
2D	Revit	KLC
●	●	●

**WARNING:**



BUNN® reserves the right to change specifications and product design without notice. Such revisions do not entitle the buyer to corresponding changes, improvements, additions or replacements for previously purchased equipment. For most current specifications and other info visit [bunn.com](http://bunn.com).

Last Updated:  
04/23/2024



	Unit			Shipping				
	Height	Width	Depth	Height	Width	Depth	Weight	Volume
English	33.5 in.	16.8 in.	24.4 in.	41.0 in.	23.5 in.	33.8 in.	181.000 lbs	18.606 ft <sup>3</sup>
Metric	85.1 cm	42.7 cm	62.0 cm	104.1 cm	59.7 cm	85.7 cm	82.102 kgs	0.527 m <sup>3</sup>



BUNN® reserves the right to change specifications and product design without notice. Such revisions do not entitle the buyer to corresponding changes, improvements, additions or replacements for previously purchased equipment. For most current specifications and other info visit [bunn.com](http://bunn.com).

Last Updated:  
04/23/2024

## Related Products & Accessories:FAST CUP, 208-240V 60HZ(55400.0106)



BRUSH, ANGLED 12  
INCH

Product #: 47745.0000

KIT, CLEANING TUBE

Product #: 48236.1001



SYSTEM, WEQ-10(1.5)5L

Product #: 56000.0024



SYSTEM, WEQ-SCALE-  
PRO.X

Product #: 56000.0033



FILTER HEAD, WEQ-  
SCALE-PRO.X

Product #: 56000.0038



CARTRIDGE, WEQ-  
SCALE-PRO.X

Product #: 56000.0120



CARTRIDGE, WEQ-10  
(1.5)5L

Product #: 56000.0121



CARTRIDGE, WEQ-10  
(1.5)5

Product #: 56000.0122



HEAD ASSEMBLY, WEQ-  
SINGLE

Product #: 56000.0201



BUNN® reserves the right to change specifications and product design without notice. Such revisions do not entitle the buyer to corresponding changes, improvements, additions or replacements for previously purchased equipment. For most current specifications and other info visit [bunn.com](http://bunn.com).

Last Updated:  
04/23/2024

# Serving & Holding Options: FAST CUP, 208-240V 60HZ(55400.0106)

\*Serving and Holding selections are currently unavailable. Please contact your sales representative to find out more information.\*



BUNN® reserves the right to change specifications and product design without notice. Such revisions do not entitle the buyer to corresponding changes, improvements, additions or replacements for previously purchased equipment. For most current specifications and other info visit [bunn.com](http://bunn.com).

Last Updated:  
04/23/2024