



PIZZA PREP TABLES

- Beautiful Ergonomic Construction
- All Stainless Steel Exterior & Interior
- Recessed Door Handles
- Forced Air Refrigeration System with Raised Pan Rail
- 19 1/2" Deep Poly Cutting Board
- Side Mount Compressor for Improved Efficiencies
- Electro-mechanical thermostat
- (2) Locking, (2) Non-locking Casters
- 1 Year Parts & Labor Warranty
- 5 Years Compressor Warranty
- Refrigerators Temp Range: 33°F (~) 41°F
- Pans Not Included, Sold Separately

Call Toll Free: 800 852 5292
 Web: www.migali.com

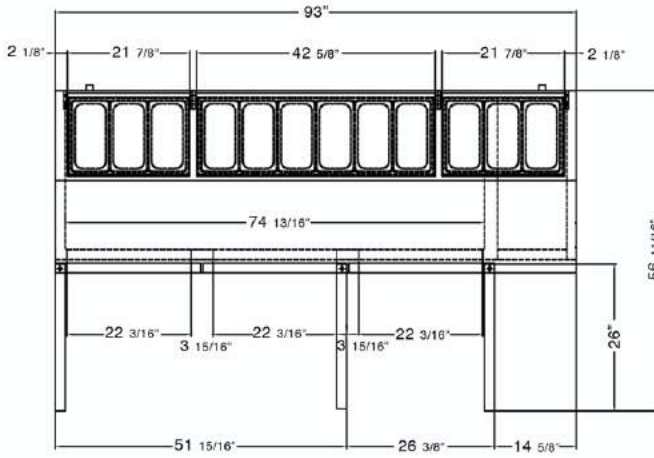
CERTIFICATIONS		MEDIA	
Conforms to NSF 7 Foodservice			

Model	Doors	Cu/Ft	Shelves	H/P	Amps	Voltage	Weight (lbs)	Energy Consumption Kwh/24Hr	Cabinet Construction WxDxH (inches)
REFRIGERATORS									
C-PP44	1	14	1	1/3	4.4	115/60/1	309	2.9	44 x 33 x 40.7
C-PP67	2	20	2	2/3	7.6	115/60/1	550	3.9	67 x 33 x 40.7
C-PP93	3	26	3	2/3	9	115/60/1	697	4.8	93 x 33 x 40.7

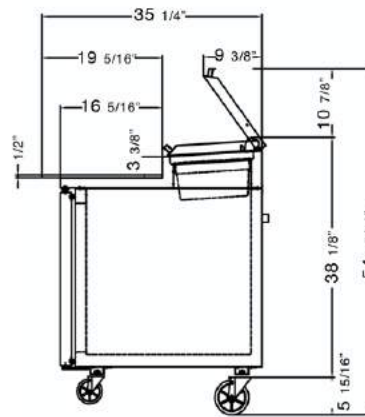
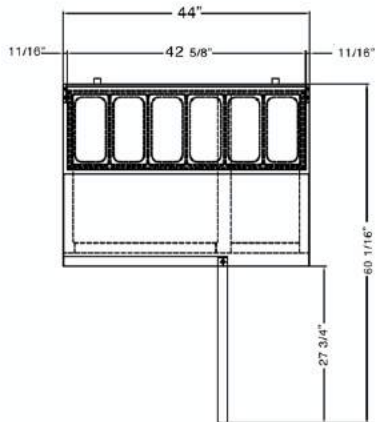
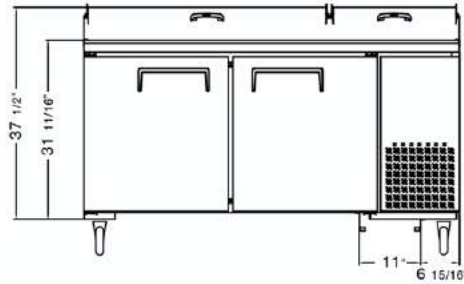
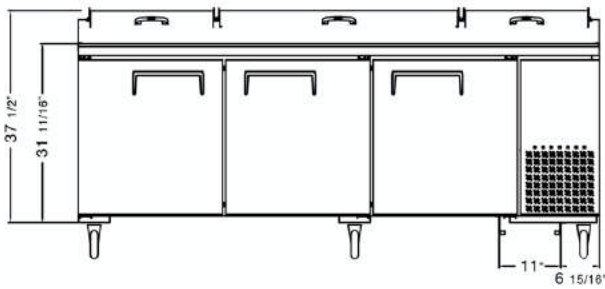
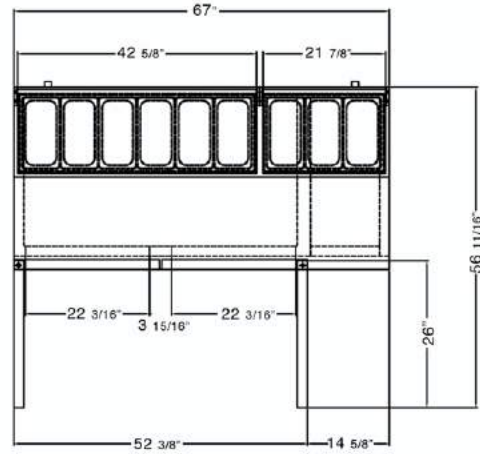
* DRAWER MODELS AVAILABLE WITH CONTAINER ORDERS ONLY

PLAN VIEWS

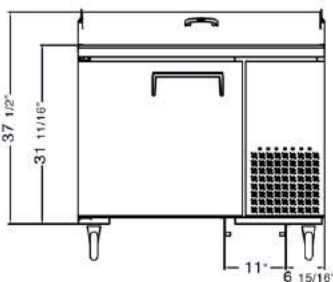
C-PP93



C-PP67



SIDE VIEW



T: 800.852.5292
F: 856.963.3604
E: contact@migali.com
W: www.migali.com