



[ C-1R / C-1F ]



[ \*C-3R / \*C-3F ]



[ C-2R / C-2F ]

### REACH-IN REFRIGERATORS & FREEZERS

- Beautiful Ergonomic Construction
- All Stainless Steel Exterior & Interior
- Recessed Door Handles
- Forced Air Refrigeration System
- Top Mount Compressor for Improved Efficiencies
- Digital Controller for Precise Temperature Ranges
- Door Locks
- (2) Locking, (2) Non-locking Casters
- 1 Year Parts & Labor Warranty
- 5 Years Compressor Warranty
- Refrigerators Temp Range: 33°F (~) 41°F
- Freezers Temp Range: -10°F (~) 0°F

Call Toll Free: 800 852 5292  
 Web: [www.migali.com](http://www.migali.com)

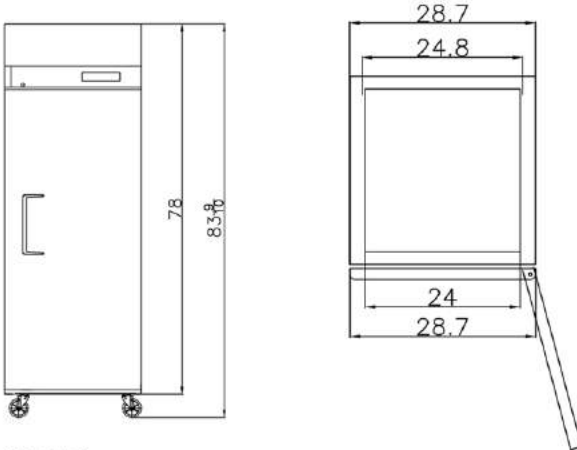
CERTIFICATIONS	MEDIA
<p>Conforms to NSF 7 Foodservice</p>	

Model	Doors	Cu/Ft	Shelves	H/P	Amps	Voltage	Weight (lbs)	Energy Consumption Kwh/24Hr	Cabinet Construction WxDxH (inches)
<b>REFRIGERATORS</b>									
C-1R	1	23	3	1/4	3.5	115/60/1	254	4	28.7 x 33.2 x 83.8
C-2R	2	49	6	1/3	5.6	115/60/1	419	5.5	51.7 x 33.2 x 83.8
C-3R*	3	72	9	1/2	7.6	115/60/1	617	N/A	77.8 x 33.2 x 83.8
<b>FREEZERS</b>									
C-1F	1	23	3	1/2	6.7	115/60/1	265	10	28.7 x 33.2 x 83.8
C-2F	2	49	6	3/4	10.3	115/60/1	441	15	51.7 x 33.2 x 83.8
C-3F*	3	72	9	1-1/4	9.6	230/60/1	630	N/A	77.8 x 33.2 x 83.8

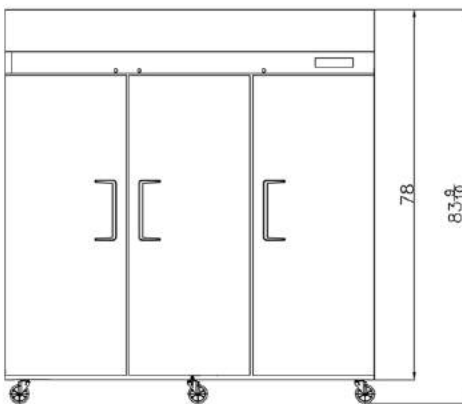
\* 3 DOOR MODELS & HALF DOOR MODELS AVAILABLE WITH CONTAINER ORDERS ONLY

## PLAN VIEWS

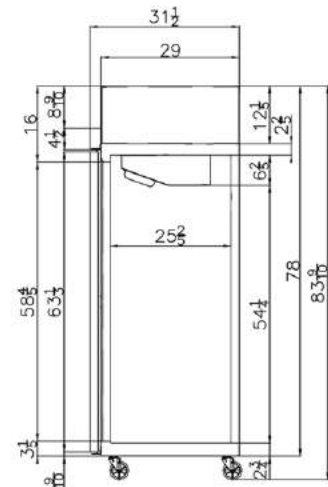
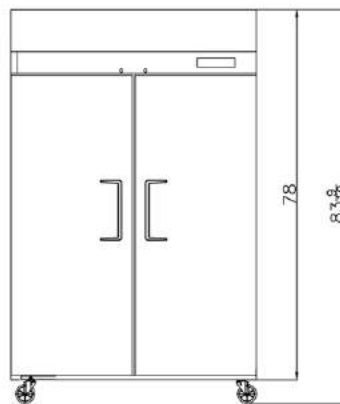
C-1R  
C-1F



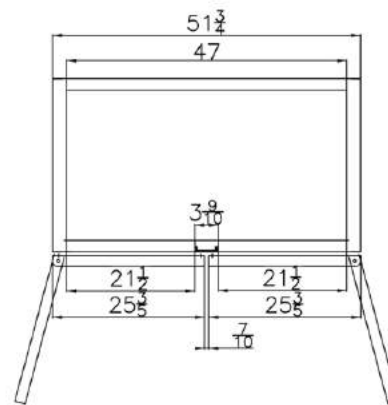
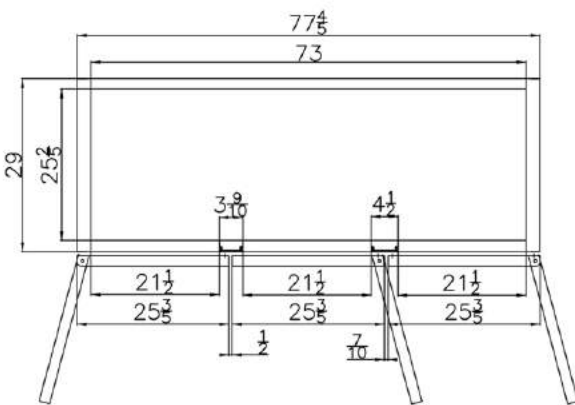
C-3R  
C-3F



C-2R  
C-2F



SIDE VIEW



T: 800.852.5292  
F: 856.963.3604  
E: [contact@migali.com](mailto:contact@migali.com)  
W: [www.migali.com](http://www.migali.com)