

C0522 – 500 lb Cube Ice Machine

Prodigy® Modular Cube Ice Maker



Shown on B3225 bin with optional KLP85 legs.

Features

Prodigy® cubers use **significantly less energy and water** than other cube ice machines, exceeding California and Federal energy efficiency regulations.

AutoAlert™ indicator lights constantly communicate about operating status and actually signal your staff when it's time to descale, sanitize, and more—making upkeep practically foolproof.

The patented **WaterSense adaptive purge control** delivers maximum reliability by reducing scale buildup for a longer time between cleanings.

Preventative maintenance is simpler than ever with easily-removed panels allowing clear access to internal components and a diagnostic code display insuring the right fix the first time. Reusable air filter is easily removable from the outside.

All external panel components are crafted for **optimal aesthetic appeal** through superior fit and finish.

An optional **advanced feature Smart-Board™** provides NAFEM data protocol and additional operational data that can be displayed on-screen or transmitted remotely, resulting in early alert and fast diagnosis of operating issues.

An optional **Vari-Smart™ ultrasonic ice level control** sensor allows you flexibility to program ice levels, for up to 7 days, keeping just the right amount of freshly made ice in the bin.

24 Hour Volume Production

| Air Cooled | | | Remote | | | Water Cooled | | |
|---------------------------------|--------------|--|---------------------------------|--------------|--|---------------------------------|--------------|--|
| 70°F/21°C 50°F/10°C lb/kg | Air Water | ARI 90°F/32°C 70°F/21°C lb/kg | 70°F/21°C 50°F/10°C lb/kg | Air Water | ARI 90°F/32°C 70°F/21°C lb/kg | 70°F/21°C 50°F/10°C lb/kg | Air Water | ARI 90°F/32°C 70°F/21°C lb/kg |
| 475/216 | | 380/160 | 517/235 | | 460/209 | 549/250 | | 480/218 |



Modular Bin Options

| Model Number | Dimensions W" x D" x H" | ARI Certified Bin Capacity lb/kg | Application Capacity lb/kg | Finish | Ship Weight lb/kg |
|--------------|----------------------------|--|----------------------------------|--------|----------------------|
| B2225 | 22 x 34 x 32 | 190/86 | 242/110 | SS | 120/55 |
| B3225 | 22 x 34 x 44 | 290/132 | 370/168 | SS | 140/64 |



Bin: B2225

Cube Ice



Small Cube
3/8" x 3/8" x 3/8"
(2.22 x 2.22 x .95 cm)

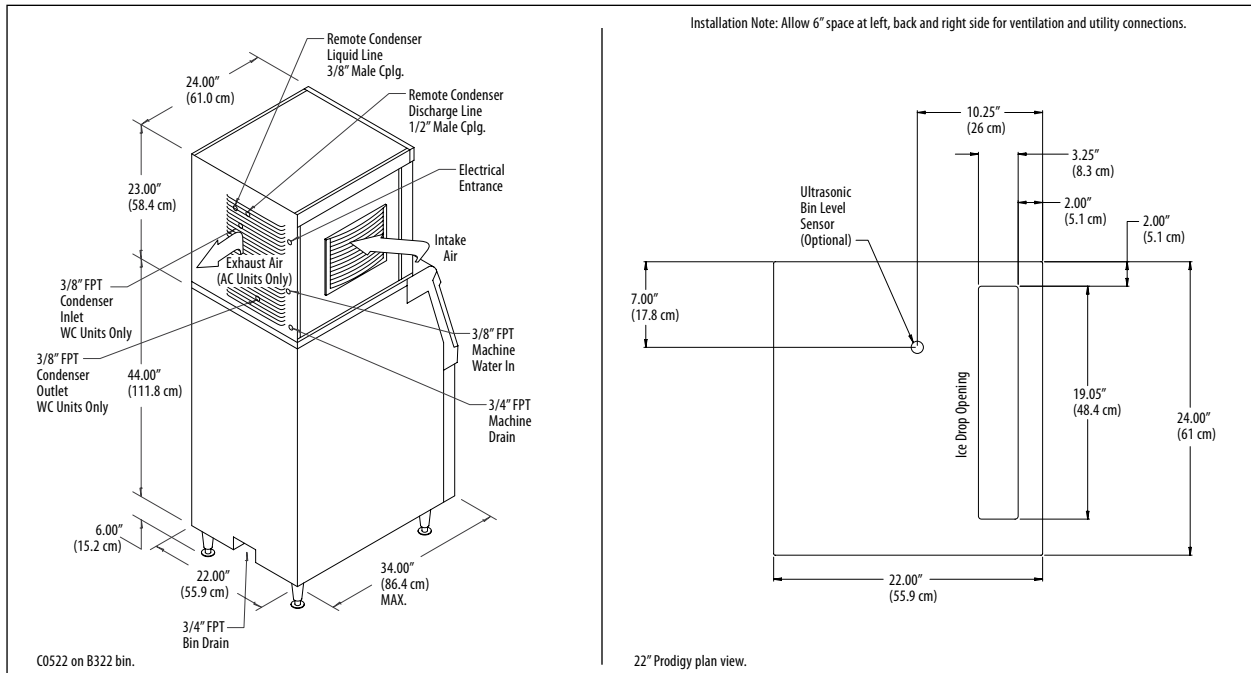
Medium Cube
7/8" x 7/8" x 7/8"
(2.22 x 2.22 x 2.22 cm)

Common ice form, ideal for mixed drinks.

Warranty

- 3 years parts and labor on all components.
- 5 years parts and labor on the evaporator.
- 5 years parts on the compressor and condenser.

Warranty valid in North, South & Central America. Contact factory for warranty in other regions.



Specifications

| Model Number* <small>Cube Size: medium or small</small> | Condenser Unit | Basic Electrical Volts/Hz/Phase | Max. Fuse Size or HACR Circuit Breaker (amps) | Circuit Wires | Min. Circuit Ampacity | Energy Consumption kWh/100 lb (45.4 kg) 90°F(32°C)/70°F(21°C) | Water Usage Gallons/100 lb (liters/45.4 kg) | |
|--|----------------|------------------------------------|---|------------------|--------------------------|---|--|--|
| | | | | | | | Potable 90°F(32°C)/ 70°F(21°C) | Condenser 90°F(32°C)/ 70°F(21°C) |
| pair C0522MA-1A C0522MR-1A C0522MW-1A | Air | 115/60/1 | 15 | 2 | 13.8 | 6.7 | 18.5/70.2 | - |
| | Remote | 115/60/1 | 15 | 2 | 14.9 | 6.5 | 18.2/69.0 | - |
| | Water | 115/60/1 | 15 | 2 | 12.2 | 4.7 | 18.4/69.7 | 160.0/605.7 |
| unit C0522SA-1A C0522SR-1A C0522SW-1A | Air | 115/60/1 | 15 | 2 | 13.8 | 6.7 | 18.5/70.2 | - |
| | Remote | 115/60/1 | 15 | 2 | 14.9 | 6.5 | 18.2/69.0 | - |
| | Water | 115/60/1 | 15 | 2 | 12.2 | 4.7 | 18.4/69.7 | 160.0/605.7 |

* 208-230/60/1 Voltage - Substitute "-32" in place of "-1", i.e. C0522SA-32A.

All Models

Dimensions (W x D x H):
Unit:
22" x 24" x 23"
(55.9 x 61.0 x 58.4 cm)

Shipping Carton:
25.5" x 27.5" x 28"
(64.8 x 69.9 x 71.1 cm)

Shipping Weight:
160 lb / 73 kg

BTUs per hour:
7,900

Accessories

| Model Number | Description |
|--------------|---|
| KVS | Vari-Smart™ Ice Level Control - Program ice bin levels to match ice needs. |
| KSB | Smart-Board™ Advanced Control - Use additional operational data for fast diagnosis. |
| KSB-N | Smart-Board™ Advanced Control with Network - Network capable. |
| ERC111-1A | Remote Condenser for C0522xR, 115/60/1 - Consult Remote Condenser Spec Sheet for details. |
| RTE10 | Line set, Precharged, R-404A, 10ft. |
| RTE25 | Line set, Precharged, R-404A, 25ft. |
| RTE40 | Line set, Precharged, R-404A, 40ft. |
| RTE75 | Line set, Precharged, R-404A, 75ft. |

* Scotsman recommends all ice machines have water filtration. See Scotsman Sanitation Matrix for details.

Operating Requirements

| | Minimum | Maximum |
|--------------------|-------------------|-------------------|
| Air Temperatures | 50°F (10°C) | 100°F (38°C) |
| Water Temperatures | 40°F (4.4°C) | 100°F (38°C) |
| Remote Cond. Temps | -20°F (-29°C) | 120°F (49°C) |
| Water Pressures | 20 PSIG (1.4 bar) | 80 PSIG (5.5 bar) |
| Electrical Voltage | -10% | +10% |

Specifications and design are subject to change without notice.

Scotsman Ice Systems
775 Corporate Woods Parkway
Vernon Hills, IL 60061

1-800-SCOTSMAN
Fax: 847-913-9844
E-mail: customer.service@scotsman-ice.com

www.scotsman-ice.com