

TABLE MODS

Smart Table Modifications

Size Modifications

- _____ **TA-33**Special Working Height
- _____ **TA-59**36" Wide Equipment Stand
- _____ **TA-6**Extra Length for Standard Tables over 12'
(Tables Over 14' Require Field Joint TA-57)
- _____ **TA-61** .Special Sizing Charge (Larger Unit Cut Down to Smaller Size)
- _____ **TA-61A**Special Modification Charge
- _____ **TA-65** ...Enclosed Base Units Over 12' (Open Base Table)
- _____ **TA-66** ...Enclosed Base Units Over 12' (Sliding Door Units)
- _____ **TA-67** ...Enclosed Base Units Over 12' (Hinged Door Units)
- _____ **TA-78** ...Additional Lin. Ft. Past 12' For Table Mt. Shelf
(For ODS, OTS, TS, DS & WS Shelving only)
- _____ **TA-105** ..Modify Enclosed Base Table with Drawers
to 24" Width
- _____ **TA-110**Modify Enclosed Base Table with
Drawers to 36" Width

Top Modifications

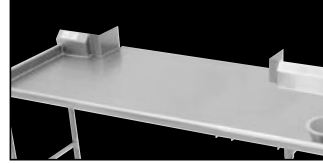
- _____ **TA-1**Notch Backsplash For Roll Up Door with Pass-Thru
- _____ **TA-3** ...Stainless Steel Hat Channel & Gusset Upgrade
- _____ **TA-7**10" Rear Splash
- _____ **TA-8**Column Notch in Rear Splash (Includes Splash)
- _____ **TA-10**5" Partial Back Splash
- _____ **TA-12**Countertop Edge
- _____ **TA-22**Square Edge Table
- _____ **TA-28**Cut-Out For Cold Well
- _____ **TA-30**1-1/2" Side Splash
- _____ **TA-30A**1-1/2" Turn Up For Table Tops
- _____ **TA-31**5" Side Splash
- _____ **TA-32**10" Side Splash
- _____ **TA-34**Top Cut-Out
- _____ **TA-35**Splash Cut-Out
- _____ **TA-56**5" NSF Partition
- _____ **TA-56A**18" NSF Partition
- _____ **TA-57** ...Prepare Welded Field Joint (Welded in field by others)
- _____ **TA-57A**Bolted Field Joint (Bolted in field by others)
- _____ **TA-58**Stepdown to 24" Working Height
- _____ **TA-79**Flour Trough (Factory installation only)



TA-58 Shown

- _____ **TA-62**Duplex Electrical Outlet (Under Flat Top)
- _____ **TA-62A** ..Duplex Electrical Outlet (in VKS Rear Splash)
- _____ **TA-62B**Duplex Electrical Outlet
(in KSS Rear Splash. Includes 2" Return)
- _____ **TA-62C**Duplex Outlet GFI (Specify Location)
- _____ **TA-62D** ..Doghouse Outlet Box (Includes Duplex Outlet)
- _____ **TA-64**Urn Trough (Factory installation only)

- _____ **TA-75**Mitered Edge
- _____ **TA-76**Paint on Sound Deadening
- _____ **TA-82**Scrap Chute (6" dia. opening)
- _____ **TA-84**Simple Pass-Thru



TA-84 Shown

- _____ **TA-87**Enclosed Rear Splash
- _____ **TA-91**Poly Retaining Clips **Includes TA-22**
(S/S top table)
- _____ **TA-93**Wall Brackets (Includes 2. For 5" & 10 1/2" splash only)
- _____ **TA-96A**Can Opener Provision for Openers
with Bolt-on Base (Customer to provide location)
- _____ **TA-96B** .Can Opener Surface Mount Provision with
4" S/S Tube for Openers w/o Base (Customer to provide location)
- _____ **TA-96C**Can Opener Spacer Plate Provision for Use on Tables
With Countertop Edge & Can Opener Base
(Customer to provide location)
- _____ **TA-100**Bull Nose All Sides of Worktable
- _____ **TA-100A**Bull Nose All Sides of Shelf
- _____ **TA-101**Rear Tray Lock
- _____ **TA-106**Mirror HI-LITE Edge
- _____ **TA-108**2" Hole w/ Grommet for Cord
(Specify Hole Location)
- _____ **TA-112**Hubble Outlet
- _____ **TA-113**Notch Top for Buyout Unit

Base Modifications

- _____ **TA-4**Removable Access Panel
- _____ **TA-5**Curb Mounting Provision
- _____ **TA-15**Provision for Built In Drawer Warmer
- _____ **TA-23**Welded Set-Up Table/Crating
- _____ **TA-24**Shell Crating
- _____ **TA-27**Control Panel (Must add TA-34A or TA-34B)
- _____ **TA-36A**Sliding/Hinge Stainless Steel Doors
- _____ **TA-36B** Two 1/2 Height Stainless Steel Hinge Doors
- _____ **TA-37**Stainless Enclosed Base
- _____ **TA-39**24" Louvered Hinged Doors



TA-39 Shown

- _____ **TA-40**Remove Undershef in Cabinet Base
For Slide in Buyout
- _____ **TA-42**Interior Partition (2.5"x30")
- _____ **TA-43**Filler Panel (3"x30" with Flanged Feet)
- _____ **TA-44**K.D. Aluminum Pan Rack Slides



Customer Service Available To Assist You 1-800-645-3166 8:30 am - 8:00 pm E.S.T.

Email Orders To: customer@advancetabco.com. For Smart Fabrication™ Quotes, Email To: smartfab@advancetabco.com or Fax To: 631-586-2933

NEW YORK
Fax: (631) 242-6900

GEORGIA
Fax: (770) 775-5625

TEXAS
Fax: (972) 932-4795

NEVADA
Fax: (775) 972-1578

ADVANCE TABCO is constantly engaged in a program of improving our products. Therefore, we reserve the right to change specifications without prior notice. © ADVANCE TABCO, MAY 2012

A City Discount

TABLE MODS

Smart Table Modifications

(6 slides. Table min. lgth. 30")

TA-45K.D. Aluminum Glass Rack Slides

(3 slides. Table min. lgth. 3 feet)

TA-46Door Locks

TA-4812"x12" Cut-Out in Back Panel or Undershef for Plumbing

TA-55Remove Back Panel (on Enclosed Base)

TA-70S/S Tubular Tray Divider (12" sections)

TA-73Tubular Tray Slide w/Dropdown

(Stationary Tray Slide Available. Factory installation only)

TA-74Solid Tray Slide

TA-9212" Apron (in front of sink)

TA-92A 17" stainless Steel Apron to Cover Sink Bowls and Support Lever Drain Handles

TA-109Rear Flush Finished Inset Panel



TA-109 Shown

TA-116 Adjustable Enclosed Base Cabinet Mid Shelf

(Shelves over 36" in length require multiple . . . sections with center partition.)

Sink Modifications

TA-107Vacuum Breaker Holes on Tables
(Includes Backsplash with 2" Return)

Undershef Modifications

TA-91-1/2" Turn-Up for Undershelves

TA-4812"x12" Cut-Out in Back Panel or Undershef for Plumbing

TA-94Upgrade 16 Ga. 304 S/S Undershef

TA-366 . . . Reinforced Understructure For Undershelves

Overshef Modifications

TA-9A . . . 1" Turn-Up for all Table Mounted Shelves

TA-47 . . . Shelf Mounting Bracket for Existing Table

TA-49Wall Shelf 2" offset

TA-60Special Sizing Charge for Shelves
(Must Order Larger Unit to be Cut Down to Smaller Size)

TA-62Duplex Electrical Outlet (Under Flat Top)

TA-62D Doghouse Electrical Outlet Box (Includes Duplex Outlet)

TA-71Heat Lamp Mounting Provision

TA-77 Check Minder Shelf Provision (Factory installation only)

TA-99 16 Ga. S/S 304 Upgrade for Wall and Over Shelves

TA-10224" x 24" Extension for Microwave or Computer Shelf

(Add to OTS and ODS Shelves. See page 45)

TA-10324" Wide PT Shelf (36" Min Length.

Mid mount only. PT Series Shelf)

TA-104 . . Additional Length Over 12' (Add to 18" Shelf)

(CU & CDS Shelving Only. Maximum Length is 14' as Single Piece)

Leg Modifications

TA-16Galvanized Leg with Plastic Bullet Foot

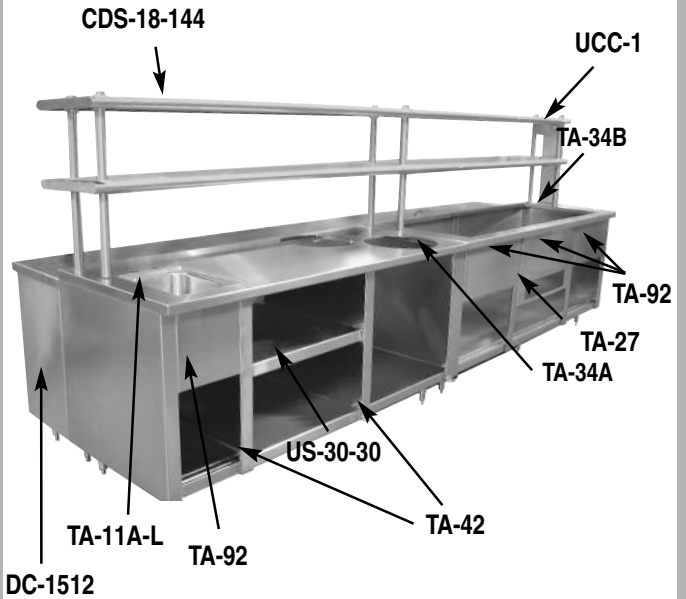
TA-19Flanged Stainless Steel Bullet Feet

TA-20Stainless Steel Leg with S/S Bullet Foot

TA-21Stainless Steel Bullet Foot

TA-95Upgrade 16 Ga. 304 S/S Legs Only

MODIFIED EB-SS-3012



Duplex Electrical Outlets
TA-62 \$346 ea.
TA-62A 208 ea.
TA-62B 334 ea.
TA-62C 363 ea.

Doghouse Duplex Electrical Outlet
TA-62D
 \$387 ea.

Data Port Outlet
TA-622
 \$346 ea.



TA-112 \$470
Hubble Outlet



PRT-1 \$663
Printer Shelf with
Data Port & Electrical Outlet



TA-77 \$45 lin. ft.
Check Minder Shelf Provision



NSF Partition
 5" **TA-56A** \$369
 18" NSF Partition
TA-92 \$135 lin. ft.
 12" Apron

Call For Installation of Buyout Equipment!

TOP ACCESSORIES

- ___ TA-29 Rear Splash Capping Strip
- ___ TA-41 Poly-Vance 5/8" Cutting Board
- ___ TA-521 Drop-In urn Trough 1'
- ___ TA-522 Drop-In urn Trough 2'
- ___ TA-523 Drop-In urn Trough 3'
- ___ TA-524 Drop-In urn Trough 4'
- ___ TA-812 2' Stainless Steel Cutting Surface
- ___ TA-813 3' Stainless Steel Cutting Surface
- ___ TA-814 4' Stainless Steel Cutting Surface
- ___ TA-815 5' Stainless Steel Cutting Surface
- ___ TA-816 6' Stainless Steel Cutting Surface
- ___ TA-817 7' Stainless Steel Cutting Surface

BASE ACCESSORIES

- ___ TA-54 Removable Kick Plate
- ___ TA-63 Removable Shelving (In addition to standard shelf)

OVERSHELF ACCESSORIES

- ___ TA-83 Spice Bins

POTRACK ACCESSORIES

- ___ TA-86 Stainless Steel Pot Hooks
- ___ TA-89 Double Sided Plated Pot Hooks (Package of 4)
- ___ TA-89A Single Sided Plated Pot Hooks (Package of 4)
- ___ TA-98 Stainless Steel Flat Bar in lieu of Chain

TOP ACCESSORIES

- ___ TA-84A Knife Rack for Rolled Rim Tables
- ___ TA-84B Knife Rack for Poly Top Tables
- ___ TA-84C Knife Rack for Square Edge Tables

DRAWER ACCESSORIES

- ___ TA-13 Pad Lock Hasp (Non-catalog tables. Specify table width)
- ___ TA-90 Drawer Adapter (Non-catalog tables. Specify table width)

LEG ACCESSORIES

- ___ TA-72 Leg to Wall Brace (Set per table)

SMART TABLE ACCESSORIES

Casters

(125 lbs. Load Capacity Per Caster)



TA-25

- ___ TA-25 Set of 4
 - ___ TA-25A Set of 6
- Add price to Above for:**
- ___ TA-25B Brakes on All Casters
 - ___ TA-25C Upgrade to Caster with Heavy Duty Urethane Wheels

Heavy Duty Casters for Equipment Stands



TA-255

(1000 lbs. Distributed Weight)

- ___ TA-255 Super Heavy Duty set of 4
- ___ TA-256 Super Heavy Duty set of 6

ALL CASTERS
SHIP VIA UPS!



REAR SPLASH CAPPING STRIP



16 Ga. "304" Stainless Steel
Adhesive Tape Backing

- ___ TA-29

BUMPER GUARDS



16 ga., 304 Stainless Steel. Bracket Included

- ___ BG-48 2" x 4" x 48"
- ___ BG-60 2" x 4" x 60"

CORNER GUARDS



16 Ga. "304" Stainless Steel
Adhesive Tape Backing

- ___ CG-48 2" x 2" x 48"
- ___ CG-60 2" x 2" x 60"

CHECK MINDER

Check Minder holds checks with ease.

Floating ball mechanism quickly grabs checks and holds them in place.

Mounts to existing wall or shelf.



Ft.	MODEL	Approx. Wt.
2'	___ CM-24	1.5 lbs.
3'	___ CM-36	2.25 lbs.
4'	___ CM-48	3 lbs.



Customer Service Available To Assist You **1-800-645-3166** 8:30 am - 8:00 pm E.S.T.

Email Orders To: customer@advancetabco.com. For Smart Fabrication™ Quotes, Email To: smartfab@advancetabco.com or Fax To: 631-586-2933

NEW YORK
Fax: (631) 242-6900

GEORGIA
Fax: (770) 775-5625

TEXAS
Fax: (972) 932-4795

NEVADA
Fax: (775) 972-1578