



Project \_\_\_\_\_

Item No. \_\_\_\_\_

Quantity \_\_\_\_\_

## Model CGL60 Light Duty Portable Outdoor Charcoal Grills



### STANDARD FEATURES & ACCESSORIES

- One person adjustable Top Grid
- Aluminized steel construction
- Chrome Cooking Grid
- Steel Legs with 6" swivel casters
- Charcoal

### OPTIONS & ACCESSORIES (AT ADDITIONAL COST)

- Weather proof outdoor vinyl cover
- 30" Charcoal screen (set of 2 required)
- Replacement CGL60 Top Grid
- EZ Roll System (Large 14" wheel one end)

### APPLICATION

The CGL60 is easy to use and transport – designed for great outdoor performance wherever you are catering. Serve food with the unforgettable BBQ flavor of charcoal, wood and mesquite grilling. Design to be light in weight so it's easy to take from one location to the next. Great for outdoor parties, seasonal outdoor BBQs and catering companies.

Model CGL60 Light Duty Outdoor Charcoal Grills

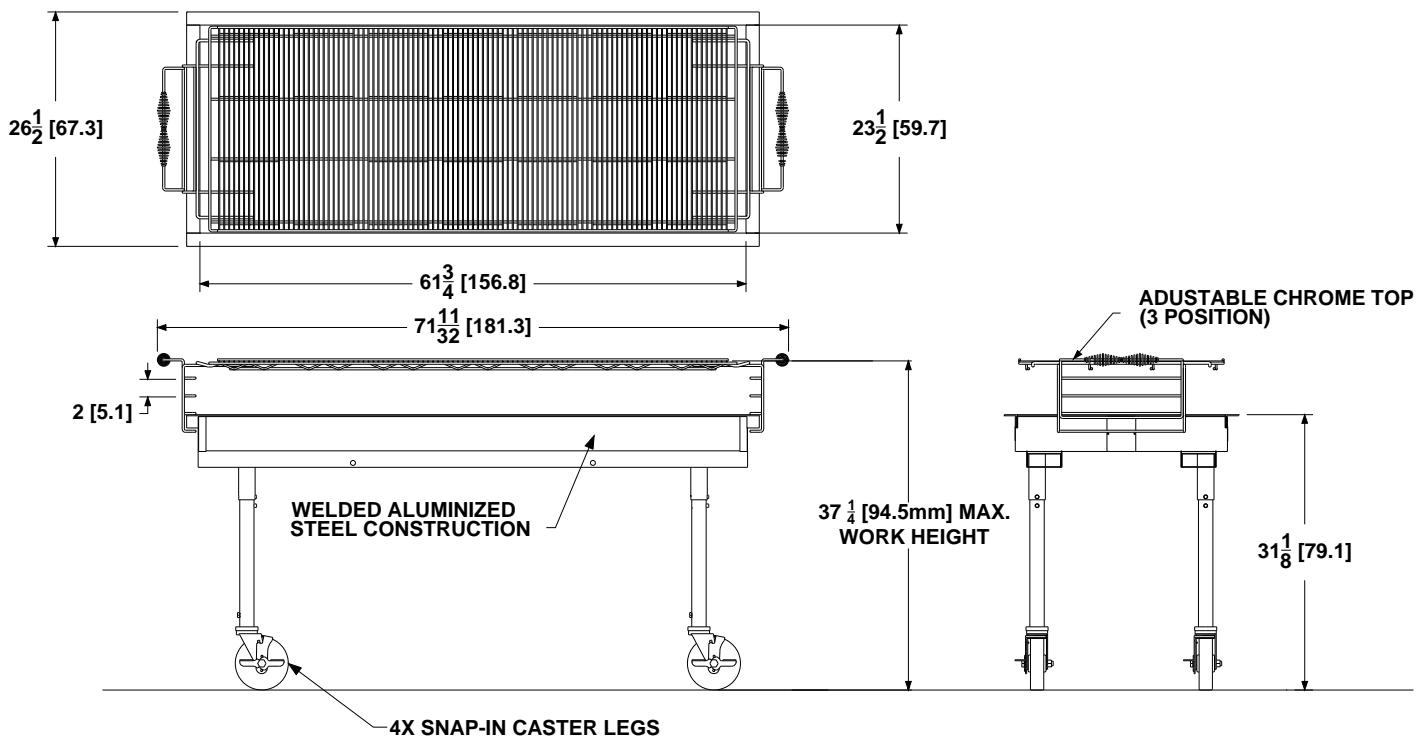


**MagiKitch'n** • P.O. Box 501, Concord, NH 03302-0501 •  
603-225-6684 • FAX: 603-225-8497 • [www.magikitch'n.com](http://www.magikitch'n.com)

L10-566 Rev 1 03/15 Printed in the USA

## Model CGL60 Light Duty Outdoor Charcoal Grills

Model CGL60 Light Duty Outdoor Charcoal Grills



INDIVIDUAL CHARBROILER SPECIFICATIONS	
Model Size	CGL60
Cooking Power	Charcoal
Top Grid Cooking Area	1392 in <sup>2</sup> (8,967cm <sup>2</sup> )
Top Grid(s)	60" x 23.5" (152.4 x 59.7 cm)
SHIPPING INFORMATION (Approximate)	
Shipping Weight	288 lbs. (131 kg)
Shipping Crate L x W x H	71" x 37" x 25" (180cm x 94cm x 64cm)
Shipping Cube	21.6 ft <sup>3</sup> (0.6 m <sup>3</sup> )
INSTALLATION INFORMATION	
IMPORTANT- This appliance is intended for outdoor use ONLY.	
SHORT FORM SPECIFICATION	
Provide MagiKitch'n model CGL60 outdoor charbroiler mounted on steel legs and casters. Unit can be used for charcoal, wood and mesquite grilling. Unit shall be Aluminized steel construction. Convertible design allows operator to quickly add additional accessories without the use of tools in most instances. Provide Options and Accessories as follows:	



**MagiKitch'n** • P.O. Box 501, Concord, NH 03302-0501 •

603 -225-6684 • FAX: 603-225-8497 • [www.magikitch'n.com](http://www.magikitch'n.com) L10-566 Rev 1 03/15 Printed in the USA

We reserve the right to change specifications without notice and without incurring any obligation for equipment previously or subsequently sold.