



CIU050 - SELF CONTAINED CUBE ICE MAKER

CIU050 SELF CONTAINED CUBE ICE MAKER



CIU050

With its horizontal evaporator, the CIU line of ice machines provides crystal clear ice every time. And with its compact design the CIU ice machine is sized to fit nearly anywhere, yet stylish enough to show off to your customers.

Features

- Produces up to 50 lbs (22.68 kg) of ice per day³
- Stores up to 36 lbs (16.33 kg) of ice³
- Space saving design³
- Easy open, self-storing bin door³
- Large bin opening for easy access to ice.
- Simple control panel for easy adjustments.
- Low profile 31.75 in. (806.5 cm) installation, with available ADA compliant kit.
- Front air intake & discharge for undercounter installation.
- Ice scoop included.
- Complies with AHRI 810-07.

Options & Accessories

Model	Description
KADA - 15	ADA floor mount kit for 15" CIU self-contained ice machine

Ice Maker Warranty

Commercial Warranty	
Ice Maker	2 Years Parts and Labor

Space-Saving Solutions

- Front air discharge design for compact spaces.
- Compact 15" width.
- Easy front access to ice.
- Low profile kit available for ADA compliance.

Ice Form

FULL CUBE DIMENSIONS	
W x D x H (in.)	7/8 x 7/8 x 7/8
W x D x H (mm)	22 x 22 x 22



CUBE

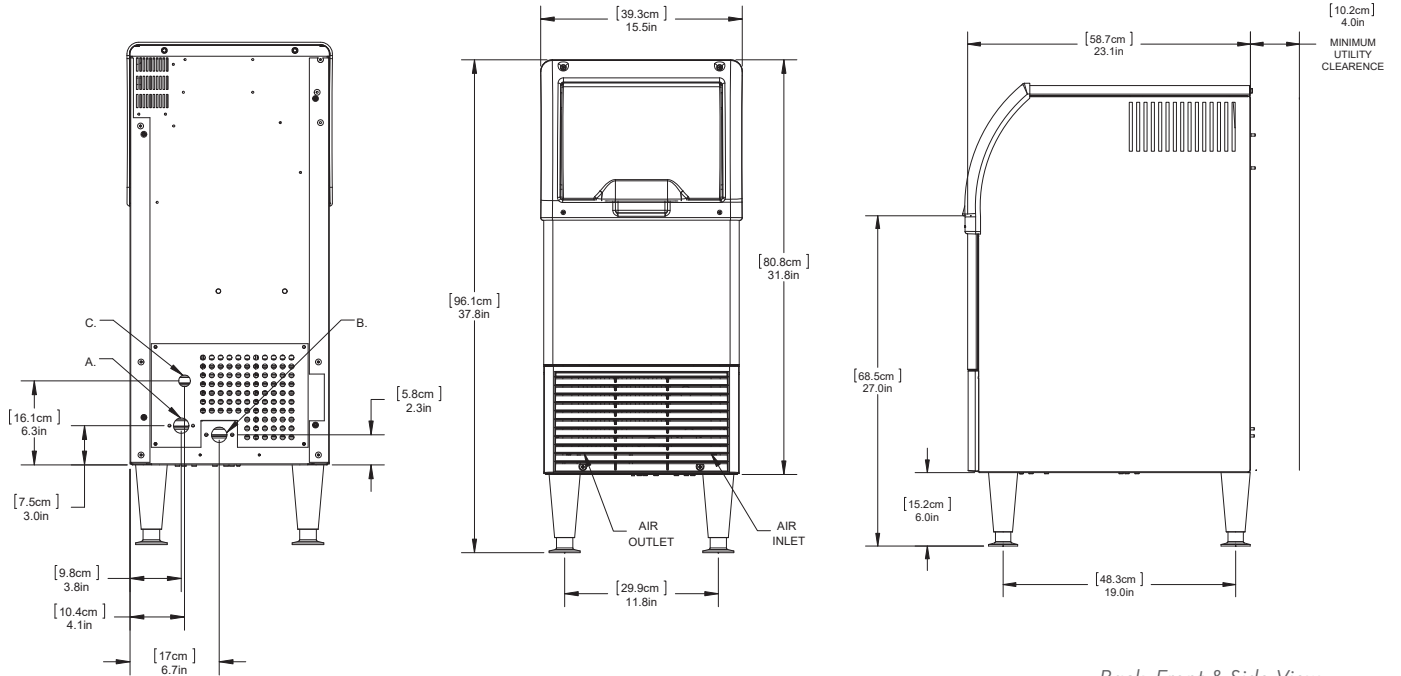




Air Cooled

A. Potable water inlet 1/4" OD plastic tubing. B. Bin and ice maker drain, 3/4" FPT. C. Electrical cord connected.

Included Items: Cord Set, legs and scoop.



Back, Front & Side View

Operating Requirements

	MINIMUM	MAXIMUM
	60 Hz	
Ambient Temp. Range Air	50°F (10°C)	100°F (38°C)
Water Temp.	40°F (4.5°C)	100°F (38°C)
Water Pressure	15 PSIG (1.03 BAR)	80 PSIG (5.5 BAR)

Dimensions

ALL MODELS	
W x D x H (in.)	15 x 23 x 32
W x D x H (mm)	380 x 603 x 811

Specifications

Model Number	Cond. Unit	Ice Production per 24hrs		Water Usage gallons per 100 lbs of Ice 90°F air/70°F water	kWH Used per 100 lbs of ice @ 90°F air/70°F water	Number of Wires Including Ground	Voltage Characteristics	Min. Circuit Ampacity	Fuse Size	Approx. BTUs per hour**
		70°F air/ 50°F water lbs (kg)	90°F air/ 70°F water lbs (kg)							
CIU050	Air	50 (22.67)	36 (16.3)	36 (136.3)	15	Cord Connected	115/60/1	4.5	15	1500

**BTUH is calculated 0°F Evaporator, 100°F Condensing, and 33 PSIG.

NOTES:
 Approx. Shipping Weight lbs (kg): All models 102 (46.3)
 Refrigerant Type: R134A
 Refrigerant Charge: 12.6 oz / 357.2 grams
 Included Items: Ice scoop, 6" legs