



# 180UC

High Temperature  
Undercounter Dishwasher



### FEATURES:

- **Energy Star Qualified.**
- The 2 minute cycle timer includes built-in automatic 180°F final rinse safety system (Safe-T-Temp).
- Patented automatic soil purging system. Filters wash water and traps plate debris in an external drawer. Drawer can be easily removed for dumping contents.
- Upper and lower rotating wash and rinse arms provide excellent cleaning and rinsing.
- All stainless steel construction, no plastic parts to repair.
- Patented built-in booster heater. Economical, single source heat lowers energy costs.
- Large 14-1/2" height clearance accommodates larger dishes and half size sheet pans.
- Low water consumption. Uses only .86 gallons of water per cycle.
- Includes water pressure regulator valve.
- Pumped drain.
- Safety Temp feature assures 180°F sanitizing rinse every cycle.



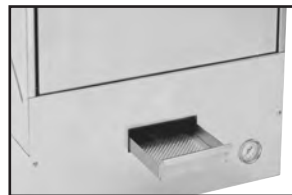
**Top mounted controls** are easy to read and simple to operate.



**Large 14-1/2" height clearance** accommodates larger dishes and half size sheet pans.



**Upper and lower rotating wash and rinse arms** blast water in all directions for optimum cleaning and rinsing.



**Soil purging system** keeps the wash water clean assuring excellent results while reducing chemical costs.

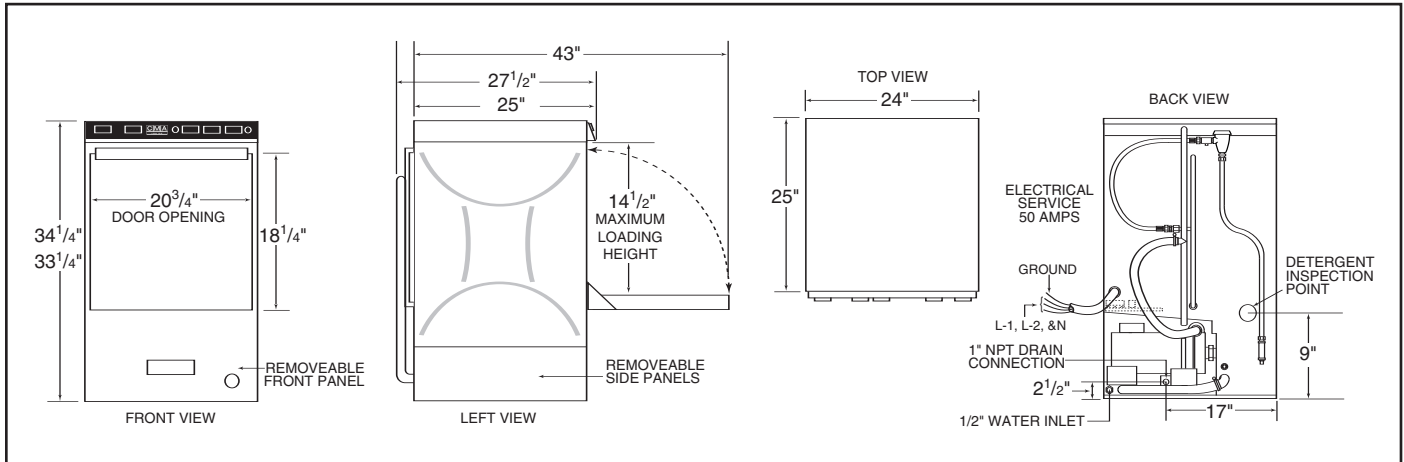




# 180UC

## High Temperature Undercounter Dishwasher

**WARNING:** Plumbing connections must be made by a qualified service company who will comply with all available Federal, State, and Local Health, Plumbing and Safety codes.



### Specifications:

	USA	(Metric)		USA	(Metric)
<b>WATER CONSUMPTION</b>			<b>FRAME DIMENSIONS</b>		
PER RACK	.86 GAL.	(3.25 L)	DEPTH	25"	(63.5 CM)
PER HOUR	20.6 GAL.	(77.8 L)	WIDTH	24"	(60.96 CM)
<b>OPERATING CYCLE</b>			HEIGHT	33-1/4"	(84.45 CM)
WASH TIME-SEC	94	94	MAX CLEARANCE FOR DISHES	14-1/2"	(36.8 CM)
RINSE TIME-SEC	16	16	<b>WASH PUMP MOTOR</b>	1 HP	1 HP
DWELL TIME-SEC	10	10	<b>ELECTRICAL RATING*</b>	<b>208 VOLTS</b>	<b>230 VOLTS</b>
TOTAL CYCLE TIME	2 MIN.	2 MIN.		<b>1 PH-60 Hz</b>	<b>1 PH-60 Hz</b>
<b>OPERATING CAPACITY</b>			TOTAL AMPS	33.0 AMPS	35.0 AMPS
RACKS PER HOUR	30	30	BOOSTER HEATER KW	5.3 KW	6.5 KW
WASH TANK CAPACITY	2.5 GAL.	(9.46 L)	<b>*MUST CONNECT TO 50 AMP SUPPLY CIRCUIT.</b>		
PUMP CAPACITY	38 GPM	(144 LPM)	<b>USE #8 AWG (MIN) 90°C STANDARD COPPER WIRE</b>		
<b>WATER REQUIREMENTS</b>			THIS SYSTEM REQUIRES THREE POWER WIRES WHICH INCLUDES A CURRENT CARRYING NEUTRAL. AN ADDITIONAL FOURTH WIRE MUST BE PROVIDED FOR MACHINE GROUND.		
REQUIRED MINIMUM TEMP.*	110°F	(43°C)	<b>SHIPPING WEIGHT</b>		
RECOMMENDED TEMP.**	140°F	(60°C)	APPROXIMATE	234#	(106 KG)
WATER INLET	1/2"	(1.27 CM)	*For machine having "Safe-T-Temp"		
DRAIN CONNECTION	1"	(2.54 CM)	**For faster heat recovery		
RINSE PRESSURE SET	20 ± 5PSI	1.41 KG/CM <sup>2</sup>			
<b>CYCLE TEMPERATURES</b>					
WASH-°F	150° F-160° F	(65.5°C/71°C)			
RINSE-°F	180° F-195° F	(82°C/90°C)			

### Summary Specifications: CMA-180UC

The CMA Energy Miser model CMA-180UC undercounter dishwasher provides hot water (180°F) sanitizing through the use of a built-in booster heater. 180°F final rinse safety system ensures proper temperatures in the final rinse by holding wash cycle in run mode until 180°F rinse temperature is detected. The unit comes standard with upper and lower stainless steel wash and final rinse arms, digital LED temperature gauges and easy to operate controls. The CMA-180UC incorporates an automatic soil purging system uniquely designed (patent pending) into the wash tank that enables the wash water to remain clean, assuring excellent results and less chemical use. The CMA-180UC is constructed entirely of stainless steel. Uses standard 20"X20" dishracks and accommodates oversized plates and utensils with a 15" door clearance.

### Options Available: CMA-180UC

- 48" Undercounter Dishtable
- Built-in Rinse pump
- Detergent and Rinse Pump
- Stainless Steel Pedestal
- 4 Inch legs Part # 1147.50 (4 needed)

