



STAINLESS STEEL  
**Blender Station With Dump Sink**  
 Includes Faucet • 23" and 26" Wide Units



Item #: \_\_\_\_\_ Qty #: \_\_\_\_\_  
 Model #: \_\_\_\_\_  
 Project #: \_\_\_\_\_



**SL-RS Series**  
 23" Wide Units With A  
 Splash Mount Faucet



**CR-RS Series**  
 26" Wide Units With A  
 Deck Mount Faucet



15A - 120V Duplex  
 Receptacle Hidden  
 Beneath Blender Shelf

**FEATURES:**

- Includes dump sink with faucet.
- SL-RS-12 & CR-RS-12 Units:** 9" x 9" x 4" Sink Bowl.
- SL-RS-18 & CR-RS-18 Units:** 10" x 14" x 10" Sink Bowl.
- Recess step with grommet hole for blender power cords.
- 15A - 120V duplex outlet hidden beneath shelf.
- Includes four galvanized legs with adjustable plastic bullet feet.
- 4" backsplash.
- Adjustable galvanized side cross-bracing.
- CR-RS Series** has rear deck for extra storage

**MATERIAL:**

- Sink Bowl:** 20 gauge, 300 stainless steel
- Recess Step & Backsplash:** 22 gauge, 300 stainless steel
- Sides:** 16 gauge, 430 stainless steel
- Legs:** 1 5/8" O.D. 18 gauge, galvanized steel with adjustable plastic bullet feet

**MECHANICAL:**

- SL-RS Series:** Includes K-59 splash mount gooseneck faucet.
- CR-RS Series:** Includes K-52 deck mount gooseneck faucet.
- All faucets meet federal lead free standards.**
- 1" IPS drain
- 15A - 120V duplex receptacle

**OPTIONAL:**

- A-15** - Chrome towel ring (packed loose)
- K-316-LU** - Add wrist handles
- SU-10A** - 18" stainless steel legs with cross-bracing
- SU-24** - Connect underbar equipment
- SU-36** - Add liquid waste chute

**NOTE:** Blender Stations Can Not Accommodate A Speed Rail

23" WIDE Model #	Approx. Weight	Approx. Cu. Ft.	26" WIDE Model #	Approx. Weight	Approx. Cu. Ft.	Overall Length (L)
SL-RS-12	20 lbs.	6	CR-RS-12	21 lbs.	6	12"
SL-RS-18	21 lbs.	6	CR-RS-18	22 lbs.	6	18"



**Customer Service Available To Assist You 1-800-645-3166 8:30 am - 8:00 pm E.S.T.**

For Orders & Customer Service:  
 Email: customer@advancetabco.com or Fax: 631-242-6900

For Smart Fabrication™ Quotes:  
 Email: smartfab@advancetabco.com or Fax: 631-586-2933

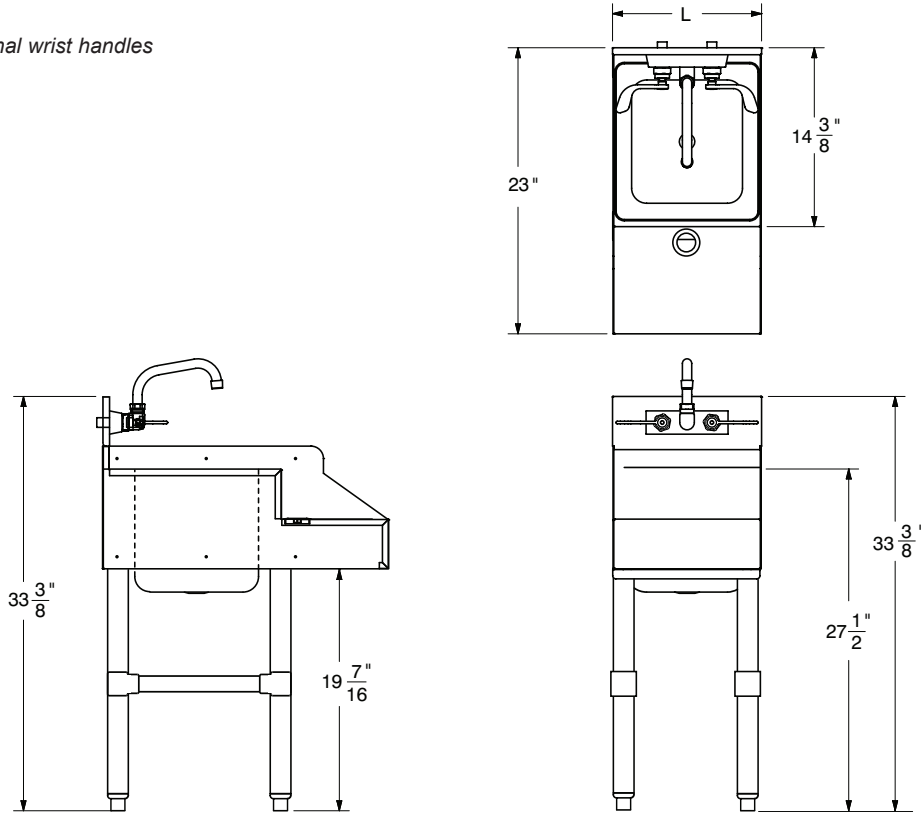
# DIMENSIONS and SPECIFICATIONS

TOL Overall:  $\pm .500$ " Interior:  $\pm .250$ "

ALL DIMENSIONS ARE TYPICAL

## SL-RS Series

Shown with optional wrist handles



## CR-RS Series

Shown with optional wrist handles

