



CR10-162



CR10-162M

Item #: _____ *Qty #:* _____

Model #: _____

Project #: _____

ALUMINUM TOP



POLY TOP



STAINLESS STEEL TOP



FEATURES:

Heavy duty welded construction.

Metal bullet feet on CR10-162 only.

4" Plate Casters with two Brakes. Standard on all Can Racks EXCEPT CR10-162 (See CR10-162M).

CONSTRUCTION:

Fully welded 1 1/4" square tubing ladder assembly.

MATERIAL:

Extruded aluminum angles.

Aluminum top .09 thickness.

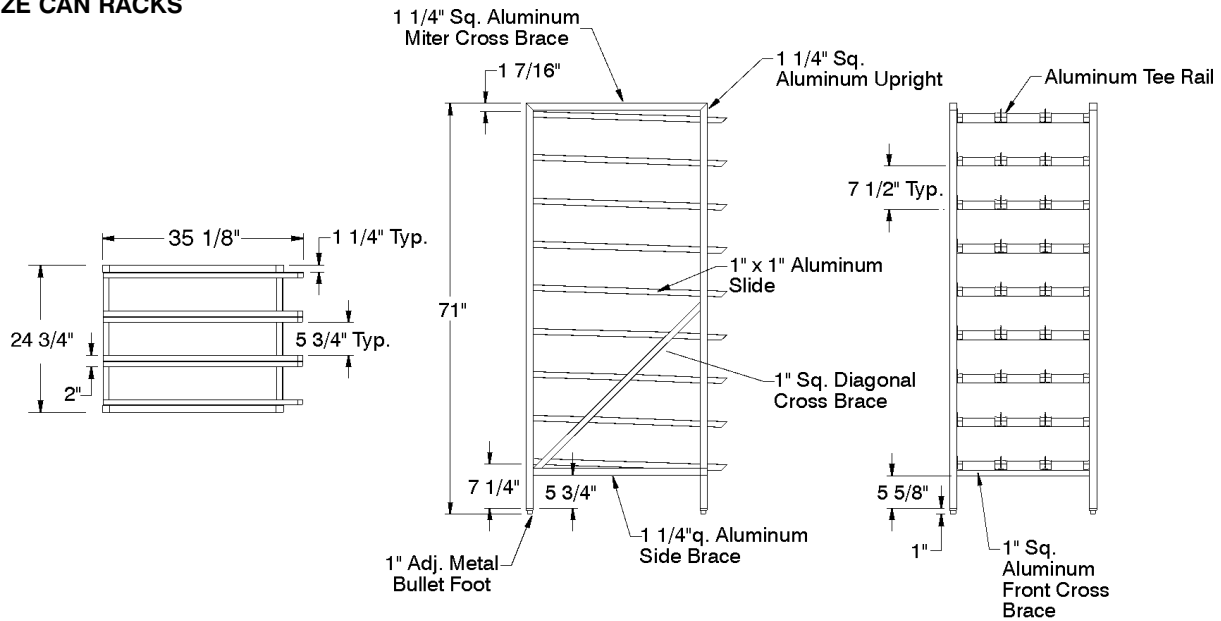
| MODEL # | Description | Can Capacity | |
|-----------|----------------------------|--------------|-----|
| | | #10 | #5 |
| CR10-162 | Full Can Rack | 162 | 216 |
| CR10-162M | Full Can Rack with Casters | 162 | 216 |
| CR10-72 | Aluminum Top | 72 | 96 |
| CR10-54 | Aluminum Top | 54 | 72 |
| CRPL10-72 | Poly Top | 72 | 96 |
| CRPL10-54 | Poly Top | 54 | 72 |
| CRSS10-72 | S/S Top | 72 | 96 |
| CRSS10-54 | S/S Top | 54 | 72 |

DIMENSIONS and SPECIFICATIONS

TOL ± .500"

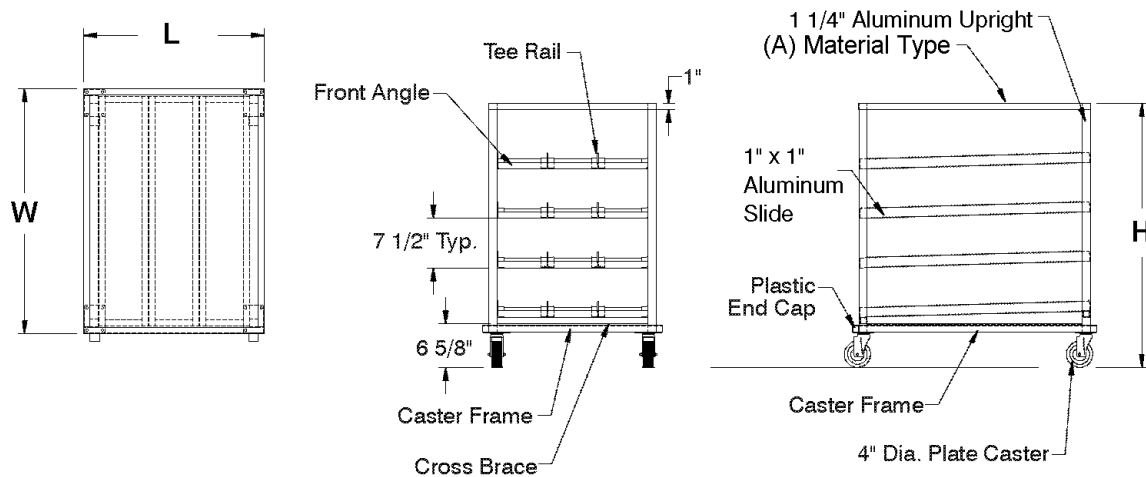
ALL DIMENSIONS ARE TYPICAL

FULL SIZE CAN RACKS



| MODEL # | Description | Can Capacity | | Overall Size L x W x H | Approx. Weight |
|-----------|---------------|--------------|-----|---------------------------|-------------------|
| | | #10 | #5 | | |
| CR10-162 | Full Can Rack | 162 | 216 | 24 3/4" x 35 1/8" x 71" | 68 lbs. |
| CR10-162M | Full Can Rack | 162 | 216 | 24 3/4" x 35 1/8" x 71" | 76 lbs. |

HALF SIZE CAN RACKS



| MODEL # | Rack Top Material (A) | Can Capacity | | Overall Size L x W x H | Approx. Weight |
|-----------|--------------------------|--------------|----|-----------------------------|-------------------|
| | | #10 | #5 | | |
| CR10-72 | Aluminum Top | 72 | 96 | 24 3/4" x 35 1/8" x 40 1/8" | 56 lbs. |
| CR10-54 | Aluminum Top | 54 | 72 | 24 3/4" x 35 1/8" x 32 5/8" | 49 lbs. |
| CRPL10-72 | Poly Top | 72 | 96 | 24 3/4" x 35 1/8" x 40 1/8" | 70 lbs. |
| CRPL10-54 | Poly Top | 54 | 72 | 24 3/4" x 35 1/8" x 32 5/8" | 64 lbs. |
| CRSS10-72 | S/S Top | 72 | 96 | 24 3/4" x 35 1/8" x 40 1/8" | 63 lbs. |
| CRSS10-54 | S/S Top | 54 | 72 | 24 3/4" x 35 1/8" x 32 5/8" | 55 lbs. |

