



CR10-162



CR10-162M

**Item #:** \_\_\_\_\_ **Qty #:** \_\_\_\_\_

**Model #:** \_\_\_\_\_

**Project #:** \_\_\_\_\_

ALUMINUM TOP



POLY TOP



STAINLESS STEEL TOP



**FEATURES:**

Heavy duty welded construction.

Metal bullet feet on CR10-162 only.

4" Plate Casters with two Brakes. Standard on all Can Racks EXCEPT CR10-162 (See CR10-162M).

**CONSTRUCTION:**

Fully welded 1 1/4" square tubing ladder assembly.

**MATERIAL:**

Extruded aluminum angles.

Aluminum top .09 thickness.

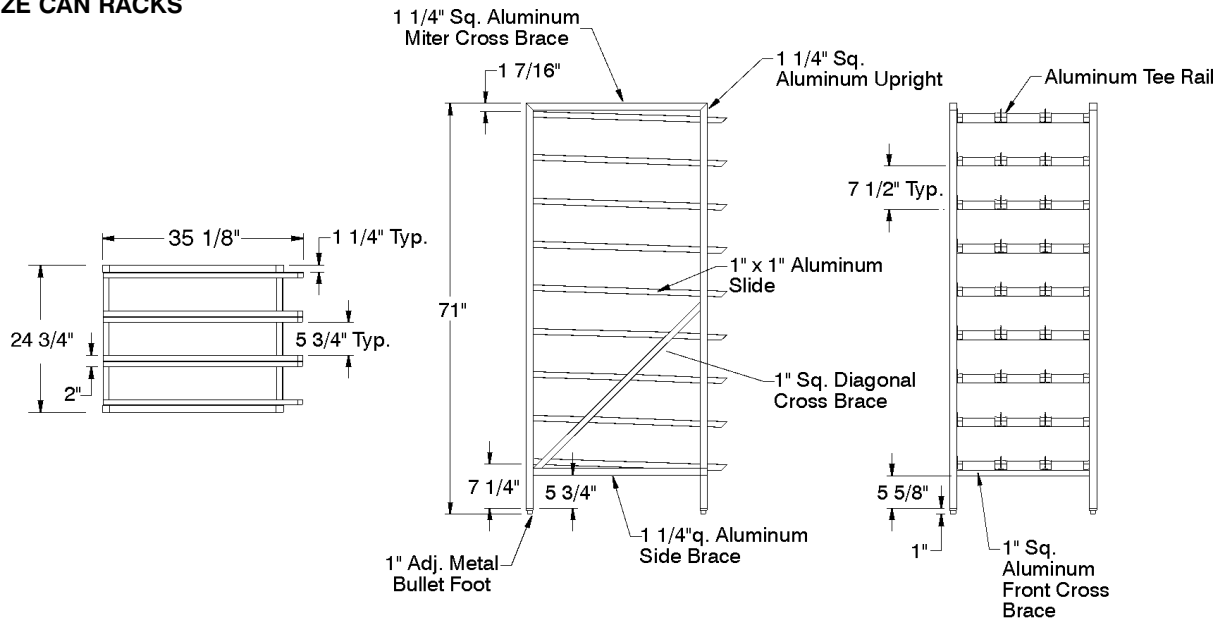
MODEL #	Description	Can Capacity	
		#10	#5
CR10-162	Full Can Rack	162	216
CR10-162M	Full Can Rack with Casters	162	216
CR10-72	Aluminum Top	72	96
CR10-54	Aluminum Top	54	72
CRPL10-72	Poly Top	72	96
CRPL10-54	Poly Top	54	72
CRSS10-72	S/S Top	72	96
CRSS10-54	S/S Top	54	72

# DIMENSIONS and SPECIFICATIONS

TOL ± .500"

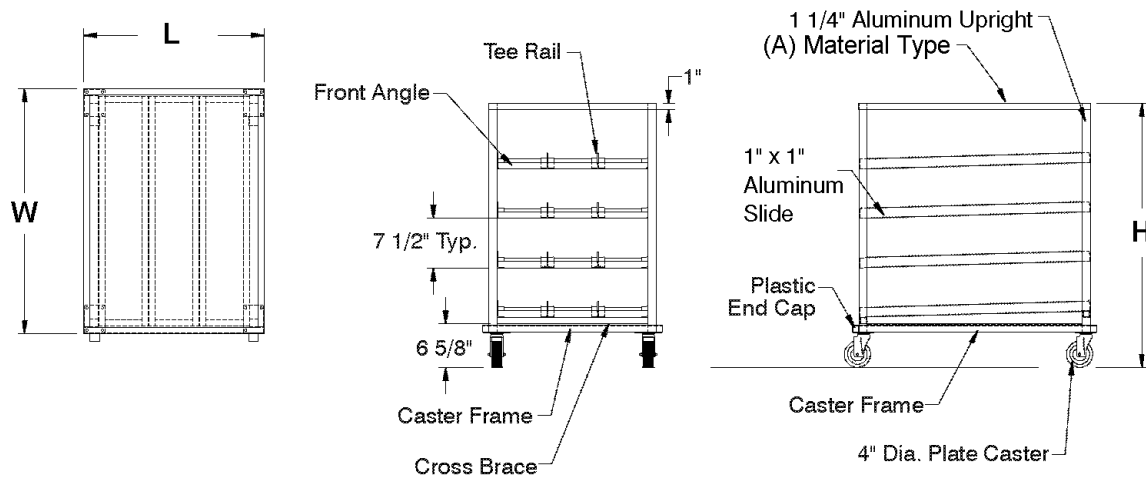
ALL DIMENSIONS ARE TYPICAL

## FULL SIZE CAN RACKS



MODEL #	Description	Can Capacity		Overall Size L x W x H	Approx. Weight
		#10	#5		
CR10-162	Full Can Rack	162	216	24 3/4" x 35 1/8" x 71"	68 lbs.
CR10-162M	Full Can Rack	162	216	24 3/4" x 35 1/8" x 71"	76 lbs.

## HALF SIZE CAN RACKS



MODEL #	Rack Top Material (A)	Can Capacity		Overall Size L x W x H	Approx. Weight
		#10	#5		
CR10-72	Aluminum Top	72	96	24 3/4" x 35 1/8" x 40 1/8"	56 lbs.
CR10-54	Aluminum Top	54	72	24 3/4" x 35 1/8" x 32 5/8"	49 lbs.
CRPL10-72	Poly Top	72	96	24 3/4" x 35 1/8" x 40 1/8"	70 lbs.
CRPL10-54	Poly Top	54	72	24 3/4" x 35 1/8" x 32 5/8"	64 lbs.
CRSS10-72	S/S Top	72	96	24 3/4" x 35 1/8" x 40 1/8"	63 lbs.
CRSS10-54	S/S Top	54	72	24 3/4" x 35 1/8" x 32 5/8"	55 lbs.

