



Open Base Riser Top Work Table

Stainless Steel Work Tables



Use your smart phone to scan the above QR code to visit our website:
www.bk-resources.com

Certifications:



Features:

- 1 5/8" Legs
- 5" Riser
- Legs Adjust 1" in Height
- Ships KD
- Two Sound Deadened Integrally Welded 5" C Channels to Reinforce & Maintain Level Working Surface
- 85" & 96" Tables Have 6 Legs

Options:

- Single & Double Overshelves
- Drawer Assemblies
- Casters
- Adjustable Table Mount Pot Rack



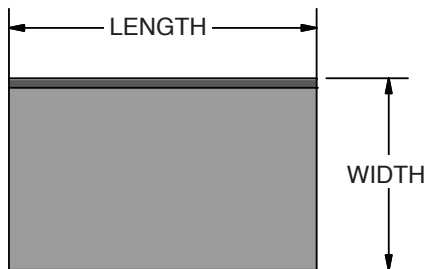
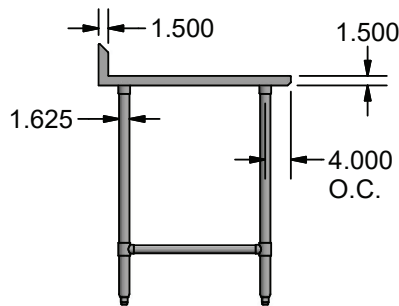
Material:

CTTR50B Series: S/S w/ Galvanized Legs

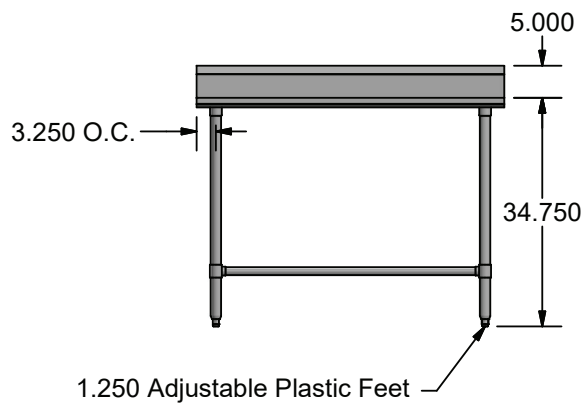
- T-304 16 ga. Stainless Steel Top
- Galvanized Legs & Bracing
- Adjustable High Impact Corrosion Resistant Feet
- Capacity: 800 lbs Evenly Distributed

CVTR50B Series: Stainless Steel w/ Stainless Steel Legs

- T-304 16 ga. Stainless Steel Top
- Stainless Steel Legs & Bracing
- Adjustable Stainless Steel Feet
- Capacity: 1,200 lbs Evenly Distributed



Length	CTTR50B Series S/S w/ Galv. Legs		CVTR50B Series S/S w/S/S Legs	
	T-304 S/S 30" Width		T-304 S/S 30" Width	T-304 S/S 24" Width
36"	CTTR50B-3630		CVTR50B-3630	-
48"	CTTR50B-4830		CVTR50B-4830	-
60"	CTTR50B-6030		CVTR50B-6030	-
72"	CTTR50B-7230		CVTR50B-7230	-
84"	-		CVTR50B-8430	CVTR50B-8424
96"	CTTR50B-9630		CVTR50B-9630	-



PRODUCT DATA SHEET

BK RESOURCES

