



Open Base Flat Top Work Table

Stainless Steel Work Tables



Use your smart phone to scan the above QR code to visit our website:
www.bk-resources.com

Certifications:



Features:

- 1 5/8" Legs
- Legs Adjust 1" in Height
- Ships KD
- Two Sound Deadened Integrally Welded 5" C Channels to Reinforce & Maintain Level Working Surface
- 96" Tables Have 6 Legs

Options:

- Single & Double Overshelves
- Drawer Assemblies
- Casters
- Adjustable Table Mount Pot Rack



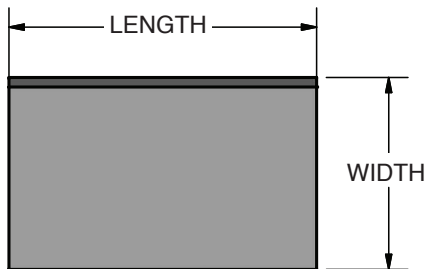
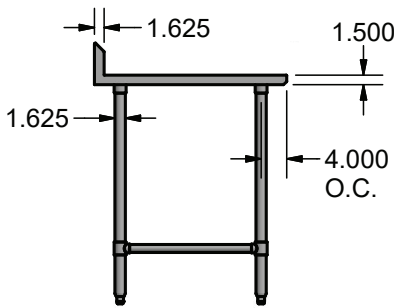
Material:

CTTR50B Series: S/S w/ Galvanized Legs

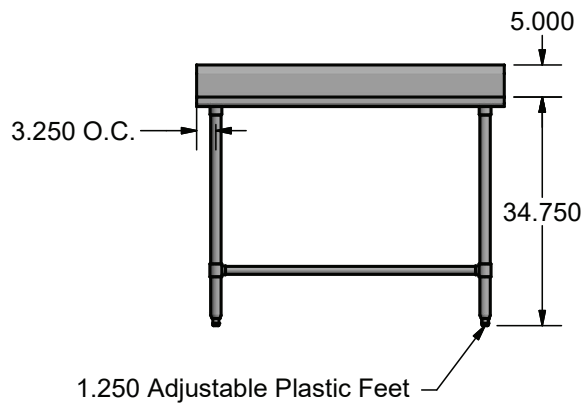
- T-304 16 ga. Stainless Steel Top
- Galvanized Legs & Bracing
- Adjustable High Impact Corrosion Resistant Feet
- Capacity: 800 lbs Evenly Distributed

CVTR50B Series: Stainless Steel w/ Stainless Steel Legs

- T-304 16 ga. Stainless Steel Top
- Stainless Steel Legs & Bracing
- Adjustable Stainless Steel Feet
- Capacity: 1,200 lbs Evenly Distributed



Length	CTTOB Series	CVTOB Series
	S/S w/ Galv. Legs	S/S w/ S/S Legs
36"	T-304 S/S 30" Width CTTR50B-3630	T-304 S/S 30" Width CVTR50B-3630
48"	CTTR50B-4830	CVTR50B-4830
60"	CTTR50B-6030	CVTR50B-6030
72"	CTTR50B-7230	CVTR50B-7230
96"	CTTR50B-9630	CVTR50B-9630



PRODUCT DATA SHEET

BK RESOURCES

