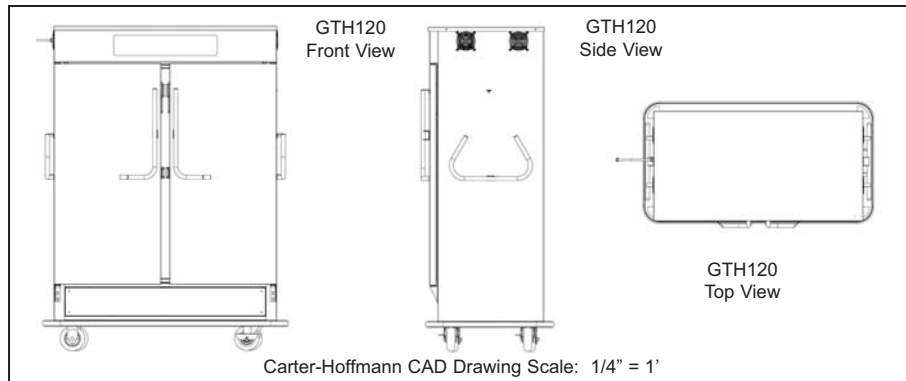




GTH120 GRIDLESS™ HEATED BANQUET CART AC or DC Power

CARTER-HOFFMANN
11
FOOD SERVICE EQUIPMENT
HEATED TRANSPORT CARTS



Model Number	Plate Capacity* (covered only) 8 ³ / ₄ " - 11" dia.	Number of Shelves	Clearance Between Shelves		Shelf Size		Overall Dimensions			Caster Diameter		Shipping Weight				
			in	mm	in	mm	Height in	mm	Depth in	mm	Width in	mm	in	mm	lbs	kgs
GTH120	120	3	16 ¹ / ₂	419	22 ¹ / ₈ x47	546x1194	78 ⁵ / ₈	1997	32 ⁵ / ₈	826	61 ¹ / ₂	1562	6	152	840	381

CONSTRUCTION...Stainless steel cabinet construction with outer cabinet formed and welded to base. Enclosed battery compartment reinforced with 12 gauge uprights. All seams turned in to eliminate raw edges. Polished exterior.

BASE FRAME...14 gauge stainless steel extended full depth bolsters.

CASTERS...6" balloon casters. Plate mounted and bolted to base in offset wheel-ahead pattern. Delrin sleeve axle bearings and double ball bearing swivel. Zerk grease fittings. Two fixed and two swivel with brakes.

BUMPER...Non-marking red vinyl bumper set in heavy-duty 3/16" thick extruded aluminum frame with reinforced corner "cut-outs."

INSULATION...High density fiberglass, full 2" thick continuous wrap-around type in top and sides.

THERMOMETER...Digital type with remote sensing bulb.

BATTERY CHARGE... Digital battery charge level meter and % display.

DOORS...Welded double panel stainless steel pocket doors. Polished exterior. Filled with 2" thick high density fiberglass insulation.

HINGES...Full length 1" tubular stainless steel hinges, mounted with 12 gauge stainless steel brackets, 16 gauge backup plates and five 5/16-18 bolts and brass bushings.

DOOR CLOSURE...Double wall pocket-style doors. 1" diameter stainless steel curved door handles mounted with backup plates. Roller latches with stainless steel strike plates.

HANDLES...Two 1" stainless steel tubular ergonomic push handles mounted to sides of cabinet.

SHELVES...Welded, duplex nickel-plated removable wire shelves.

HEATING SYSTEM... Top mounted blower heater with side wall ducts for even heat distribution. High efficiency DC motor with cooling fans. Full range thermostat with on/off switch and AC or DC power indicator. Two 12 volt batteries for and two 600 watt elements for DC power operation; one 600 watt element and NEMA 5-20P plug for AC power operation.

DC POWER SYSTEM... On board batteries to power all electronics, including heating elements, blower motor, cooling fans and control board. Full battery charge will provide 2-3 hours of DC operation. Robust power converter

and charge controller for seamless transition from AC wall power and DC battery power and vice versa. Cart can be left to charge for as long as the user wants and will switch to a power saving mode when fully charged. Cart will operate while being charged or can be charged while the unit is cold. Battery life 3-5 years depending on number of charge cycles.

ELECTRICAL CHARACTERISTICS... Operates on 120 volts, 60 Hz, single phase, 1900 watts, 15.8 amps. Ten foot 3 wire rubber cord with 3 prong grounding plug. NEMA 5-20P. Bright LED digital temperature and battery charge. Adjustable brightness for indoor or outdoor viewing.

PERFORMANCE...Preheat to 180°F (82° C) in approximately 50 minutes on AC power. Temperature range of 160°F to 200°F (71°C to 93°C). Batteries can be charged in 4 hours or less and have a 2-3 hour run time.

ACCESSORIES/OPTIONS...

- Alternate caster sizes and types
- Menu card holder (5"x7" or 8.5"x11")

Agency Approvals
Pending

Specifications subject to change through product improvement & innovation.

Patent
Pending



CARTER-HOFFMANN

1551 McCormick Ave., Mundelein, IL 60060
Tel (847) 362-5500 • (800) 323-9793 • Fax (847) 367-8981
www.carter-hoffmann.com

SPECIFICATIONS

Printed in U.S.A. GTH 0417
Carter-Hoffmann is a trademark
of Carter-Hoffmann, LLC

FEATURES & BENEFITS

1551 McCormick Avenue, Mundelein, Illinois 60060
Tel. (847)362-5500 • (800)323-9793 • Fax (847)367-8981
www.carter-hoffmann.com



OFF-THE-GRID HEATING SYSTEM... Blower heating system with side mounted interior heat ducts for fast heat up, recovery and even heat distribution throughout cabinet. Heating system can operate with AC or DC power. Two onboard batteries power cabinet for two to three hours in DC mode. Charge time of 4 hours or less. Power saving mode activated when fully charged. Heats to 200°F (93°C) in either mode.

BATTERY POWER... Two onboard rechargeable batteries to power elements, fan and controls when cabinet is unplugged. Charge time is about 4 hours and run time off the grid is 2-3 hours.



DISPLAY... Bright LED digital temperature and battery charge display for easy viewing from a distance. Adjustable brightness for indoor or outdoor viewing.

Agency Approvals
Pending



GTH120 GRIDLESS HEATED BANQUET CART

Since 1947, foodservice equipment that delivers!



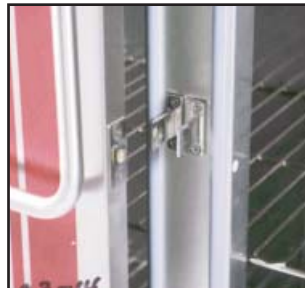
GTH120

BUILT FOR TRANSPORT... All stainless steel construction; designed to withstand the abuse of transport. Features full length tubular stainless steel hinge; full perimeter bumper, mounted in floating style underneath cabinet base, with non-marking red vinyl insert to protect facility walls and cabinet. Full length tubular hinges with backup plates. Double wall stainless steel cabinet with high density 2" thick fiberglass insulation in walls and doors.

EASY ROLLING CASTERS IN OFFSET WHEEL-AHEAD PATTERN... 6" Balloon casters with leading casters placed in offset pattern so that cabinet passes over uneven surfaces such as thresholds with ease. Front casters fitted with brakes.



ERGONOMIC PUSH HANDLES... 1" tubular stainless steel handles mounted to cabinet with backup plates. Designed for comfort grip and easy steering.



ERGONOMIC DOOR HANDLES WITH ROLLER LATCHES... Stainless steel tubular handles for comfortable grip. Mounted with backup plates for added durability. Roller latch design has been a proven performer for over 20 years.