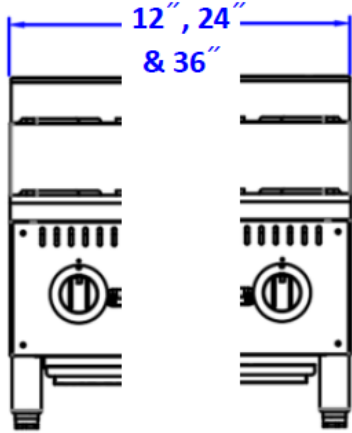


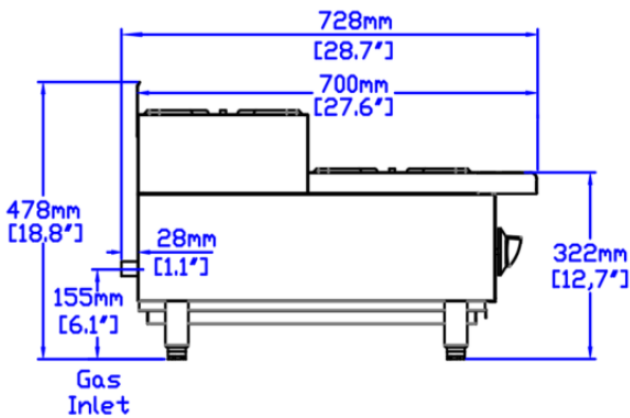


# Step-Up Hot plates

12" 2-burners, 24" 4-burners & 36" 6-burners  
CS-SUHP Series



Model CS-SUHP36



## Standard Features & Benefits

**CONSTRUCTION:** Easy cleaning, corrosion resistant stainless steel finish. Adjustable stainless steel legs for easy leveling. Installation clearances are 6" on sides and 6" in the rear.

**TOP GRATES:** 12" x 12" cast iron top grates each with cast-in aeration bowls to reflect heat for optimum efficiency.

**BURNERS:** Long life, cast iron octagonal pattern burners each rated at 26,000 BTU's.

**CONTROLS:** Reliable brass gas valves with adjustable standing pilots for each burner. Pressure regulators are set at the factory for the gas type specified. Conversion kits are included for sea level gas conversion. Optimal pressures are 4" WC for natural gas and 10" WC for propane. Manifold size is 3/4" NPT. All controls are tested and confirmed in good working order.

SPECIFICATIONS				
Model		CS - SUHP12	CS - SUHP24	CS - SUHP36
Width	in.	12	24	36
	mm	305	610	915
Depth	in.	28.7	28.7	28.7
	mm	728	728	728
Height	in.	18.8	18.8	18.8
	mm	478	478	478
Approx. Ship Weight	lbs.	92	145	196
	kgs.	42	66	89
Total BTU		52,000	104,000	156,000

**NOTICE:** In an ongoing effort of product development & improvement, Comstock-Castle reserves the right to change specifications and product design without notice. Such modifications do not entitle the buyer to corresponding changes or replacements for previously purchased equipment.



Comstock-Castle Stove Co. • 119 W. Washington St. • Quincy, IL. 62301  
Tel.: 217-223-5070 • Fax.: 217-223-0007 • Web: www.castlestove.com

