



Enduro 175

8 Valve Ice Drink Dispenser



Features:

■ Features:

- Available with eight UFB-1 lever or push button post-mix valves
- Illuminated merchandiser delivers unique, high impact marketing message
- Cold plate to valve manifolding design allows for any combination of carbonated or non-carbonated flavors
- Gravity ice dispensing with positive shut-off provides excellent ice targeting
- Ice used to cool cold plate is separate from ice dispensed into cups
- One piece ABS thermoformed plastic ice storage hopper (Durabide™ design) provides durability and ensures all ice in hopper is dispensable
- Unit readily accepts top mount cubers with manual ice fill capability



Enduro 175

Technical Specifications:

Ice Storage Capacity: 175 lbs. (79.38 kgs.)

Beverage Manifolding: 2-2-1-3

Cup Clearance: 9.75" (24.76 cm)

Cooling Capacity: 10-12 oz. drinks/minute @75°F

Drain Connection: .75" PVC (NPT) or 1" ID flexible tubing

Graphic Size:

Overall: 11.083" x 19.294"

View: 10.608" x 18.67"

Standard Options: Beverage Key Switch, 4" legs, timed agitation

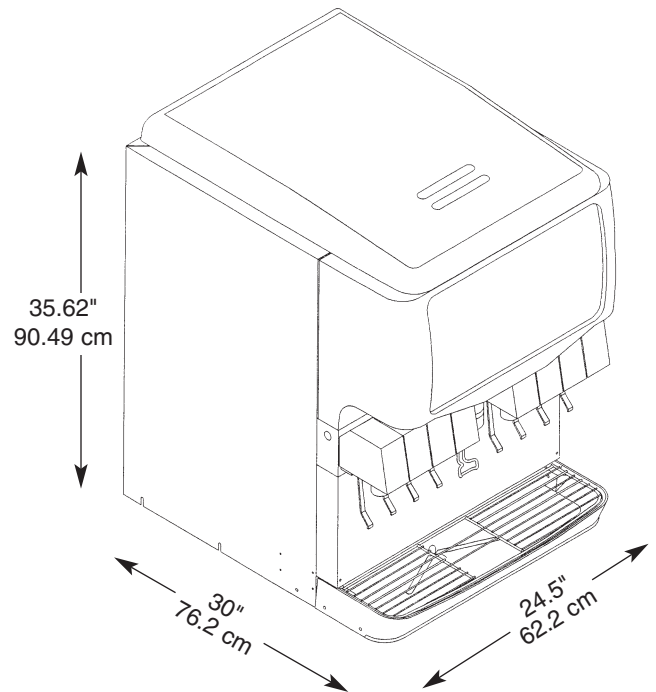
Electrical Rating: 115V / 60Hz / 3A

Shipping Weight: 230 lbs. (104.33kgs.)

Agency Listings:



City of New York
City of Los Angeles



Part Number	Description
621052703	Enduro 175 Ice Drink Dispenser with 8 UFB-1 2-4 oz. / sec. Sanitary Lever Valves
621052706	Enduro 175 Ice Drink Dispenser with 8 UFB-1 2-4 oz. / sec. Push Button Valves
3470	Enduro 175 Dispenser Stand - Stainless Steel 24.50" Wide x 30" Deep x 30" High



For more information or to place an order, contact your sales representative or authorized distributor.

www.cornelius.com

In the US:

Phone: 1-800-238-3600

Fax: 1-800-535-4235

Outside the US:

Phone: 1-763-421-6120

Fax: 1-763-422-3297

IMI Cornelius Inc.

One Cornelius Place
Anoka, MN 55303-6234
USA