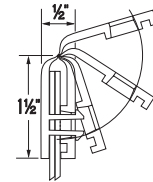


Made of non-corrosive high-impact polypropylene



Hardware Profile

**Strip Thicknesses:**

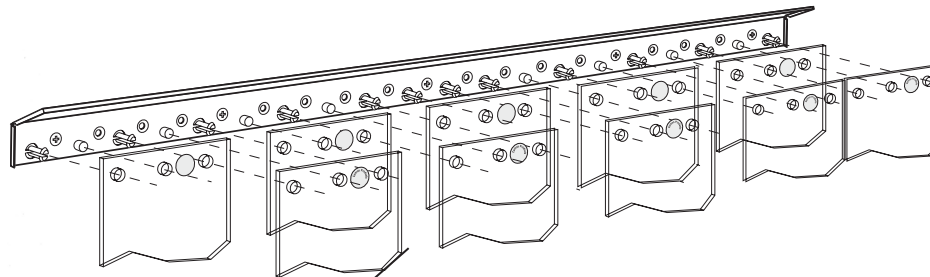
- .060 Mil
- .080 Mil

**Strip Grades:**

- Standard - Clear
- Polar Reinforced (-40°F) - Clear

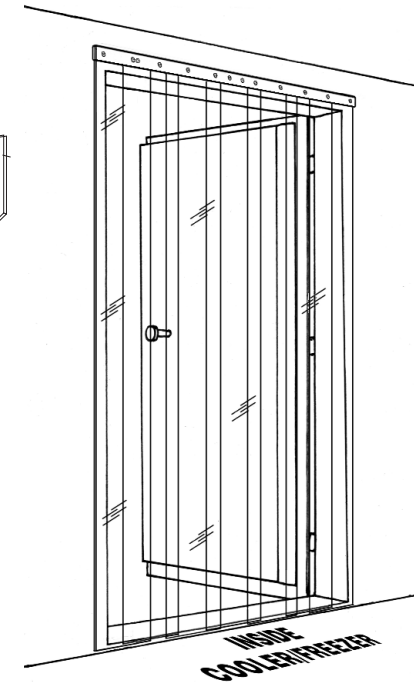
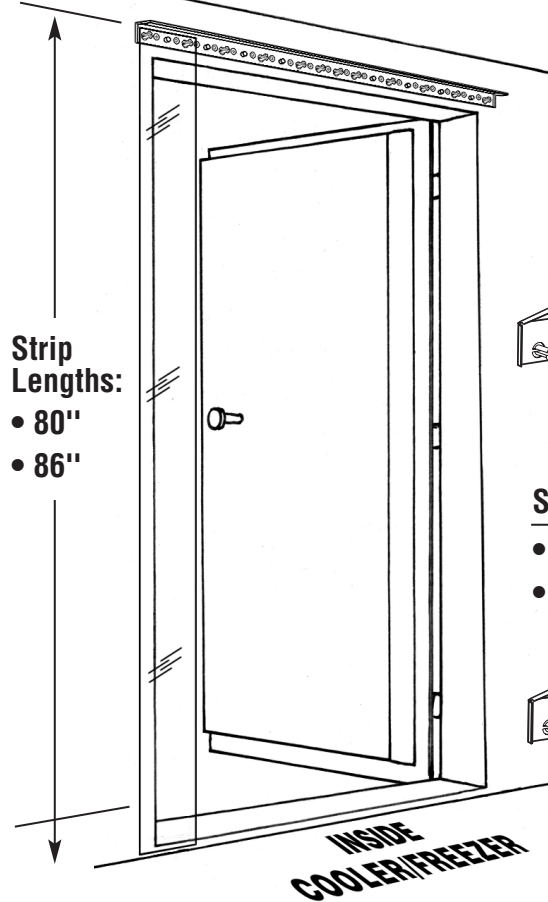
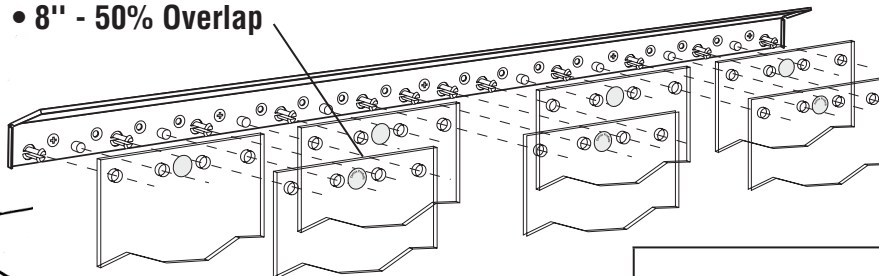
**Strip Lengths:**

- 80"
- 86"



**Strip Widths:**

- 6" - 67% Overlap
- 8" - 50% Overlap



**MODELS AVAILABLE**

- |                                      |                                       |
|--------------------------------------|---------------------------------------|
| <input type="checkbox"/> CZ-6-S-4080 | <input type="checkbox"/> CZ-6-PR-4080 |
| <input type="checkbox"/> CZ-6-S-4086 | <input type="checkbox"/> CZ-6-PR-4086 |
| <input type="checkbox"/> CZ-8-S-4080 | <input type="checkbox"/> CZ-8-PR-4080 |
| <input type="checkbox"/> CZ-8-S-4086 | <input type="checkbox"/> CZ-8-PR-4086 |

**For Freezer and Cooler Doors**

**USDA and FDA Compliant**

**Curtron** Products  
a division of TMI, LLC

5350 Campbells Run Road • Pittsburgh, PA 15205-9738  
800-833-5005 • 412-787-9750

**CURTRONIZER™ STRIP DOORS**