

# STAINLESS STEEL Drop-In Water Stations With Filler Faucets

Item #: \_\_\_\_\_ Qty #: \_\_\_\_\_

Model #: \_\_\_\_\_

Project #: \_\_\_\_\_



**DI-1-9**  
12" x 14"

**FEATURES:**

Includes K-54 deck mount faucet with "Push-back" actuator.  
**DI-1-9** features removable electro-polished stainless steel grill.  
**D-24-WSIBL & D-24-WSIBL2:**  
 12" deep insulated ice bin.  
 Removable grate covers drip pan.  
 Rubber thermal breaker to reduce condensation.  
 Supplied with stainless steel sliding cover.

**MECHANICAL:**

1" IPS drain (drip pan and ice bin)  
 Filler faucet has a cold connection with 1/2" IPS  
**Faucet meets federal lead free standards.**

**MATERIAL:**

**Jacket:** 20 gauge galvanized steel  
**Ice Bin:** 20 gauge, 300 stainless steel  
**Cover:** 20 gauge stainless steel (D-24-WSIBL and D-24-WSIBL2 only)  
**Molding:** Extruded black polyethylene thermal breaker marine edge  
**Insulation:** 2lbs. density foam-in-place insulation

**OPTIONAL:**

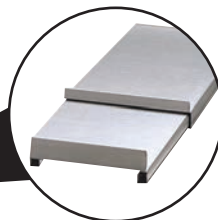
**D-12:** Replacement sliding stainless steel cover



**D-24-WSIBL**  
21" x 18"



**D-24-WSIBL2**  
18" x 21"



**Units With Ice Bins Are  
Supplied With A Sliding  
Stainless Steel Cover**

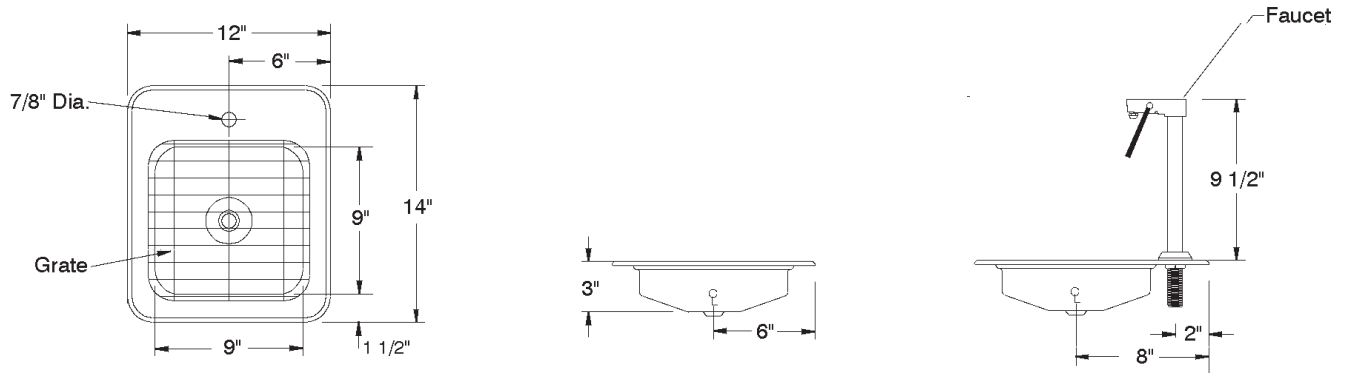
| Model #     | Description              | Outside Dimensions | Cut-Out Size      | Ice Capacity | Approx. Weight | Approx. Cu. Ft. |
|-------------|--------------------------|--------------------|-------------------|--------------|----------------|-----------------|
| DI-1-9      | Water Station            | 12" x 14"          | 11 1/4" x 13 1/4" | N/A          | 15 lbs.        | 3               |
| D-24-WSIBL  | Water Station w/ Ice Bin | 21" x 18"          | 20 5/8" x 15 1/4" | 23 lbs.      | 30 lbs.        | 5               |
| D-24-WSIBL2 | Water Station w/ Ice Bin | 18" x 21"          | 15 1/4" x 20 5/8" | 50 lbs.      | 47 lbs.        | 5               |

# DIMENSIONS and SPECIFICATIONS

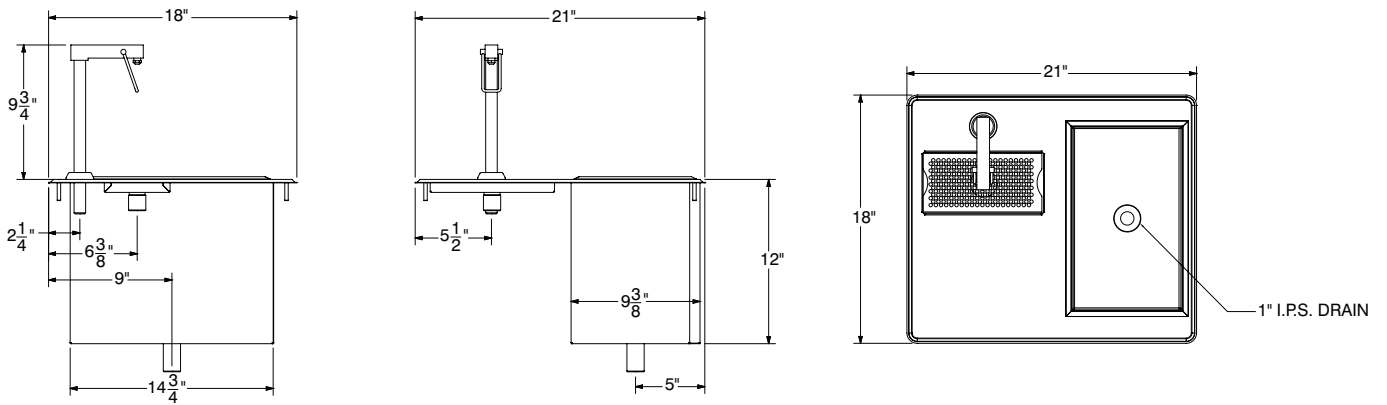
TOL Overall: ± .500" Interior: ± .250"

ALL DIMENSIONS ARE TYPICAL

## DI-1-9



## D-24-WSIBL



## D-24-WSIBL2

