



Beverage Systems

Item # _____

Project _____

Date _____



Model # D15 Single Bowl Premix Dispensers

Features

- Famous two-piece, stainless steel, dripless pouring valve is sanitary and easy to use and maintain.
- Better design and more stainless steel allow easier cleaning and less maintenance.
- Superior engineering allows full beverage cooling right down to the last drink.
- Large, 5 gallon bowl, with easy to read measuring marks.
- Super-strong, virtually unbreakable polycarbonate bowl and cover give lasting durability.
- Unique evaporator and high efficiency pump cools faster and more efficiently for faster start-ups.
- Choice of Regular (-4) or optional Stainless Steel (-3) side panels and drain tray.
- Down-to-earth design engineering makes routine servicing easier and simpler.
- Second-to-none quality with "field condition" testing.
- Optional whipper for frothed drinks.
- Agitators are included with each unit for fresh juices, coffees or teas.
- World-wide sales and service assure customer satisfaction.



GRINDMASTER™
CORPORATION

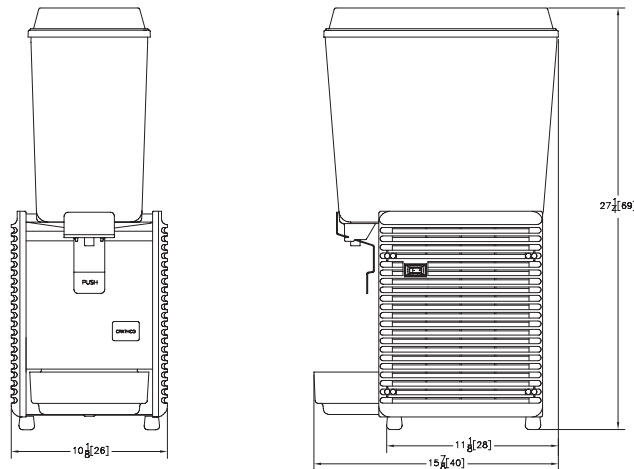


Grindmaster® Coffee Grinders and Brewers • PrecisionBrew™ Brewing Systems • Espresso® Espresso Machines
Crathco® Hot Beverage Dispensers • Crathco® Cold and Frozen Beverage Dispensers • AMW Coffee and Tea Systems
Tel (502) 425-4776 • Fax (502) 425-4664 • 1-800-695-4500 (USA & Canada only)

P.O. Box 35020 • Louisville, KY 40232 • USA
www.grindmaster.com • email: info@grindmaster.com

A City Discount

Crathco® Model # D15 Single Bowl Premix Dispensers



| Specifications | D15 | D155 | D156 |
|-----------------------------------|--|--|--|
| # Bowls | 1 | 1 | 1 |
| Bowl Capacity | 5 gallons (18.9L) | 5 gallons (18.9L) | 5 gallons (18.9L) |
| Refrigeration | 1/6 hp | 1/6 hp | 1/6 hp |
| Volts / Hz / Amps | 115V / 60Hz / 3Amp | 230V / 50Hz / 1.5Amp | 230V / 60Hz / 1.5Amp |
| Dimensions (H x W x D) | 27 1/4" x 10 1/8" x 15 7/8" (69 cm x 26 cm x 40 cm) | 27 1/4" x 10 1/8" x 15 7/8" (69 cm x 26 cm x 40 cm) | 27 1/4" x 10 1/8" x 15 7/8" (69 cm x 26 cm x 40 cm) |
| Dimensions w/ Whipper (H x W x D) | 29 3/4" x 10 1/8" x 15 7/8" (76 cm x 26 cm x 40 cm) | 29 3/4" x 10 1/8" x 15 7/8" (76 cm x 26 cm x 40 cm) | 29 3/4" x 10 1/8" x 15 7/8" (76 cm x 26 cm x 40 cm) |
| Ship Weight | 46 lbs (20.4 kg) | 46 lbs (20.4 kg) | 46 lbs (20.4 kg) |
| Ship Weight w/ Whipper | 50 lbs (22.7 kg) | 50 lbs (22.7 kg) | 50 lbs (22.7 kg) |
| Cup Height | 8 1/4" (20.3 cm) | 8 1/4" (20.3 cm) | 8 1/4" (20.3 cm) |
| Cup Height w/ Whipper | 5 1/2" (12.7 cm) | 5 1/2" (12.7 cm) | 5 1/2" (12.7 cm) |
| Listings | UL, NSF, CUL | NSF, CE | NSF, CE |

Specifications are subject to improvement or change without notice.

| Standard Options* | |
|---|---|
| Side panels & drip tray | -3 Stainless steel material (additional charge), -4 off-white high impact plastic (standard - no additional charge) |
| Valve cap (part# 2039) | Improves sealing of valve when using pulpy products |
| Valve locking box (part# 2502) (use w/ standard handle) | Secures the valve from dispensing during off-hours - not to be used with non-contact handle |
| Liquid Auto Fill (part# 90295) | Ensures proper product and mixing consistency, maintains optimum product level in bowls, eliminates need for frequent manual mixing |
| Shipboard kit (part# 5925) | Makes unit safer for installation aboard marine vessel; only available for use with agitator |
| Milk Fat Impellers | Use with milk-based products, and/or products with heavy pulp |
| Condensation Control | Direct and conceal condensation in high humidity or outdoor locations |

| Custom Options* (available with minimum purchase quantity) | |
|---|---|
| Frosted Bowls 5 gal. (18.9L) | Frosted surface simulates condensation while helping hide product residue and offering added UV protection. |
| Frosted Lid | Lid with frosted surface for use with 5 gallon (18.9L) frosted bowls |
| Whippers (must be ordered when ordering machine), add W before model number | Great for iced cappuccinos and iced coffee. Whips beverage upon dispensing to create a frothy top on drink. |

* Additional cost applies



GRINDMASTER™
CORPORATION



Tel (502) 425-4776 • Fax (502) 425-4664 • 1-800-695-4500 (USA & Canada only)

P.O. Box 35020 • Louisville, KY 40232 • USA

www.grindmaster.com • email: info@grindmaster.com

© Grindmaster Corporation, 2002
Printed in USA

0406 Form # CC-274-03

A City Discount