

Tray Starter Station

Stainless Steel

Model DCD-2612



Model DCD-2612

Keep Tray Line Starter Supplies At Easy Reach

Benefits

- Easily positioned to the beginning of the tray line
- Ample flexible storage for starter items

Features

- Rugged welded square tubing construction
- Accepts hanging bins and various sizes of pans
- Flat top surface for additional supply storage

Casters

- 5" diameter with rounded cushion-tread (2 ea. with brake) for quiet, easy movement on tile floors

Spec. # _____

AIA # _____

Specifications:

Unit shall be of stainless steel welded 1", 16-gauge square tubing construction. Top storage shelf shall be 16-gauge stainless steel. Back panel shall be 16-gauge stainless steel and shall feature grooved ledge to accept plastic hanging bins (not included). Square tubing pan frame shall accommodate full-, half- or third-size plastic or stainless steel pans (not included). Four each casters shall be square stem-mount type, all-swivel, with 5" non-marking rounded cushion tread. Two each casters shall have brake.

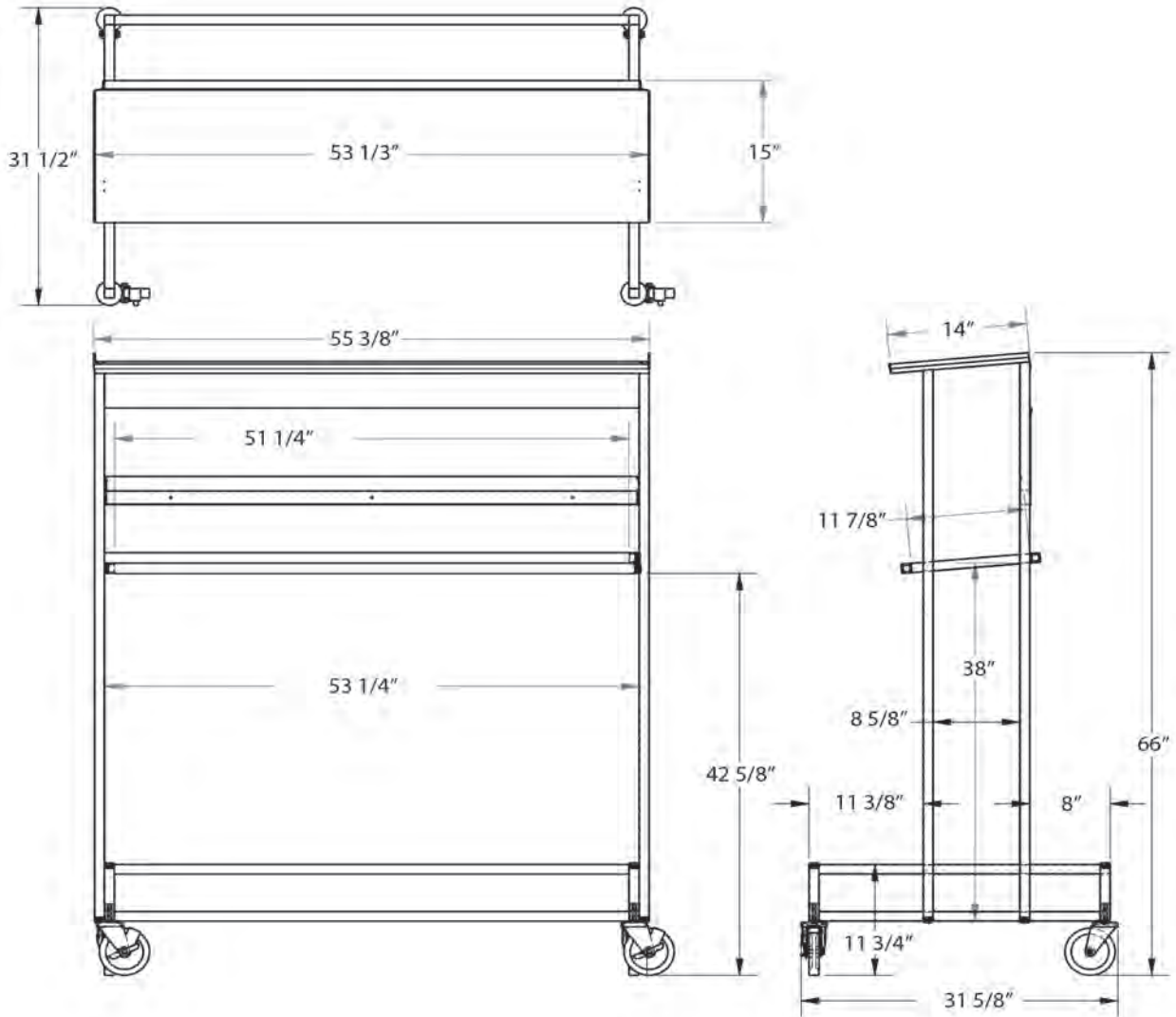
Lakeside Manufacturing, Inc.

4900 West Electric Avenue • West Milwaukee, WI 53219 U.S.A.

800-558-8565 • 414-902-6400 • Fax 414-902-6446 • info@eLakeside.com • www.eLakesideFoodservice.com

Tray Starter Station

Stainless Steel



Spec. #

AIA #

Product Information:

Model	Overall Size			Accommodates	Casters		Case Wt. Lbs.
	W	D	H		Type	Dia.	
DCD-2612	56 ⁷ / ₈ " (1443)	31 ⁵ / ₈ " (802)	66" (1676)	Hanging Bins 1/3, 1/2 Pans	All. Swivel 2 Ea. Brake	5" (127)	115 (52.2 kg)

Dimensions in () denote metric millimeters, unless otherwise noted.



Lakeside Manufacturing, Inc.
 4900 West Electric Avenue • West Milwaukee, WI 53219 U.S.A.
 800-558-8565 • 414-902-6400 • Fax 414-902-6446
 info@eLakeside.com • www.eLakesideFoodservice.com