

## DCR Series, High Volume Curved Glass Refrigerated Deli Display Case



*model shown DCR-48*

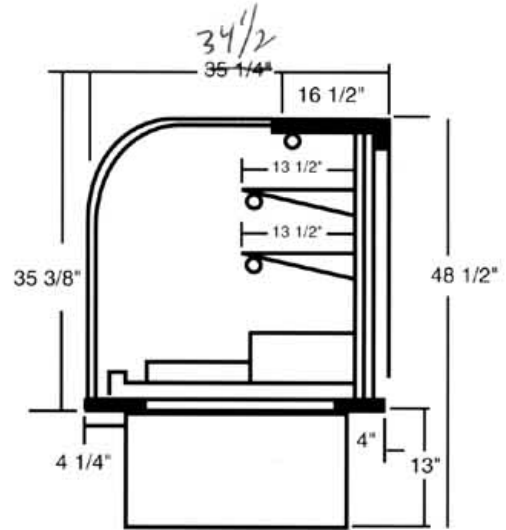
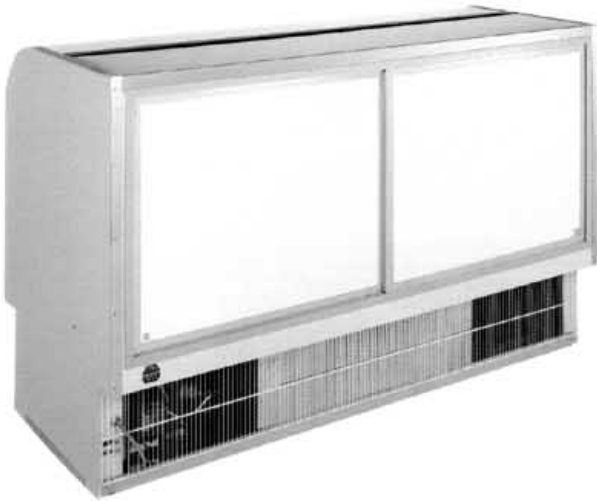


7453 Northwest 32nd Avenue, Miami, Florida 33147 • (305) 691-0500  
Fax (305) 691-1212

A City Discount



DCR Series, Curved Glass Deli Display Cases



**STANDARD FEATURES**

- Curved insulated safety glass
- Full length fluorescent lighting installed at top of case and under each shelf
- Electrical cord and plug
- Air cooled low velocity refrigeration system mounted on easy removable slide in and out base
- Two adjustable stainless steel shelves
- Hundreds of colors at **NO** additional cost
- Mirror interior ends
- Mirror interior sliding doors, white on exterior doors
- Mirror stainless steel top
- Mirror stainless steel front grill
- Stainless steel step up display on main deck
- Condensate evaporator eliminates need for drain

model	length	height	depth	row of shelves	amps	voltage	H.P.	est. weight
DCR-48	49" 48"	48 1/2"	34 1/2" 35 1/4"	2	12 amps	120/60/1	1/3	665 lbs
DCR-59	60" 59"	48 1/2"	34 1/2" 35 1/4"	2	16 amps	120/60/1	1/2	780 lbs
DCR-77	78" 77"	48 1/2"	34 1/2" 35 1/4"	2	16 amps	120/60/1	1/2	970 lbs

**NOTE:** Designed for use in locations with air conditioning, where temperature and relative humidity DO NOT exceed 75°F and 55% R.H. (Excessive condensation & loss of temperature may occur).

We reserve the right to change specifications and or colors of interior and or exterior parts at our own discretion without notice.



7453 Northwest 32nd Avenue, Miami, Florida 33147 • (305) 691-0500  
Fax (305) 691-1212