



# Deep Drawn 3 Compartment Drop-In Sink

## Drop In Sinks

### Certifications:



### Features:

- Deep Drawn Construction for a seamless and more appealing design
- Traditional Top Mount
- Includes (3) BKDR-4 Drains
- Faucet Holes 4" O.C.
- 1 Year Warranty

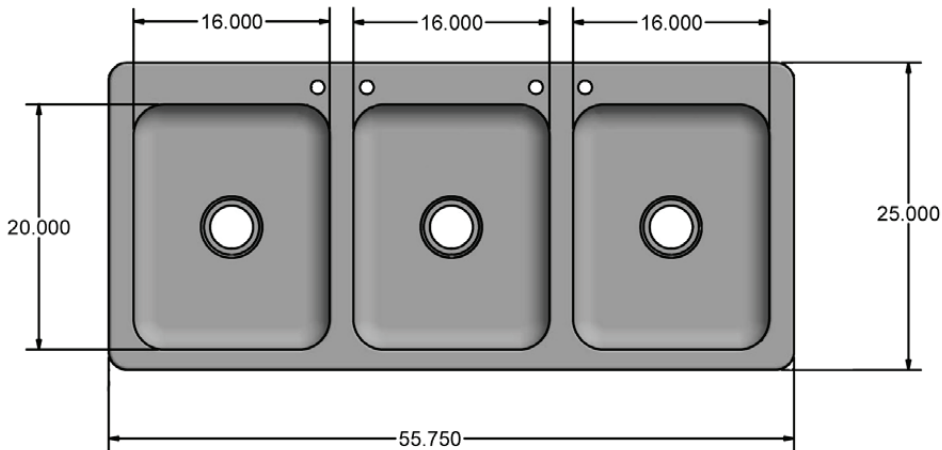
### Material:

- T-304 18 ga. Stainless Steel

### Options:

- Upgrade to OptiFlow Heavy Duty Faucets or Evolution Stainless Steel Faucets
- Wrist Blades
- "-P-G" Includes (2) BKD-10-G Lead-Free Faucet

Part Number	Unit Size (l x w x d)	Bowl Size (l x w x d)	Included Faucet
DDI3-162012224	55 <sup>3/4</sup> " x 25" x 12" (d)	16" x 20" x 12" (d)	-
DDI3-162012224-P-G	55 <sup>3/4</sup> " x 25" x 12" (d)	16" x 20" x 12" (d)	(2) BKD-10-G



# Deep Drawn 3 Compartment Drop-In Sink

Drop In Sinks

## Recommended Cutout Size

