

## DD/DD-CG/DD-L SERIES

### Deluxe Ice Cream Dipping/Display Merchandisers

STANDARD MODELS	CURVED GLASS MODELS	LOW GLASS MODELS
<input type="checkbox"/> DD-26	<input type="checkbox"/> DD-26CG	<input type="checkbox"/> DD-26L
<input type="checkbox"/> DD-46	<input type="checkbox"/> DD-46CG	<input type="checkbox"/> DD-46L
<input type="checkbox"/> DD-66	<input type="checkbox"/> DD-66CG	<input type="checkbox"/> DD-66L
<input type="checkbox"/> DD-88	<input type="checkbox"/> DD-88CG	<input type="checkbox"/> DD-88L

## FEATURES

### CONSTRUCTION

- Attractive, contemporary design
- 24 gauge painted textured interior and exterior
- Equipped with leveling legs to correct for unlevel flooring situations
- Rear air intake and discharge eliminates front grille and allows full front of cabinet for graphics
- Independent on/off compressor and light switch
- Stainless steel top and attached superstructure
- Tempered plate glass viewing window
- Drain with garden hose connector for ease of cleaning
- Brilliant, interior fluorescent lighting
- Stainless steel serving deck
- Top and side lid wiper gaskets
- Heavy-duty epoxy-coated wire can support racks

- 9 ft. long cord with molded plug
- 2 1/4" foamed-in-place "zero ODP" urethane insulation
- Number and length of interior light fixtures:
  - DD-26/26CG/26L... (1) 18"
  - DD-46/46CG/46L... (1) 36"
  - DD-66/66L.... (1) 18", (1) 36"
  - DD-66CG..... (2) 18"
  - DD-88/88CG/88L... (2) 36"

### LIDS

- Hinged, high-tensile, transparent acrylic dipping compartment lids with full length handle

### REFRIGERATION

- Refrigerant:
  - DD-26/26CG/26L, DD-46/46CG/46L....R-134a
  - DD-66/66CG/66L, DD-88/88CG/88L... R-404A
- Cold wall evaporator

- Low maintenance bare tube condenser coil on all models except DD-26/26CG/26L
- No minimum clearance required on cabinet sides but front, back and top must be left open for customer and operator access
- Temperature range: 5° to -5°F (-15° to -21°C)
- R-factor (insulation efficiency rating): 19.40

### WARRANTY

- Standard limited two year parts and labor
- Additional three year coverage on compressor part

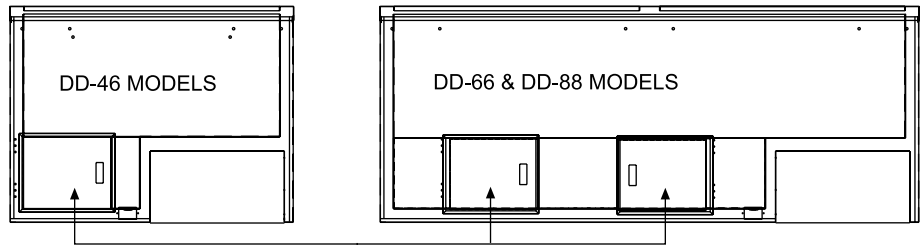
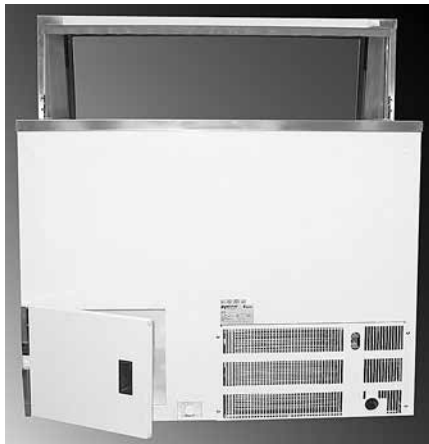


## DD/DD-CG/DD-L SERIES

### DELUXE ICE CREAM DIPPING/DISPLAY MERCHANDISERS

#### OPTIONS

- Rear service doors for DD-46, DD-66 and DD-88 models (factory installed)
- Custom colors
- Removable can holders with white overnight can covers
- Dipper well
- Removable frost shields
- Leg kit
- Casters
- Lid locking kit (less locks)
- Flavor identification tabs (for DD and DD-CG models only)

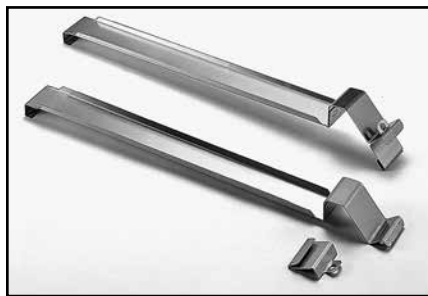


11.75" x 14.625" DOOR OPENING  
DOOR SIZE: 13.25" X 16.125"

#### REAR SERVICE DOOR FOR DD-46, DD-66 AND DD-88



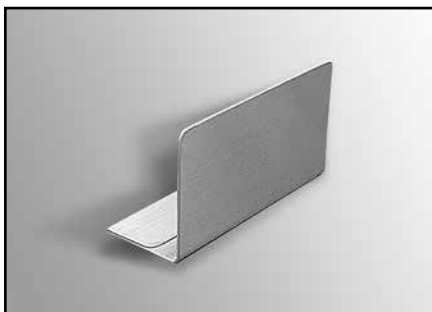
**FROST SHIELDS**



**LID LOCKING KIT**



**CAN HOLDERS**



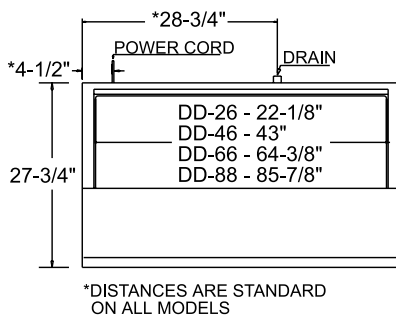
**FLAVOR IDENTIFICATION TAB**

## TECHNICAL SPECIFICATIONS

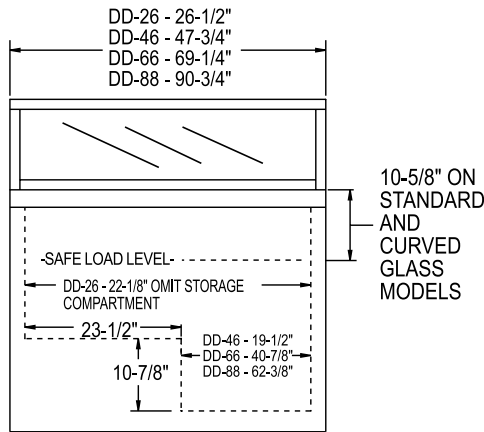
MODEL	DIMENSIONS (in.)			DIMENSIONS (mm)			VOLTS	AMPS	UNIT H.P.	CAN CAP.** DISPLAY/STORAGE	CAP. CU. FT.†	SHIP CU. FT.	SHIP WT. LB/KG
	L	D	H	L	D	H							
DD-26/26CG/26L	26 <sup>1</sup> / <sub>2</sub>	27 <sup>3</sup> / <sub>4</sub>	*	673	705	*	115	7.4	1/3	4/0	3.5	38.0	240/109
DD-46/46CG/46L	47 <sup>3</sup> / <sub>4</sub>	27 <sup>3</sup> / <sub>4</sub>	*	1213	705	*	115	7.5	1/2	8/4	9.6	54.0	370/168
DD-66/66CG/66L	69 <sup>1</sup> / <sub>4</sub>	27 <sup>3</sup> / <sub>4</sub>	*	1759	705	*	115	9.7	1/2	12/8	16.0	76.0	495/225
DD-88/88CG/88L	90 <sup>3</sup> / <sub>4</sub>	27 <sup>3</sup> / <sub>4</sub>	*	2305	705	*	115	11.5	3/4	16/12	22.5	97.0	600/273

\*Height of standard and low glass models: 50" (1270mm), curved glass models: 52" (1321mm). \*\*Capacities in 9<sup>1</sup>/<sub>2</sub>" diameter, 3 gallon cans.

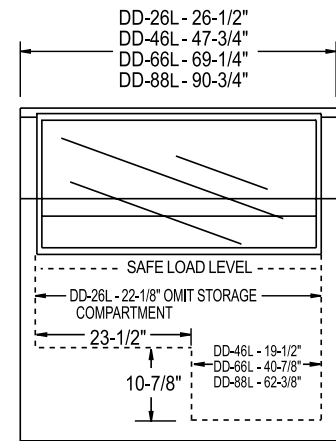
†Measured to the load line level.



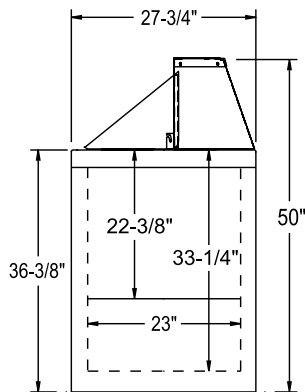
**PLAN VIEW**



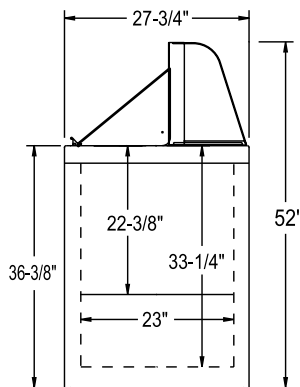
**STANDARD & CURVED GLASS ELEVATION VIEW**



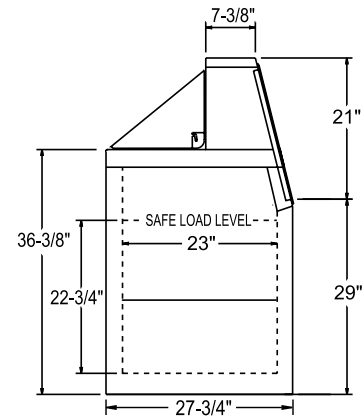
**LOW GLASS ELEVATION VIEW**



**STANDARD SIDE VIEW**



**CURVED GLASS SIDE VIEW**



**LOW GLASS SIDE VIEW**

## LISTINGS



## HOOKUP

Via plug in, 9 foot long, flexible 3 wire 14/3 cord with molded plug. Drain hookup has standard garden hose connection.





## DD/DD-CG/DD-L SERIES

### DELUXE ICE CREAM DIPPING/DISPLAY MERCHANDISERS

#### BID SPECIFICATIONS

Item no. DD-\_\_\_\_\_  
Provide \_\_\_\_\_ ( )  
Deluxe Ice Cream Dipping/Display Merchandiser(s), Master-Bilt® model no. DD-\_\_\_\_\_.

Cabinet will feature textured finish on interior and exterior. Cabinet to be provided with independent on/off compressor and light switch, drain connection, stainless steel top and superstructure, tempered plated glass viewing window and interior fluorescent lighting. Cabinet is to

have rear air intake and discharge. Standard leveling legs provided to correct for unlevel flooring situations. Hanging frost shields with mounting screws offered as an option (consult your Master-Bilt® representative for additional options).

Cabinet will be provided with 9 foot cord and molded plug.

DD-26/26CG/26L and DD-46/46CG/46L will use R-134a refrigerant while DD66/66CG/66L and DD-88/88CG/88L will use

R-404A refrigerant. The temperature range will be 5° to -5°F (-15° to -21°C). All models except DD-26/26CG/26L to be supplied with a refrigeration system containing low maintenance bare tube condenser coil.

Cabinet to have standard limited two year parts and labor with additional three year coverage on compressor part.

Cabinet to be UL, C-UL and NSF listed.

**NOTE:** Cabinet designed for optimum performance in air-conditioned area at 75°F ambient and 55% relative humidity. All specifications subject to change without notice.



908 Highway 15 North • New Albany, MS 38652  
PHONE: 800-647-1284 or 662-534-9061 • FAX: 800-232-3966 or 662-534-6049 • [www.master-bilt.com](http://www.master-bilt.com)

