



SELF-CONTAINED DIRECT DRAW



DDS84 shown

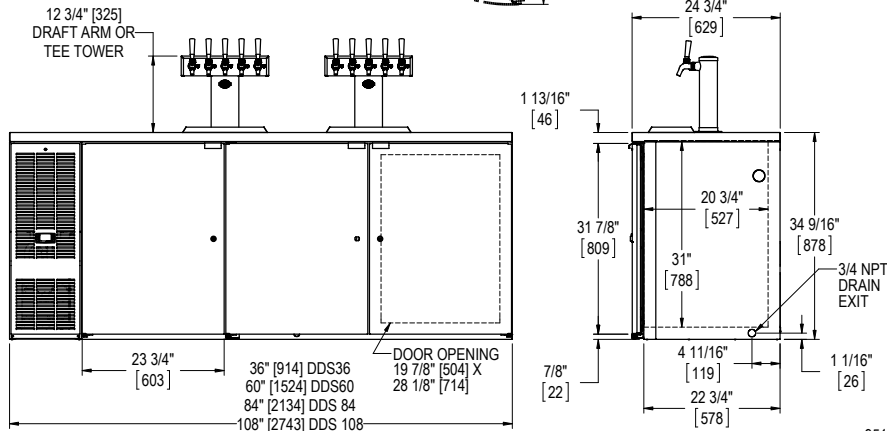
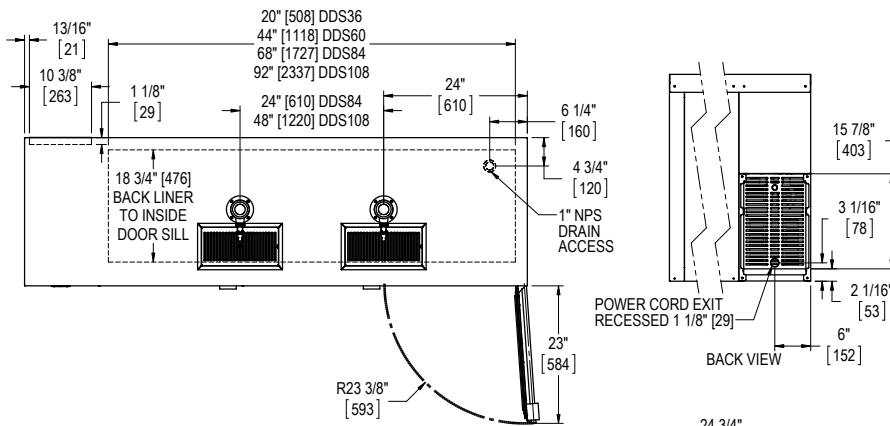
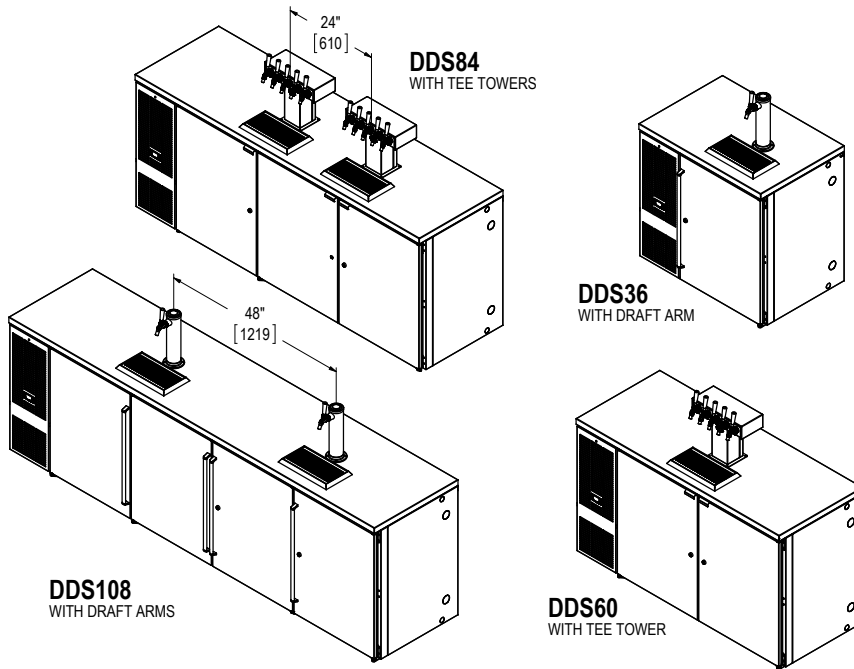
JOB	
AREA	
ITEM NO.	
MODEL NO.	

DDS36	Single Door Model
DDS60	2-Door Model
DDS84	3-Door Model
DDS108	4-Door Model



MODEL NUMBERS		DDS36	DDS60	DDS84	DDS108
NUMBER OF DOORS		1	2	3	4
EXTERIOR CABINET DIMENSIONS	Length - in. (mm)	36" (914mm)	60" (1524mm)	84" (2134mm)	108" (2743mm)
	Depth - in. (mm)	24.75" (629mm)	24.75" (629mm)	24.75" (629mm)	24.75" (629mm)
	Height - in. (mm)	35" (878mm)	35" (878mm)	35" (878mm)	35" (878mm)
INTERIOR CABINET DIMENSIONS	Length - in. (mm)	20" (508mm)	44" (1118mm)	68" (1727mm)	92" (2337mm)
	Depth - in. (mm)	18.75" (476mm)	18.75" (476mm)	18.75" (476mm)	18.75" (476mm)
	Height - in. (mm)	28.5" (724mm)	28.5" (724mm)	28.5" (724mm)	28.5" (724mm)
INTERNAL VOLUME Net. Cu. Ft. (liters)		7.4 (210lt)	16 (453lt)	24.8 (702lt)	33.5 (949lt)
SHIPPING WEIGHT Lbs. (kg.)		227# (102kg)	340# (154kg)	490# (222kg)	671# (304kg)
ELECTRICAL SPECIFICATIONS	Electrical Supply	120 VAC/60 Hz/1 Ph	120 VAC/60 Hz/1 Ph	120 VAC/60 Hz/1 Ph	120 VAC/60 Hz/1 Ph
	Running Load Amps	3.2	5.5	6.3	6.3
	Electrical Connection	Cord Connected	Cord Connected	Cord Connected	Cord Connected
	Cord Plug Type	NEMA 5-15	NEMA 5-15	NEMA 5-15	NEMA 5-15
	Cord Length	8'	8'	8'	8'
	Defrost Initiation	Automatic	Automatic	Automatic	Automatic
	Defrost Type	Off Cycle	Off Cycle	Off Cycle	Off Cycle
	Thermostat	Digital Control	Digital Control	Digital Control	Digital Control
REFRIGERATION SPECIFICATIONS	Horsepower	1/5	1/4	1/3	1/3
	Refrigerant	R134a	R134a	R134a	R134a
	Refrigerant Charge	6.5	7.0	7.0	7.0
	Factory Temperature Setting-Refrigerator	38 (3.3)	38 (3.3)	38 (3.3)	38 (3.3)
	Temperature Range-Refrigerator	33-40 (0.5-4.5)	33-40 (0.5-4.5)	33-40 (0.5-4.5)	33-40 (0.5-4.5)
	Condensing Unit Location	Left or Right	Left or Right	Left or Right	Left or Right
	Expansion Device	Capillary Tube	Capillary Tube	Capillary Tube	Capillary Tube
	Pull Out Condensing Unit	Yes	Yes	Yes	Yes
	Front Vented	Yes	Yes	Yes	Yes
PLUMBING	Floor Drain Included	Yes	Yes	Yes	Yes
	Evaporator Condensate	Automatically	Automatically	Automatically	Automatically

SELF-CONTAINED DIRECT DRAW



95180
REV A
DAS
6/10/13

Form No. 95171
Rev. 06.11.2013