

Project _____
 Item _____
 Quantity _____
 CSI Section 11400
 Approved _____
 Date _____

Models

- PWT-36 36" work table
- PWT-48 48" work table
- PWT-60 60" work table
- PWT-74 74" work table



PWT-60

Standard Features

- One piece, molded fiberglass pylon (base), fully rounded corners, permanent color
- All corners and center sides reinforced with galvanized bracing, laminated into the fiberglass
- 14-gauge tops
- Fire Code rating on fiberglass, laminate, canopy materials
- Mounted on 5" diameter polyurethane swivel casters for easy cleaning
- Caster mounting plates laminated into base
- Easy to use stainless steel interlock system on base and tray slides
- All body cutouts reinforced with 14-gauge channel supports
- One year parts and 90 day labor warranty

Options & Accessories

- 10" (25cm) wide composite fold-down cutting boards
- 10" (25cm) wide stainless steel fold-down work shelf
- Stainless steel locking utility drawer
- 12" (30cm) wide 18-gauge stainless steel overshell
- Stainless steel 16-gauge undershell
- Stainless steel trim strips
- Silverware cutouts with plastic bins (6, 8 or 10)
- 14" x 30" (36cm x 76cm) stainless steel end drop shelf
- Molded fiberglass trim strips
- Adjustable stainless steel legs

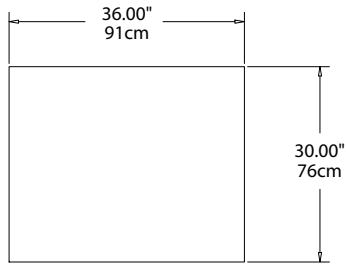
Specifications

Exterior body is seamless, one-piece molded fiberglass, having perfectly smooth exterior surfaces and all corners fully rounded. The fiberglass reinforced polyester (F.R.P.) is molded with permanent color. Stress points are internally reinforced.

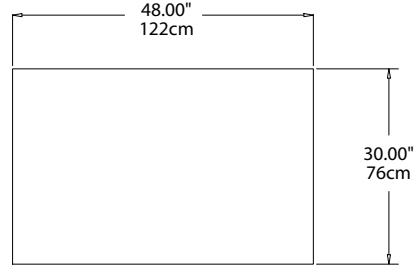
Exterior top is constructed of 14-gauge stainless steel, welded, ground and polished into one integral unit. Top is fabricated with square exterior corners.

Castors: Unit is mounted on 5" (13cm) diameter swivel casters with non-marking polyurethane tires and plate brakes. Overall height of caster assembly is 6.00" (15cm).

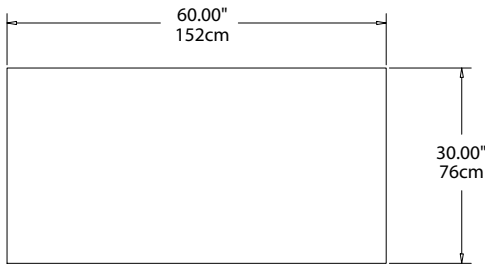




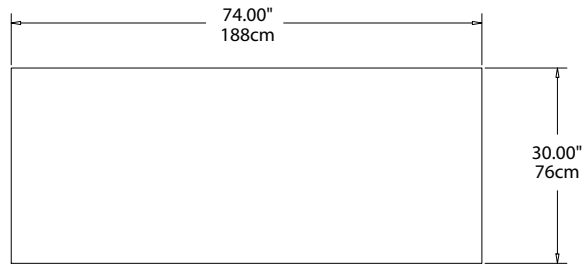
Plan View
PWT-36



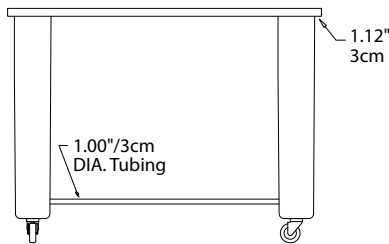
Plan View
PWT-48



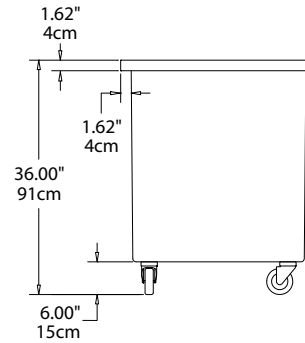
Plan View
PWT-60



Plan View
PWT-74



Elevation View
All PWT Models



Right End View
All PWT Models

Specifications

Model	L	D	H	Ship Weight LBS/KG
PWT-36	36"	30"	36"	100/45
PWT-48	48"	30"	36"	158/72
PWT-60	60"	30"	36"	200/91
PWT-74	74"	30"	36"	230/104

Delfield reserves the right to make changes to the design or specifications without prior notice.

PWT Mobile Work Tables