



Shelleysteel™

By Delfield

SC-TRI Triangle Corner Unit

Project _____

Item _____

Quantity _____

CSI Section 11400

MODELS

- SC-TRI** Triangle corner unit, enclosed base
- SC-TRIOS** Triangle corner unit, open shelf



SC-TRIOS



STANDARD FEATURES

- 14-gauge stainless steel tops standard
- 18-gauge stainless steel exterior body
- Standard on 5" diameter polyurethane swivel casters for easy cleaning
- Stainless steel fully retractable interlock provided as standard
- A wide selection of laminate colors available at no additional charge
- Easy, soap and water cleanable, durable stainless steel surfaces
- One-year parts and 90 day labor standard warranty. Additional warranties available.

OPTIONS AND ACCESSORIES

- Tray slides
 - 12" wide stainless steel fold down
 - 9" wide three bar fold down
 - Mitered corners
- Ferruled holes
- Cutting board
 - Composite
 - Sanalite
- Stainless steel work self
- Line up interlock device
- Food shields
- Convenience outlet with breaker
- 6" high adjustable stainless steel legs in lieu of casters
- Laminate exterior base finish
- Decal package
- Modified height, contact factory
- Modified depth, contact factory

SPECIFICATIONS

Exterior: Exterior body is constructed of 18-gauge stainless steel side panels and 14-gauge galvanized bottom. All exterior side panels are reinforced with overlapping corners and are welded in place. All insert cutouts are reinforced with 14-gauge galvanized channel supports.

Exterior top shall be one piece, 14-gauge stainless steel, welded, ground and polished into one integral unit. Top is fabricated with square exterior corners with fully hemmed nosing on all sides. Stainless steel fully retractable interlocks are installed on opposing corners and locks units into a complete serving system.

SC-TRIOS only:

Body Interior: Open understorage to be lined with 18-gauge stainless steel. Open shelf is totally enclosed on all sides and can be accessed without removing the top.

Casters: Unit is mounted on 5" (12.7cm) diameter swivel polyurethane casters with non-marking tires and plate brakes. Casters are bolted directly to the 14-gauge bottom of the base. Overall height of caster assembly is 6.00" (15.2cm).

Styling: Units are standard with 18-gauge stainless steel exterior sides. Laminate is an option available at no additional charge. Decal packages and canopies are also available.

SC-TRI SHELLEYSSTEEL™ TRIANGLE CORNER UNIT



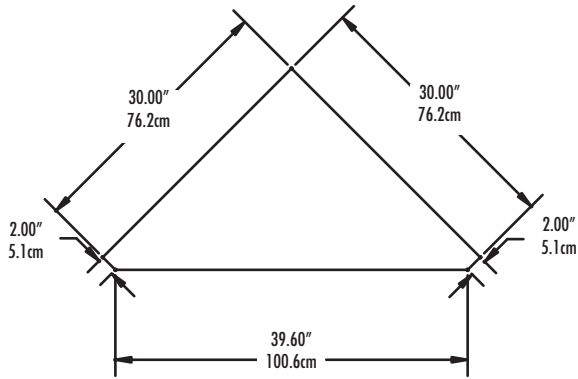
980 S. Isabella Road
Mt. Pleasant, MI 48858
www.delfield.com

Phone: 800-733-8948
Fax: 800-669-0619
Email: info@delfield.com

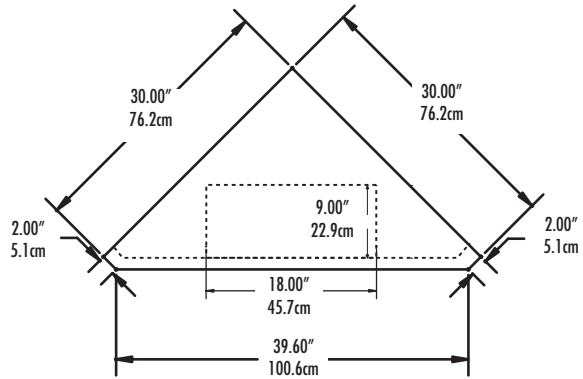
Approval _____

Date _____

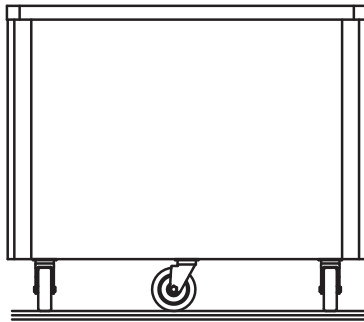
SC-TRI - Shelleysteel triangle corner unit



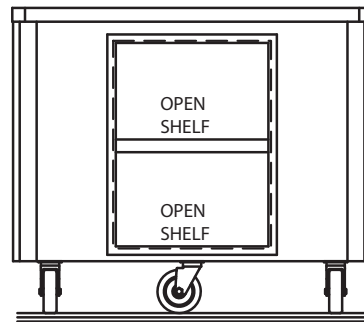
Plan View SC-TRI



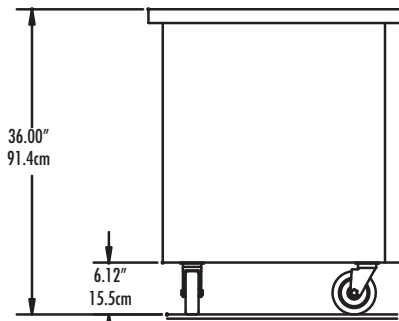
Plan View SC-TRIOS



Elevation View SC-TRI



Elevation View SC-TRIOS



End View All Models

MECHANICAL DATA:

MODEL	DESCRIPTION	NUMBER OF SHELVES	SHIP WEIGHT
SC-TRI	ENCLOSED BASE	NA	160
SC-TRIOS	OPEN SHELF	1	160