

Shelleyglas™
by Delfield
KCSC-EF

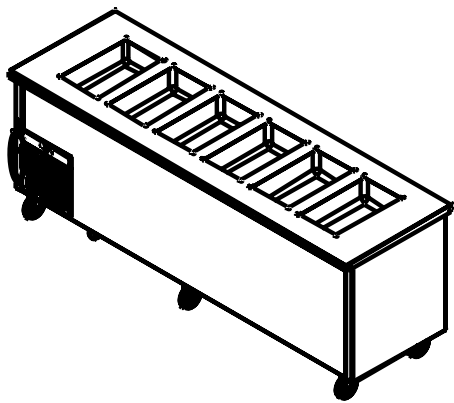
Mobile Self-Contained LiquiTec® Cold Pan Serving Counters

Project _____
Item _____
Quantity _____
CSI Section 11400
Approved _____
Date _____

KCSC-EF: Mobile Self-Contained LiquiTec® Cold Pan Serving Counters

Models

- KCSC-36-EF Two 12" x 20" pan openings, 36" in length serving counter
- KCSC-50-EF Three 12" x 20" pan openings, 50" in length serving counter
- KCSC-60-EF Four 12" x 20" pan openings, 60" in length serving counter
- KCSC-74-EF Five 12" x 20" pan openings, 74" in length serving counter
- KCSC-96-EF Six 12" x 20" pan openings, 96" in length serving counter



KCSC-EF

Standard Features

- One piece, molded fiberglass pylon (base), fully rounded corners, permanent color
- All corners and center sides reinforced with galvanized bracing, laminated into the fiberglass
- Fire Code rating on fiberglass, laminate, canopy materials
- 14-gauge tops
- All units are standard on 5" diameter polyurethane swivel casters for easy cleaning
- Caster mounting plates laminated into base
- Enclosed bases for sanitation
- A maximum 10' long cord and plug are supplied standard
- Uses environmentally friendly R404A refrigerant
- Electrical connections are 60 hertz, single phase
- Counter heights available from 28" to 36" in 2" increments
- Unit has on/off switch mounted on the exterior
- The LiquiTec cold pan has two – six die stamped openings with depressed edges in each well, holding one 12" x 20" pan (pans supplied by others)
- All KCSC-EF models meet NSF 7 with pans completely flush with counter
- Cold pan is fully insulated with foamed in place environmentally friendly, Kyoto Protocol Compliant,

Non ODP (Ozone Depletion Potential), Non GWP (Global Warming Potential) polyurethane insulation

- One year parts and 90 day labor standard warranty

Options & Accessories

- Tray slides and work shelves
- Line-up interlock device
- Food shields
- 12" (30.5cm) wide 18-gauge stainless steel overshell
- Fluorescent light fixtures*
- Incandescent light fixtures*
- Open understorage with shelf
- 120V/60Hz/1Ph, 10 amp convenience outlet with breaker*
- 14" x 30" (35.6cm x 76.2cm) stainless steel end drop shelf
- Molded fiberglass trim strips
- 6" (15.2cm) high adjustable stainless steel legs
- Decal packages
- *Inclusion of these options will alter the electrical specifications of unit

Specifications

Exterior Body is seamless, one-piece molded fiberglass, having perfectly smooth exterior surface with all corners fully rounded. The fiberglass reinforced polyester (F.R.P.) is molded with permanent color. Stress points are internally reinforced.

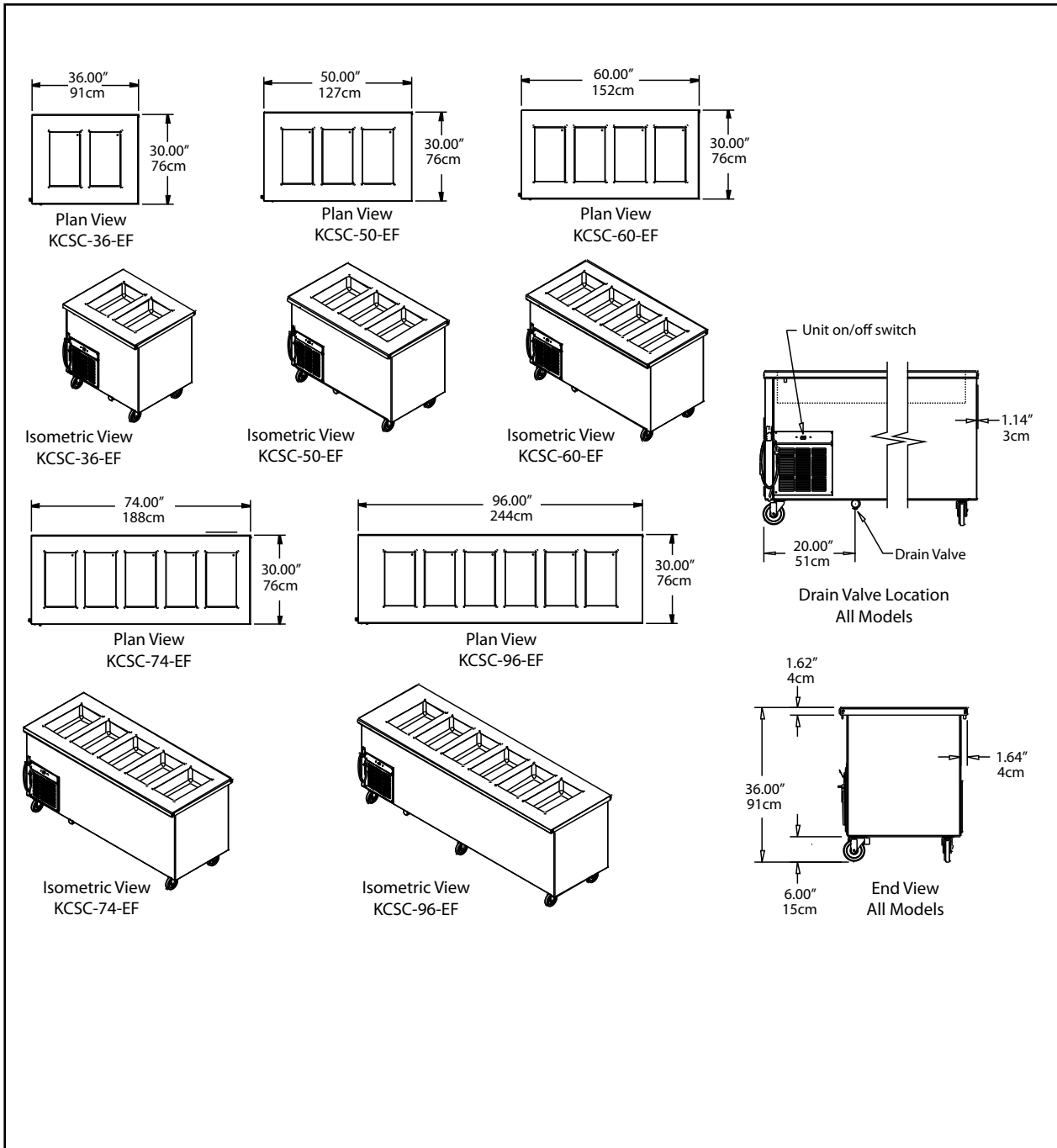
Exterior top is constructed of 14-gauge stainless steel, welded, ground and polished into one integral unit.

The LiquiTec cold pan has 2-6 die stamped 19.87" x 11.87" (50.5cm x 30.2cm) openings with depressed edges. Formed well below each opening is 6.25" (15.9cm) deep with .5" drain manifold to gate valve. Each well, flush with the top, for flush mount pans to accommodate 12" x 20" (30.5cm x 50.8cm) pans 4" (7.6cm) or 6" (15.2cm) deep, supplied by others. Product temperatures of 33°F (1°C) to 41°F (5°C) are maintained at 86°F (30°C) ambient room temperature, meeting NSF7 requirements. The cold pan is separated from the exterior top by a thermal break. Copper refrigeration tubing is attached to the sides of every well. Eutectic fluid is used as the heat transfer medium. Cold pan is fully insulated with foamed in place environmentally friendly, Kyoto Protocol Compliant, Non ODP (Ozone Depletion Potential), Non GWP (Global Warming Potential) polyurethane insulation.

Refrigeration system uses HFC-404A refrigerant and has a self-contained 115 volt, 60 Hertz, single phase hermetically sealed condensing unit with adjustable cold pan pressure control. Unit is wired with a 3-wire, grounded, maximum 10' (3m) cord and plug. Unit has an on/off switch mounted on the exterior.

Castors: Unit is mounted on 5" (12.7cm) diameter swivel casters with non-marring polyurethane tires and plate brakes. Overall height of caster assembly is 6.12" (15.5cm).





KCSC-EF

Specifications						
Model	V/Hz/Ph	Amps	H.P.	Nema Plug	Ship Weight	System BTU
KCSC-36-EF	115/60/1	7.0	1/4	5-15P	350lbs/159kg	1102
KCSC-50-EF	115/60/1	7.0	1/4	5-15P	425lbs/193kg	1240
KCSC-60-EF	115/60/1	7.0	1/4	5-15P	500lbs/227kg	1343
KCSC-74-EF	115/60/1	7.0	1/4	5-15P	575lbs/261kg	1423
KCSC-96-EF	115/60/1	7.0	1/4	5-15P	650lbs/295kg	1487

Delfield reserves the right to make changes to the design or specifications without prior notice.