

Champion®

The Dishwashing Machine Specialists

Project _____
Item No. _____
Quantity _____

GENESIS HOOD TYPE DIRECT VENT

DH5000 — DIRECT VENT MODEL (DV)

EXCLUSIVE FEATURES

- 4 inch round duct opening allows steam to be evacuated through an adjacent outer wall or up to 50 feet away with 250 CFM fan (optional)
- Upper vent captures any residual steam escaping when the hood is open

STANDARD FEATURES

- ENERGY STAR® Qualified
- No hood or canopy required
- Field convertible from straight through to corner
- Bottom mounted digital controls (coloured LED zones and numbers)
- Standard and extended wash cycles
- Rinse sentry – ensures 180° final rinse
- Steam and heat load are decreased
- Booster configured for 40 to 70°F rise standard

INDUSTRY EXCLUSIVE

GENESIS

DH5000 High Temperature Hood Type Dishwashing Machine



Optional Vent
Supplied by Others

Photo is for general visual representation only. Please refer to specifications for the latest detailed product information.

GENESIS



OPTIONS & ACCESSORIES

- Door interlock – locks door closed during the vent fan cycle (DV & VHR)
- Drain water tempering kit
- 250 CFM steam extraction fan
- Flanged feet
- Racks
 - Peg
 - Flat

SPECIFIER STATEMENT – Direct Vent Model

Specified unit shall be Champion model Genesis DH5000 **direct vent** high-temperature hood-type dishwashing machine. Unit shall be equipped with 4 inch round duct opening for direct steam evacuation as well as an upper vent to capture residual steam escaping when hood is open. A 250 CFM fan will be offered (as an option) for steam evacuation up to 50 feet away.

2674 N. Service Road,
Jordan Station, Ontario, Canada L0R 1S0
Tel: 800/263-5798 Fax: 905/562-4618

GENESIS

DH5000 High Temperature Hood-type Dishwashing Machine

Shipping weight crated: 350 lbs.

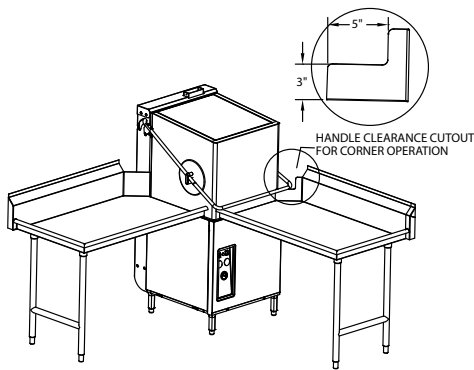
DIRECT VENT MODEL (DV)

Allows unit to vent to the outside

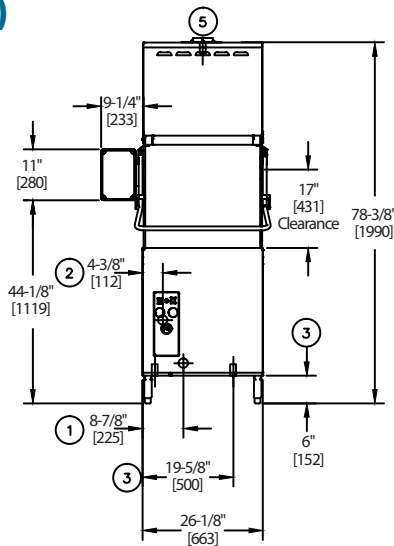
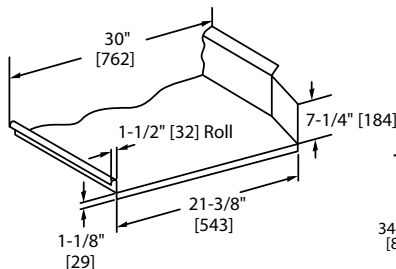
Champion®

The Dishwashing Machine Specialists

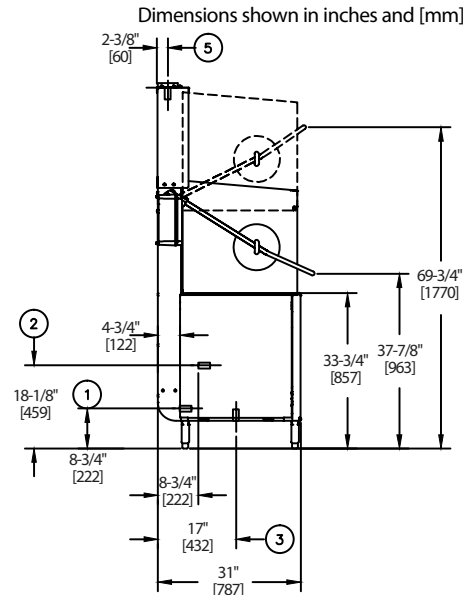
Typical Table Construction



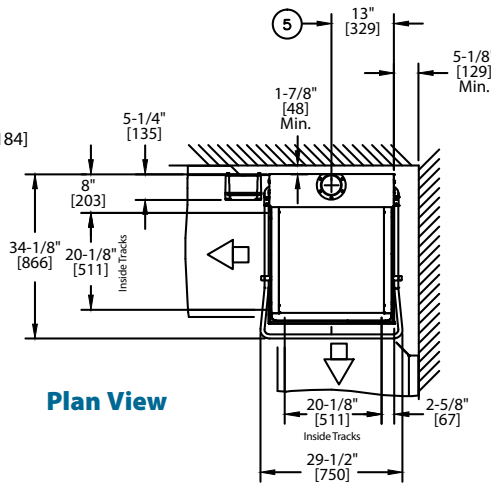
Corner Configuration



Front View



Side View



Plan View

SPECIFICATIONS

Capacities

	Standard	Extended
Racks per hr.	48	33
Wash tank, gal. (20.5L)	7.9 imp	

Motor horsepower

1 HP

Water consumption

Gal. per hr. (max. use)(95L)	33.1 imp
Gal. per rack (1.8L)	0.7 imp

Temperature °F/°C

Wash	150/66
Rinse	180/82

Heating

Tank heat, electric	5.2 kW
Electric Booster	7.5-10 kW

Time cycle in seconds

	Standard	Extended
Wash	35	65
Rinse	10	10
Sanitary Dwell	15	15
Vent Fan	10	10
Total cycle	70	100

Utilities	
1	Electrical Machine Connection (See Electrical Box)
2	Hot Water 3/4" NPT Hot Water 110°-140°F (43°-60°C) 20-22 PSI Flow pressure (124-152 kPa) PRV supplied and installed
3	Drain 2" OD Connection [50mm] 12.5 imp. gal max flow (56L)
5	Exhaust 250 CFM Fan 4" Round Duct (supplied by others)

Warning: Plumbing, electrical connections should be made by qualified personnel who will observe all the applicable plumbing, sanitary and safety codes and the National Electrical Code.

Electric 40° to 70° Rise Booster			
Voltage	Rated Amps	Minimum Supply Ckt. Conductor Ampacity	Maximum Overcurrent Protective Device
208/60/1	67	80	80
240/60/1	76	80	80
208/60/3	41	50	50
240/60/3	46	50	50
480/60/3	21	25	25

Due to an ongoing value analysis program at Champion, specifications contained in this catalog are subject to change without notice.