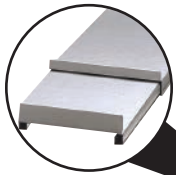




STAINLESS STEEL Drop-In Ice Bins 18" Wide

Item #: _____	Qty #: _____
Model #: _____	
Project #: _____	



**Sliding Stainless Steel
Cover Included**



**D-24-IBL
Shown**

FEATURES:

10" deep ice bin.
Optional 7-Circuit cold plate sealed into the bottom.
Rubber thermal breaker reduces condensation.
Includes stainless steel hinged cover.

MECHANICAL:

1" IPS drain (non-cold plate models)
1/2" IPS drain (cold plate models)

MATERIAL:

Ice Bin: 20 gauge, 300 stainless steel
Jacket: 20 gauge galvanized steel
Cover: 20 gauge stainless steel
Ice Bin Insulation: 2 lbs. density foam-in-place
Molding: Extruded black polyethylene thermal breaker marine edge

Model #	Dimension (A)	Dimension (B)	Dimension (C)	Cut Out Size W x L	Ice Capacity	Approx. Weight	Approx. Cu. Ft.
D-12-IBL	12"	8"	6"	9 1/4" x 15 3/8"	23 lbs.	22 lbs.	3
D-24-IBL	21"	18"	10 1/2"	15 1/4" x 20 3/8"	50 lbs.	39 lbs.	5
D-30-IBL	27"	24"	13 1/2"	15 1/4" x 26 3/8"	62 lbs.	62 lbs.	8
D-36-IBL	33"	30"	16 1/2"	15 1/4" x 32 3/8"	75 lbs.	67 lbs.	9

With 7-Circuit Cold Plate

D-24-IBL-7	21"	18"	10 1/2"	20 3/8" x 15 1/4"	50 lbs.	84 lbs.	9
D-30-IBL-7	27"	24"	13 1/2"	26 3/8" x 15 1/4"	62 lbs.	107 lbs.	13
D-36-IBL-7	33"	30"	16 1/2"	32 3/8" x 15 1/4"	75 lbs.	113 lbs.	15



Customer Service Available To Assist You 1-800-645-3166 8:30 am - 8:00 pm E.S.T.

For Orders & Customer Service:
Email: customer@advancetabco.com or Fax: 631-242-6900

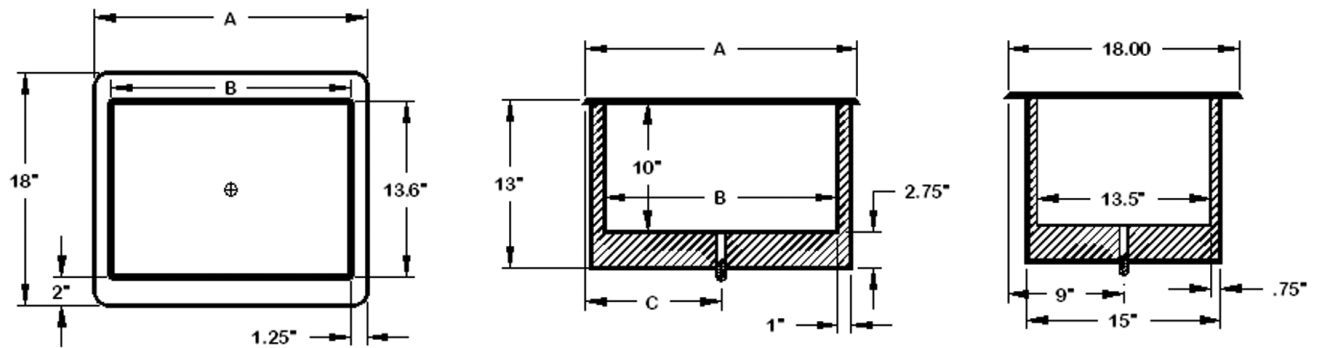
For Smart Fabrication™ Quotes:
Email: smartfab@advancetabco.com or Fax: 631-586-2933

DIMENSIONS and SPECIFICATIONS

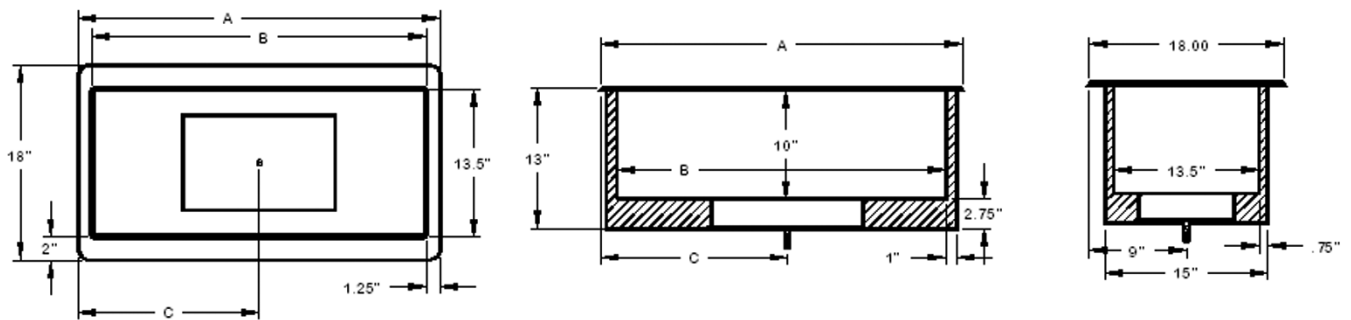
TOL Overall: $\pm .500''$ Interior: $\pm .250''$

ALL DIMENSIONS ARE TYPICAL

Non-Cold Plate Models



Cold Plate Models



ADVANCE TABCO is constantly engaged in a program of improving our products. Therefore, we reserve the right to change specifications without prior notice.