



D I-1 -9  
 12" x 14"

Item #:	_____	Qty #:	_____
Model#:	_____		
Project #:	_____		

**FEATURES :**

Includes K-54 deck mount faucet with "Push-back" actuator.  
 D I-1 -9 features removable electro-polished stainless steel grill.  
 D -24-W SBL & D -24-W SBL2 :  
 13" deep insulated ice bin.  
 Removable grate covers drip pan.  
 Rubber thermal breaker to reduce condensation.  
 Supplied with stainless steel sliding cover.

**M E C H A N I C A L :**

1" IPS drain (drip pan and ice bin)  
 Filler faucet has a cold connection with 1/2" IPS  
 Faucet meets federal lead free standards.

**M A T E R I A L :**

Jacket: 20 gauge galvanized steel  
 Ice Bin: 20 gauge, 300 stainless steel  
 Cover: 20 gauge stainless steel (D -24-W SBL and D -24-W SBL2 only)  
 Molding: Extruded black polyethylene thermal breaker marble edge  
 Insulation: 2 lbs. density foam in-place insulation

**O P T I O N A L :**

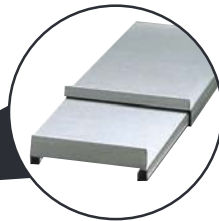
D -12: Replacement sliding stainless steel cover



D -24-W SBL  
 21" x 18"



D -24-W SBL2  
 18" x 21"



Units With Ice Bins Are  
 Supplied With A Sliding  
 Stainless Steel Cover

Project #	Configuration	Rxw/gh Glp hqylrqv	Fx/Rxw# Vlh	Ith# Fdsdflw	Dssur{1 Z hlkw	Dssur{1 Fx#lwl
DH-9	Water Station	12" x 14"	11 1/4" x 13 1/4"	N/A	15 lbs.	3
D-24-W SBL	Water Station w/ Ice Bin	21 1/4" x 18"	20 3/8" x 15 1/4"	23 lbs.	30 lbs.	5
D-24-W SBL2	Water Station w/ Ice Bin	18" x 21 1/4"	15 1/4" x 20 3/8"	50 lbs.	47 lbs.	5

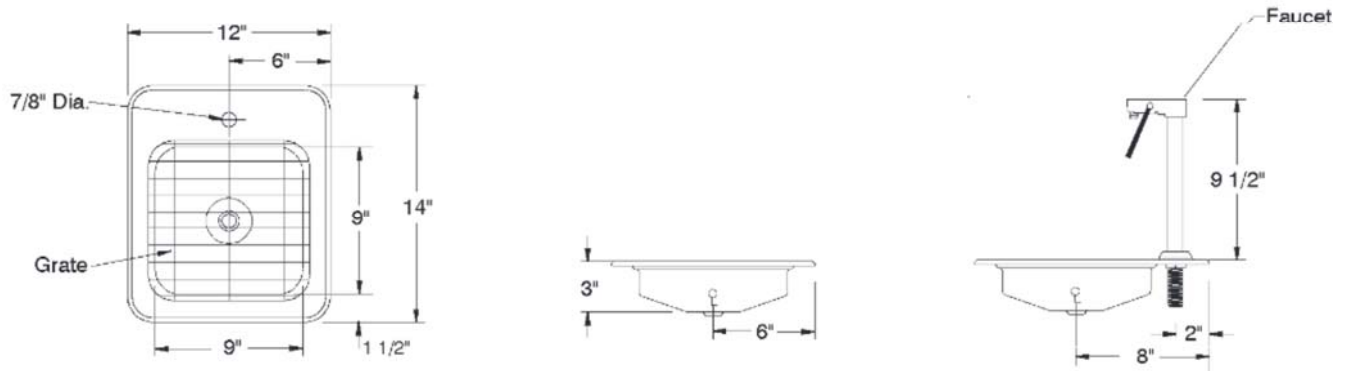
# G I P H Q V L R Q V # d q g # V S H F L I L F D W I R Q V

WR O # y h u d o # 8 3 3 5 # q w h u r u # e # 5 8 3 #

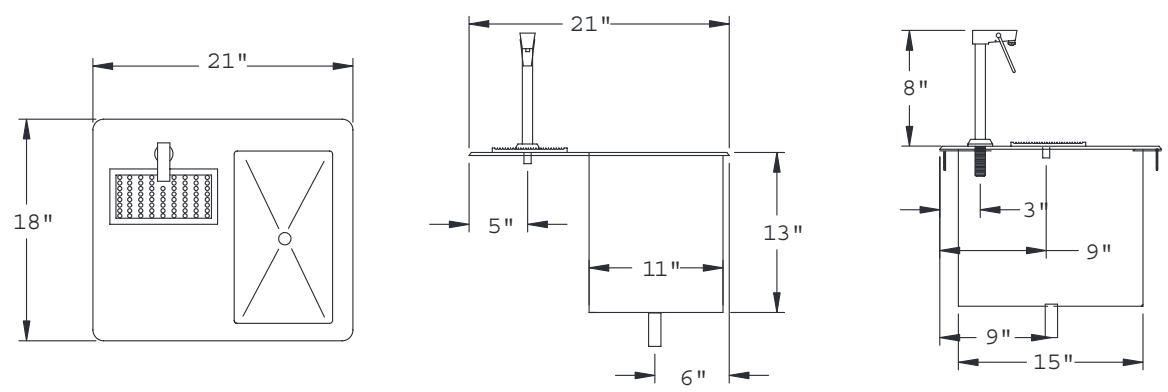
#

D O O # G I P H Q V I R Q V # D U H # \ S I F D O

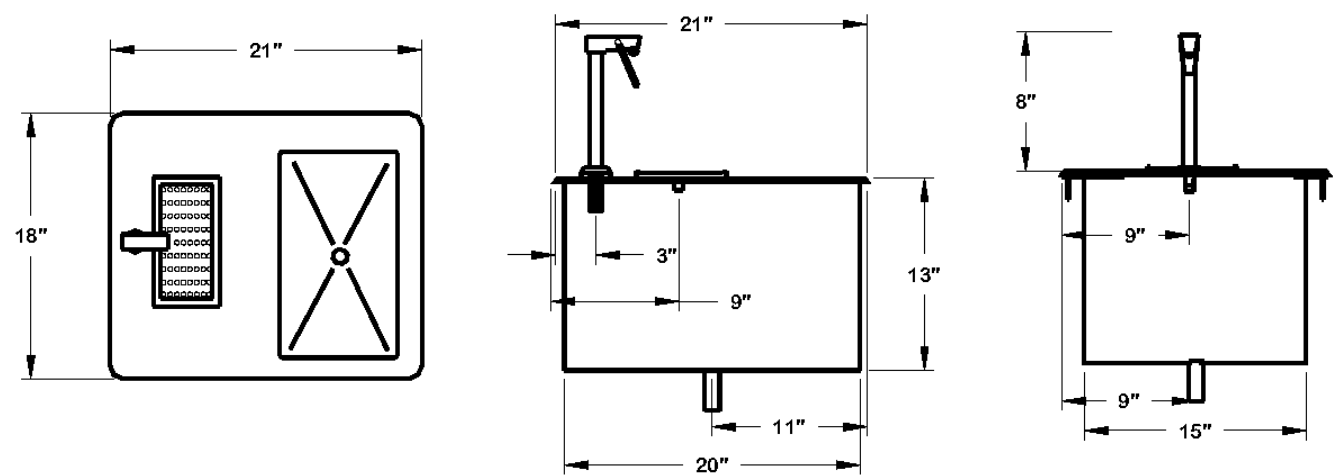
G I 0 0 <



G 0 5 7 0 Z V I E 0



G 0 5 7 0 Z V I E 0 5



D G Y D Q F H # N D E F R # b # r q v d q v # h q j d j h g # g # i # s u r j u p # #  
 p s u r y t j # x u # s u r g x f w # w k h u i r u # z h # h v n u y h # k h # u j k w # r #  
 f k d g j h # s h f l i f d w r q v # l k r x w # s u r u # g r w i e h l