

Project _____

Item Number _____

Quantity _____

Round Dome Oven



*without stand and with after market brick work

*with stand and standard brick work

Stone Hearth Pizza Dome Oven (GAS)

Models:

- DOME39R:** Round dome pizza oven
- DOME47R:** Round dome pizza oven
- DOME55R:** Round dome pizza oven

Pizza Oven

Features:

- Handmade firebrick pizza oven
- Round internal cooking chamber
- Insulated and ready to be connected to smoke stack
- Gas burner guarantees identical results to those of a traditional wood burning oven

Included Accessories:

- Iron stand
- Iron door
- Thermometer
- Stack exhaust internal diameter 20cm(7.87in)

Options:

- Black or Silver painted body

Warranty:

- One year, on-site parts and labor



Univex Corporation

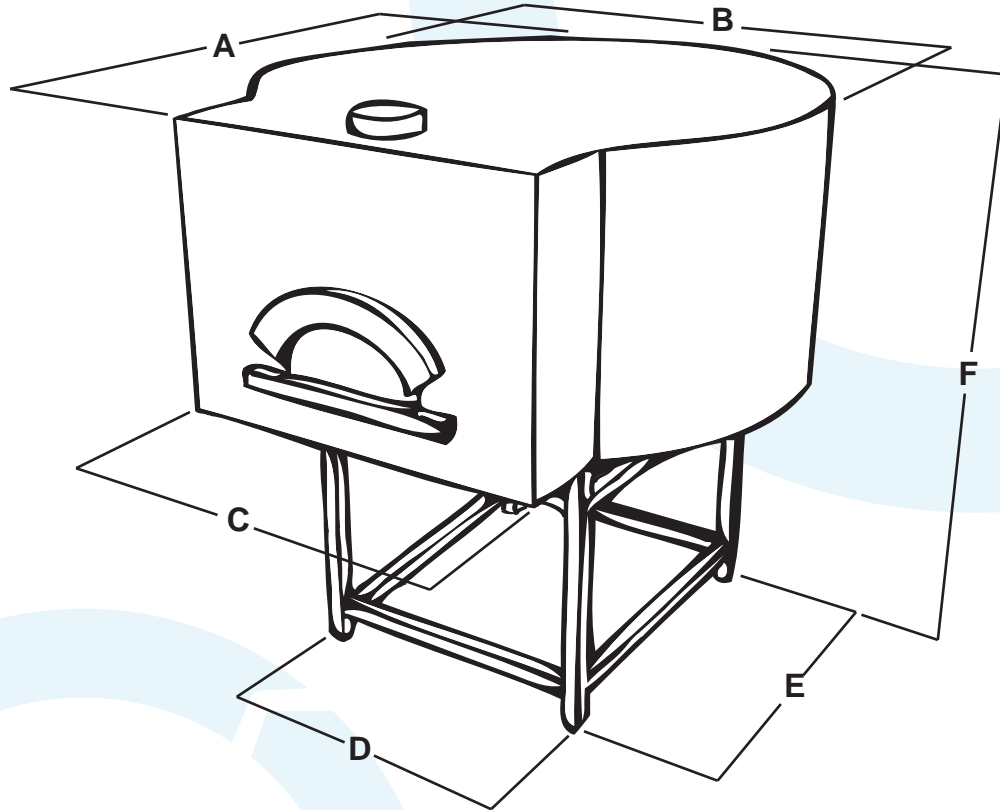
Warranty Details

The oven carries a one year, on-site parts and labor warranty against any flaws in materials and workmanship. This period begins on the date of the purchase and, provided the unit is used in accordance with our instructions, is in full effect for one year from that date. Any work performed under this warranty must be performed between the hours of 8am and 5pm Monday through Friday. Univex will not pay for overtime charges for work performed other than during normal business hours. Damage incurred in transit or from installation error, accident, alteration or misuse is not covered. Univex shall not be liable for any consequential compensatory, incidental, or special damages. Contact the Univex service department for any warranty claims.

Stone Hearth Pizza Dome Oven

Gas

Dimensions



MODEL	INTERNAL DIAMETER	A OVEN DEPTH	B OVEN WIDTH	C FACE WIDTH	D STAND WIDTH	E STAND DEPTH	F HEIGHT	WEIGHT	NUMBER OF PIZZAS
DOME39S	39.37" 100cm	57.1" 145 cm	55.11" 140cm	38.6" 98 cm	47.25" 120cm	47.25" 120cm	73" 185cm	3307lbs 1500Kg	5
DOME47S	47.25" 120cm	65" 165cm	63" 160cm	43.3" 110 cm	55.11" 140cm	55.11" 140cm	73" 185cm	4850lbs 2200Kg	7
DOME55S	55" 140cm	73" 185cm	71" 180cm	43.3" 110 cm	63" 160cm	63" 160cm	73" 185cm	5512lbs 2500Kg	11