



# Specifications

F.O.B Sedalia, Missouri 65301



DPAH-3-HF

### OPTIONS:

- 1000 watt elements - per section
- 3 phase wiring
- Tray shelves
- Fluorescent lights
- Infrared bullet lamps
- Incandescent bullet lights
- Adapter bars
- Spillage pans
- Adapter plates
- Legs in lieu of casters
- Body latches
- Tray shelf on end

### AGENCY LISTINGS:



**DUKE MANUFACTURING CO.**  
 2305 N. Broadway  
 St. Louis, MO 63102

**800.735.3853 Toll Free**  
**314.231.5074 Fax**  
**www.dukemfg.com**

SS-DM-00041-EMB-03

### Approval Stamp(s):

### PRODUCT INFORMATION:

PROJECT: \_\_\_\_\_

ITEM: \_\_\_\_\_

QUANTITY: \_\_\_\_\_

MODEL:

### Econo Mate™ Buffet Units - Hot Food

- DPAH-2-HF/OPAH-2-HF**      Portable (floor models) 2 hot food wells
- DPAH-3-HF/OPAH-3-HF**      Portable (floor models) 3 hot food wells
- DPAH-4-HF/OPAH-4-HF**      Portable (floor models) 4 hot food wells
- TAH-2-HF**      Table Top      2 hot food wells
- TAH-3-HF**      Table Top      3 hot food wells
- TAH-4-HF**      Table Top      4 hot food wells

### BODY:

- Heavy gauge paint grip steel
- Choice of (12) powder coat paint colors (must choose one)
 

<input type="checkbox"/> #217105 - Bright White	<input type="checkbox"/> #217103 - Natural Almond
<input type="checkbox"/> #217150 - Orange Red	<input type="checkbox"/> #217154 - Racing Red
<input type="checkbox"/> #217107 - Hollyberry Red	<input type="checkbox"/> #217120 - Sky Blue
<input type="checkbox"/> #217127 - Fence Green	<input type="checkbox"/> #217152 - Stone Gray
<input type="checkbox"/> #217102 - Duke Silver	<input type="checkbox"/> #217113 - Brown Kickplate
<input type="checkbox"/> #217101 - Semi Gloss Black	<input type="checkbox"/> #217125 - Textured Black
- Heavy gauge; 300 Series stainless steel top
- Clear plexiglass canopy, with black powder coat steel brackets with end enclosures

### BASES:

- Choice of
  - Open base - **O**
  - Closed base - **D**
  - Table Top - **T**
- 5" NSF listed black swivel casters, 2 with locks

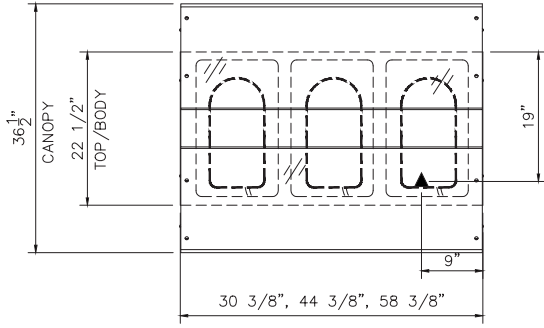
### HEAT COMPARTMENTS:

- 12" x 20" top opening
- Insulation on sides, ends and bottom of 8" compartment
- Infinite switch controls exposed electric element
- 6' cord and plug

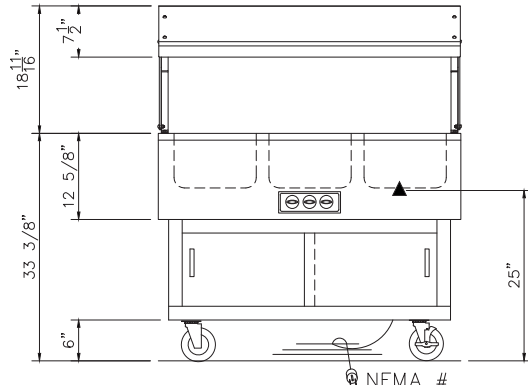
### SHORT FORM SPECIFICATIONS:

**Duke Econo Mate Buffet Units - Hot Food.** Portable Buffet with heavy gauge painted steel bodies, open or closed style, with 300 series stainless steel heavy gauge tops, hot wells w/infinite switches, enclosed steel base w/powder coat finish & sliding doors, clear acrylic canopy, 5" NSF approved black casters, 2 w/ locks, 6' cord & plug. Table top models available.

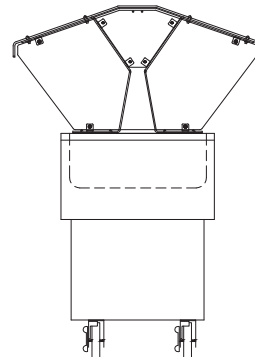
# Econo Mate®



**TOP VIEW**



**FRONT VIEW**



**SIDE VIEW**

## Econo Mate Buffet Units - Hot Food

- ☐ **DPAH-2-HF/OPAH-2-HF** Portable (floor models) 2 hot food wells
- ☐ **DPAH-3-HF/OPAH-3-HF** Portable (floor models) 3 hot food wells
- ☐ **DPAH-4-HF/OPAH-4-HF** Portable (floor models) 4 hot food well
- ☐ **TAH-2-HF** Table Top - 2 hot food wells
- ☐ **TAH-3-HF** Table Top - 3 hot food wells
- ☐ **TAH-4-HF** Table Top - 4 hot food wells

### LEGEND

▲ - ELECTRICAL CONNECTION

When ordering storage bases, precede model number with "O" for Open Base or "D" for closed base with doors. Example: **OPAH-2-BC** for open base unit.

### DIMENSIONS:

Portable Hot Food Units - All units 33-3/8" (84.8 cm) high

FREIGHT CLASS: 100

Model	Length		Width		Depth		Top Openings	Cube ft. Crated	Weight	
	in.	cm	in.	cm	in.	cm			lbs.	kg
<b>DPAH-2-HF/OPAH-2-HF</b>	30-3/8	77.2	22-1/2	57.2	8	20.3	2	23.0	225/221	102.3/100.5
<b>DPAH-3-HF/OPAH-3-HF</b>	44-3/8	112.8	22-1/2	57.2	8	20.3	3	32.0	261/257	118.6/116.8
<b>DPAH-4-HF/OPAH-4-HF</b>	58-3/8	148.3	22-1/2	57.2	8	20.3	4	40.9	297/293	135.0/133.2

Table Top Hot Food Units - All units 13-5/8" (34.7 cm) high

FREIGHT CLASS: 100

	Length		Width		Depth		Top Openings	Cube ft. Crated	Weight	
	in.	cm	in.	cm.	in.	cm			lbs.	kg
<b>TAH-2-HF</b>	30-3/8	77.2	22-1/2	57.2	8	12.7	2	12.1	144	65.5
<b>TAH-3-HF</b>	44-3/8	112.8	22-1/2	57.2	8	12.7	3	61.7	197	89.6
<b>TAH-4-HF</b>	58-3/8	148.3	22-1/2	57.2	8	12.7	4	21.4	275	125.0

### ELECTRICAL SPECIFICATIONS:

Model	120 Volt			208 Volt			240 Volt		
	Watts	Amps	NEMA	Watts	Amps	NEMA	Watts	Amps	NEMA
<b>PAH-2-HF/TAH-2-HF</b>	1000	8.3	5-15	1500	7.2	6-20	1500	6.2	6-20
<b>PAH-3-HF/TAH-3-HF</b>	1500	12.5	5-15	2250	10.8	6-20	2250	9.4	6-20
<b>PAH-4-HF/TAH-4-HF</b>	2000	16.6	L5-30	3000	14.4	6-20	3000	12.5	6-20

### DUKE MANUFACTURING CO.

2305 N. Broadway  
St. Louis, MO 63102

800.735.3853 Toll Free  
800.231.1130 In Missouri  
314.231.5074 Fax  
www.dukemfg.com



Specification subject to change

02/12  
Printed in U.S.A.  
© 2012, Duke Manufacturing Co.