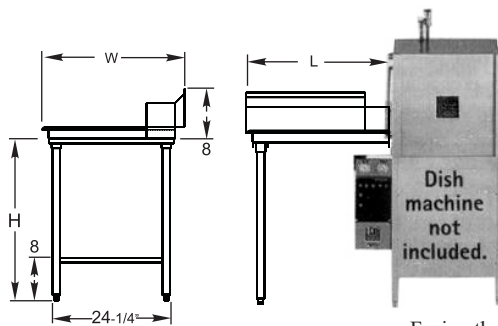


## Clean Dishtable

### Clean Straight Design

Polished stainless steel work surface  
 Table has formed-down lip to fit most standard dishwashers.  
 Left or right operation.  
 Stainless steel cross braced legs.  
 16 Ga. 304 S/S top, 8" backsplash.  
 72" and up models come with 4 legs.



Without Manufacturer's Product Approval from the Massachusetts Board of State Examiners of Plumbers and Gasfitters

**Left Side Model** Facing the Dish Machine  
 Dishtable on your left



**Left Side Model**

Facing the Dish Machine  
 Dishtable on your left



**Right Side Model**

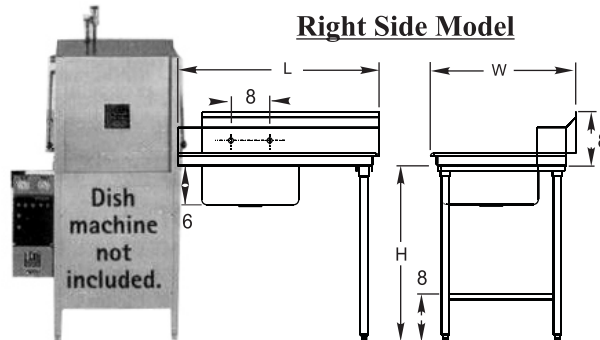
Facing the Dish Machine  
 Dishtable on your right

Order No	Gauge	Overall Size ( " )			Weight lbs/ea
		W	L	H	
DT24C-L	16	30	24	34	29
DT24C-R	16	30	24	34	29
DT30C-L	16	30	30	34	34
DT30C-R	16	30	30	34	34
DT36C-L	16	30	36	34	38
DT36C-R	16	30	36	34	38
DT48C-L	16	30	48	34	50
DT48C-R	16	30	48	34	50
DT60C-L	16	30	60	34	57
DT60C-R	16	30	60	34	57
DT72C-L	16	30	72	34	67
DT72C-R	16	30	72	34	67
DT84C-L	16	30	84	34	77
DT84C-R	16	30	84	34	77
DT96C-L	16	30	96	34	87
DT96C-R	16	30	96	34	87

## Soiled Dishtables

### Soiled Straight Design

Polished stainless steel work surface  
 Table has formed-down lip to fit most standard dish machines  
 Left or right operation.  
 16 Ga. 304 S/S top & bowls  
 8" backsplash, 20"x20"x6" bowl.  
 Stainless steel cross braced legs.  
 Faucet and scrap basket are Not included.  
 72" and up models come with 4 legs.



**Right Side Model**

Facing the Dish Machine on your right  
 (Tub always close to Dish Machine)



**Left Side Model**

Facing the Dish Machine  
 Dishtable on your left



**Right Side Model**

Facing the Dish Machine  
 Dishtable on your right

Distance ( D )	
24"	1.25"
30"-48"	5"
60"	17"
72" UP	25"

Order No	Gauge	Overall Size ( " )			Weight lbs/ea
		W	L	H	
DT24S-L	16	30	24	34	39
DT24S-R	16	30	24	34	39
DT30S-L	16	30	30	34	44
DT30S-R	16	30	30	34	44
DT36S-L	16	30	36	34	48
DT36S-R	16	30	36	34	48
DT48S-L	16	30	48	34	59
DT48S-R	16	30	48	34	59
DT60S-L	16	30	60	34	67
DT60S-R	16	30	60	34	67
DT72S-L	16	30	72	34	77
DT72S-R	16	30	72	34	77
DT84S-L	16	30	84	34	87
DT84S-R	16	30	84	34	87
DT96S-L	16	30	96	34	97
DT96S-R	16	30	96	34	97

45 Dishtable