

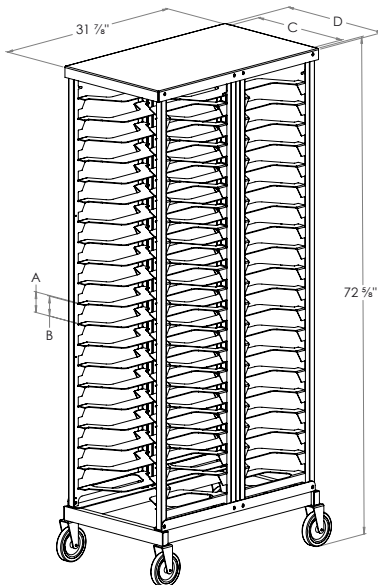


LPZ2516-DB

- Stable Transport Mobile Rack - Ideal for Large Volume Production
- Labor Saving Mobile Pizza Rack; Proof, Prep, Stage, Store and Transport Product
- Solid Sheet Aluminum Uprights; Laser Cut Bent Slides
- Unique Design Holds a Variety of Pan Sizes
 16" Wide Holds: 12" to 16" Pans and 8" to 11" Pans Centered
 18" Wide Holds: 14" to 18" Pans and 10" to 13" Pans Centered
- 5" Swivel Stem Casters (CV)
- Open Slide Design For Easy Cleaning; Product is Visible and Reduces Contamination
- "KD" Knock Down Rack - Ships UPS in Three Boxes; Easy Assembly
- **LIMITED LIFETIME WARRANTY** On Structural Integrity
- Optional Cover Keeps Product Moist and Fresh



PERFECT FOR PIZZA!



Double Deep Lifetime Pizza Racks						
Model Number	"A" Shelf Spacing	"B" Open B/T Supports	"C" I.D. Width	"D" O.D. Width	Pan Capacity	Weight #
LPZ3016-DB	3"	2 ⁷ / ₈ "	16 ¹ / ₂ "	18 ³ / ₄ "	40	65
LPZ2516-DB	2 ¹ / ₂ "	2 ³ / ₈ "	16 ¹ / ₂ "	18 ³ / ₄ "	48	65
LPZ3018-DB	3"	2 ⁷ / ₈ "	18 ¹ / ₂ "	20 ³ / ₄ "	40	66
LPZ2518-DB	2 ¹ / ₂ "	2 ³ / ₈ "	18 ¹ / ₂ "	20 ³ / ₄ "	48	66

Options: "CL", "CHV", "CHL", "B" - see page 81 for details.

Optional Translucent Cover	
Model Number	Description
VYDB-T	Clear front and back loading panel with zippers on four (4) corners, see page 79 for specifications.