



DRAWER WARMERS

Models HDW-1, -2, -3, -4 HDW-1N, -2N, -3N HDW-1B, -2B, -3B HDW-1BN, -2BN, -3BN

Hold everything from meat to vegetables to rolls in the Hatco Drawer Warmer. Each Drawer features adjustable sliding vents and individual thermostatic controls to hold a wide variety of hot foods safely for peak serving periods.

FLEXIBILITY

Available in 1-, 2-, 3-, and 4-drawer freestanding models built of rugged stainless steel with durable nylon rollers, stainless steel slides, and heavy-duty hardware. Each drawer has a recessed on/off switch, thermostat, temperature monitor, and vent slides to control humidity. Standard 20 $\frac{3}{4}$ " x 12 $\frac{3}{4}$ " x 6" (527 x 324 x 152 mm) pans that lift straight out of standard width units are supplied with each drawer. A larger food pan 20" x 15" x 5" (508 x 381 x 127 mm) with drawer frame is optional. Also available as 1-, 2-, and 3-drawer built-in units and narrow freestanding and built-in models.

The insulated top and sides of the Hatco Drawer Warmer provide maximum energy efficiency and the heating elements are warranted for two years.

Freestanding units come with 6' (1829 mm) cord and plug. A 4' (1219 mm) flexible conduit is standard with built-in units.

An optional water/spillage pan and splash baffle are available to create a humidified environment.

QUALITY

The following features assure the finest performance for years to come:

- Available in narrow and standard widths, built-in or freestanding models.
- Each drawer has a recessed individual thermostatic control, temperature monitor, and on-off switch.
- Heavy-duty drawer slides with nylon rollers and adjustable sliding vents on each drawer.
- Standard 20 $\frac{3}{4}$ " x 12 $\frac{3}{4}$ " x 6" (527 x 324 x 152 mm) pan supplied with each drawer lifts straight out of standard width Drawer Warmers.
- Optional oversized drawer and pan 20" x 15" x 5" (508 x 381 x 127 mm) available.
- Optional heavy-duty casters available for portability.
- Completely insulated individual cavities provide maximum energy efficiency.
- Two-year warranty on heating elements and drawer rollers and slides.



Model HDW-3
with optional casters



Model HDW-2 with optional stainless steel legs



Model HDW-3B
built-in

Built-in Cutout Requirements

Model	"W" Dimension	"D" Dimension*	"H" Dimension
HDW-1B	28 $\frac{1}{4}$ " (718 mm)	23 $\frac{3}{4}$ " (603 mm)	10 $\frac{1}{8}$ " (257 mm)
HDW-2B	28 $\frac{1}{4}$ " (718 mm)	23 $\frac{3}{4}$ " (603 mm)	20 $\frac{1}{4}$ " (514 mm)
HDW-3B	28 $\frac{1}{4}$ " (718 mm)	23 $\frac{3}{4}$ " (603 mm)	30 $\frac{3}{8}$ " (772 mm)
HDW-1BN	19 $\frac{5}{8}$ " (498 mm)	28 $\frac{1}{8}$ " (714 mm)	10 $\frac{1}{8}$ " (257 mm)
HDW-2BN	19 $\frac{5}{8}$ " (498 mm)	28 $\frac{1}{8}$ " (714 mm)	20 $\frac{1}{4}$ " (514 mm)
HDW-3BN	19 $\frac{5}{8}$ " (498 mm)	28 $\frac{1}{8}$ " (714 mm)	30 $\frac{3}{8}$ " (772 mm)

* Depth dimension includes 1 $\frac{1}{2}$ " (38 mm) for conduit connector.



HATCO CORPORATION P.O. Box 340500 Milwaukee, WI 53234-0500 U.S.A.
(800) 558-0607 • (414) 671-6350 • Fax (800) 543-7521 • Int'l. Fax (414) 671-3976
www.hatcocorp.com • E-mail: equipsales@hatcocorp.com

METAL SHEATHED HEATING ELEMENTS GUARANTEED AGAINST BURNOUT AND BREAKAGE FOR TWO YEARS.

Form No. HDW Spec Sheet

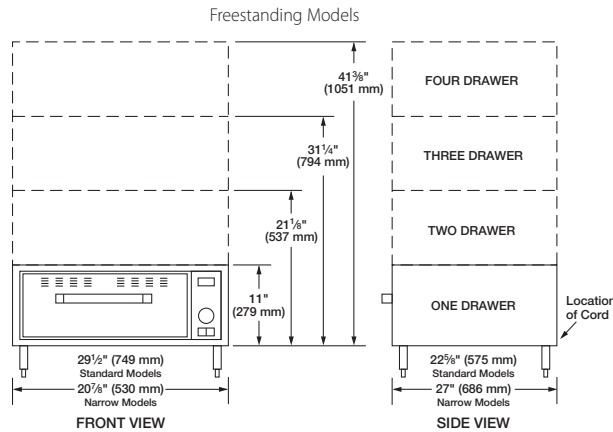
Printed in U.S.A.
October 2011

A City Discount

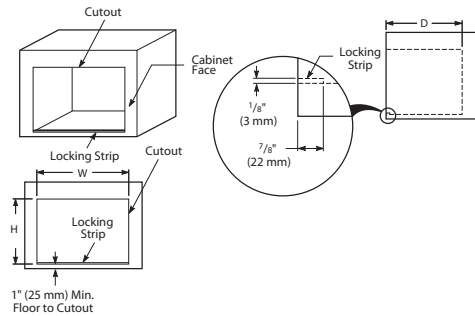


DRAWER WARMERS

Models HDW-1, -2, -3, -4 HDW-1N, -2N, -3N HDW-1B, -2B, -3B HDW-1BN, -2BN, -3BN



Built-In Models



SPECIFICATIONS

Freestanding – Standard

Model [▲]	Watts	Amps [★]	No. of Drawers	Shipping Weight
HDW-1	450	3.8	One	97 lbs. (44 kg)
HDW-2	900	7.5	Two	168 lbs. (76 kg)
HDW-3	1350	11.3	Three	232 lbs. (105 kg)
HDW-4	1800	15.0	Four	296 lbs. (134 kg)

Freestanding – Narrow

Model [▲]	Watts	Amps [★]	No. of Drawers	Shipping Weight
HDW-1N	450	3.8	One	97 lbs. (44 kg)
HDW-2N	900	7.5	Two	168 lbs. (76 kg)
HDW-3N	1350	11.3	Three	232 lbs. (105 kg)

Built-in – Standard

Model [▲]	Watts	Amps [★]	No. of Drawers	Shipping Weight
HDW-1B	450	3.8	One	88 lbs. (40 kg)
HDW-2B	900	7.5	Two	159 lbs. (72 kg)
HDW-3B	1350	11.3	Three	223 lbs. (101 kg)

Built-in – Narrow

Model [▲]	Watts	Amps [★]	No. of Drawers	Shipping Weight
HDW-1BN	450	3.8	One	88 lbs. (40 kg)
HDW-2BN	900	7.5	Two	159 lbs. (72 kg)
HDW-3BN	1350	11.3	Three	223 lbs. (101 kg)

▲ 1-, 2-, and 3-drawer freestanding units are standard with 4" (102 mm) legs; four drawer freestanding units with 6" (152 mm) stainless steel legs. Accessory 6" (152 mm) stainless legs, or 2" (51 mm), 3" (76 mm), or 5" (127 mm) diameter casters available on 1-, 2-, and 3-drawer units, or 4" (102 mm) diameter casters available on all units.

★ Based on 120 volts.

DIMENSIONS

Freestanding – (Without legs or casters)

HDW-1: 29 1/2" W x 22 5/8" D x 11" H (749 x 575 x 279 mm).
 HDW-1N: 20 7/8" W x 27" D x 11" H (530 x 686 x 279 mm).
 HDW-2: 29 1/2" W x 22 5/8" D x 21 1/8" H (749 x 575 x 537 mm).
 HDW-2N: 20 7/8" W x 27" D x 21 1/8" H (530 x 686 x 537 mm).
 HDW-3: 29 1/2" W x 22 5/8" D x 31 1/4" H (749 x 575 x 794 mm).
 HDW-3N: 20 7/8" W x 27" D x 31 1/4" H (530 x 686 x 794 mm).
 HDW-4: 29 1/2" W x 22 5/8" D x 41 3/8" H (749 x 575 x 1051 mm).

Built-in – (Excluding front mounting flange)

HDW-1B: 28 1/8" W x 22 3/8" D x 9 3/4" H (714 x 568 x 248 mm).
 HDW-1BN: 19 1/2" W x 26 3/4" D x 9 3/4" H (495 x 679 x 248 mm).
 HDW-2B: 28 1/8" W x 22 3/8" D x 20" H (714 x 568 x 508 mm).
 HDW-2BN: 19 1/2" W x 26 3/4" D x 20" H (495 x 679 x 508 mm).
 HDW-3B: 28 1/8" W x 22 3/8" D x 30 1/8" H (714 x 568 x 765 mm).
 HDW-3BN: 19 1/2" W x 26 3/4" D x 30 1/8" H (495 x 679 x 765 mm).

VOLTAGE

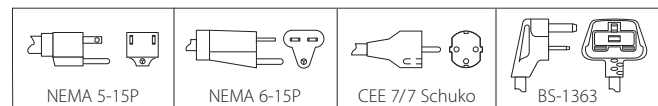
120 volts, single phase, freestanding, 1-, 2-, 3-, and 4-drawer models use NEMA 5-15P. 4-drawer model not available for Canada. 208 and 240 volts available, freestanding models use NEMA 6-15P. Export voltages available.

CORD LOCATION

Back of unit, lower left corner.

PLUG CONFIGURATIONS

FREESTANDING UNITS ONLY



OPTIONS (NOT FOR RETROFIT)

- Designer Drawer Front Colors: Warm Red, Black, Gray Granite, White Granite, Navy Blue, Hunter Green, Antique Copper
- ITC Electronic Control (All models except HDW-3N, -3BN), 120V only (required on all drawers)
- Oversized Drawer Frame and Pan 20" x 15" x 5" (508 x 381 x 127 mm) in lieu of Standard Drawer with Pan (Standard width models only)
- Biscuit Pan Drawer (Accommodates two 18" x 13" (457 x 330 mm) Half-size Sheet Pans – not included) in lieu of Standard Drawer with Pan (Standard width models only)
- Chip Guard (Standard width models only)

ACCESSORIES

- 6" (152 mm) Stainless Steel Adjustable Legs
- 2" (51 mm) Diameter Swivel Casters (1-, 2-, or 3-Drawer models) – Adds 2 1/2" (64 mm) to Height
- 3" (76 mm) Diameter Locking Casters (1-, 2-, or 3-Drawer models) – Adds 4 1/4" (108 mm) to Height
- 4" (102 mm) Diameter Locking Casters (1-, 2-, 3-, or 4-Drawer models) – Adds 5 1/4" (133 mm) to Height
- 5" (127 mm) Diameter Locking Casters (1-, 2-, 3-, or 4-Drawer models) – Adds 6 1/4" (159 mm) to Height
- Water/Spillage Pan (Splash Baffle recommended)
- Splash Baffle (With Water/Spillage Pan creates humidified environment)
- Stainless Steel Food Pans

PRODUCT SPECS - Drawer Warmer

The Drawer Warmers shall be a Hatco Model ... , freestanding or built-in as manufactured by the Hatco Corporation, Milwaukee, WI 53234, U.S.A. With 24/7 parts and service assistance (U.S. and Canada only), the unit shall have ... drawer(s) and be rated at ... watts, ... amps. Freestanding model shall be equipped with a cord and plug and the built-in model with 4' (1219 mm) flexible conduit.

The Drawer Warmer shall have a stainless steel exterior, interior, drawer slides, and assembly. Drawer rollers shall be durable nylon. The drawer assembly shall fully extend to allow removal of pans without tilting in standard width models.

The unit shall be insulated top and sides of cabinet with individual power switch, thermostat and temperature monitor for each drawer.

HATCO CORPORATION P.O. Box 340500 Milwaukee, WI 53234-0500 U.S.A. • (800) 558-0607 • (414) 671-6350
 Fax (800) 543-7521 • Int'l. Fax (414) 671-3976 • www.hatcocorp.com • E-mail: equipsales@hatcocorp.com