



"E3S8-2DB" "E" Series Sinks

Three Compartment Sinks w/ 2 Drainboard
w/ Galvanized Base & Bracing



STANDARD: 18 ga. 300 S/S welded Bowls
18 ga. 300 S/S sides and Splash
10" Back Splash

| 12" DEEP | |
|-----------------|-----|
| 18 Gauge | Qty |
| E3S8-1620-12T18 | |
| E3S8-18-12T18 | |
| E3S8-1416-12T12 | |

Bowl Sizes:

16" X 20"
18" X 18"

| 14" DEEP | |
|-----------------|-----|
| 18 Gauge | Qty |
| E3S8-18-14T18 | |
| E3S8-1824-14T18 | |
| *E3S8-18-14T24 | |
| *E3S8-24-14T24 | |

(*) w/ 2 sets of Faucet Holes

Bowl Sizes:

18" X 18"
18" X 24"
24" X 24"

| 10" DEEP | |
|-----------------|-----|
| 18 Gauge | Qty |
| E3S8-1014-10T15 | |

Bowl Sizes:

10" X 14"

FEATURES:

- * Standard 18 Gauge Type 300 stainless steel with # 3 polish, satin finish
- * 12" & 14" Deep Bowls
- * All Corners, both vertical and horizontal, coved at 3/4" radius
- * Bottoms of bowls formed for drainage to 3-1/2" diameter die stamped opening
- * Full length **10" High Boxed Backsplash**, with 2" return to wall at 45 degree and 1" tile edge
- * 1" Faucet Holes in Backsplash
- * All outside corners of assembly are Bullnosed to provide safe, clean and polished edge
- * Standard galvanizes legs 1-5/8" diameter
- * Legs located directly under sink bowls, providing increased stability and maximum weight support

CONSTRUCTION:

Top: Stainless Steel Sinks are TIG welded, Exposed welds are polished to match adjacent surface.
Bases: Galvanized Base

MATERIAL:

Bowls & 18 gauge stainless Steel
Top: Type 300 stainless steel with # 3 polish, satin finish
Legs: 1 5/8" Round O.D., galvanized steel
Gussets: Galvanized
Feet: 1" adjustable plastic bullet feet

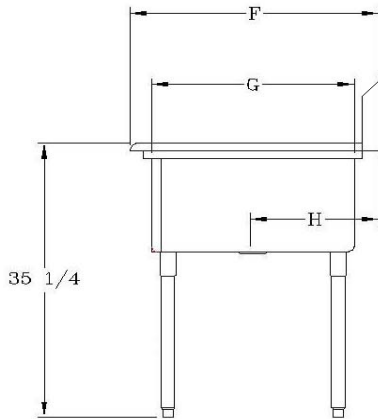
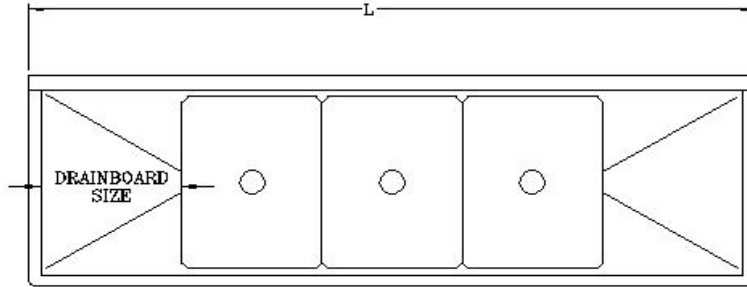
John Boos & Co

315 South First Street - Effingham, IL 62401
Phone: 217-347-7701 - Fax: 217-347-7705
Email: sales@johnboos.com - Web-site: www. johnboos.com

NN-17

DETAILED SPECIFICATIONS

| BOWLS | F | G | H |
|---------|---------|-----|-----------|
| 10 X 14 | 19-7/8" | 14" | 10" |
| 16 X 20 | 25-1/2" | 20" | 12-15/16" |
| 18 X 18 | 23-1/2" | 18" | 11-15/16" |
| 18 X 24 | 29-1/2" | 24" | 14-15/16" |
| 24 X 24 | 29-1/2" | 24" | 14-15/16" |

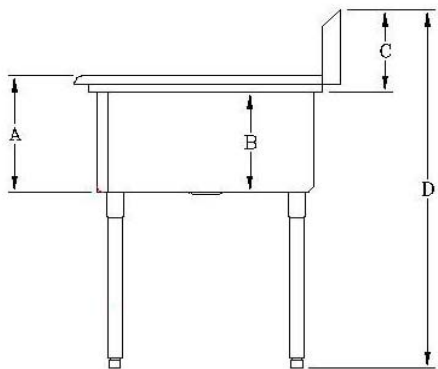


| | |
|----------|---------|
| A | 14-1/4" |
| B | 12" |
| C | 10" |
| D | 43-3/4" |

| STANDARD 12" DEEP | | | | |
|-------------------|--------------|---------------|-----|-----|
| MODEL | BOWL SIZE | DIMENSIONS | DB | WT. |
| E3S8-1620-12T18 | 16 X 20 X 12 | 84" X 25-1/2" | 18" | 240 |
| E3S8-18-12T18 | 18 X 18 X 12 | 90" X 23-1/2" | 18" | 240 |
| E3S8-1416-12-T12 | 14 X 16 X 12 | 66" X 21.5" | 12" | 200 |

| | |
|----------|---------|
| A | 16-1/4" |
| B | 14" |
| C | 10" |
| D | 43-3/4" |

| STANDARD 14" DEEP | | | | |
|-------------------|--------------|----------------|-----|-----|
| MODEL | BOWL SIZE | DIMENSIONS | DB | WT. |
| E3S8-18-14T18 | 18 X 18 X 14 | 90" X 23-1/2" | 18" | 255 |
| E3S8-1824-14T24 | 18 X 24 X 14 | 104" X 29-1/2" | 24" | 288 |
| E3S8-24-14T24 | 24 X 24 X 14 | 120" X 29-1/2" | 24" | 270 |
| E3S8-18-14T24 | 18 X 18 X 14 | 102" X 29-1/2" | 24" | 265 |



| STANDARD 10" DEEP | | | | |
|-------------------|--------------|---------------|-----|-----|
| MODEL | BOWL SIZE | DIMENSIONS | DB | WT. |
| E3S8-1014-10T15 | 10 X 14 X 10 | 60" X 19-7/8" | 15" | 95 |

| | |
|----------|---------|
| A | 12" |
| B | 10" |
| C | 10" |
| D | 39-3/4" |

All dimensions are typical.

Tolerance +/- .500".

All units ship unassembled for reduced shipping cost.

John Boos & Co

315 South First - Effingham, IL 62401 Phone: 217-347-7701 - Fax: 217-347-7705

Email: sales@johnboos.com - Web-site: www.johnboos.com



March 2011

John Boos is constantly engaged in a program of improving products and therefore reserves the right to change specification without prior notice

NN-18