



T&S BRASS AND BRONZE WORKS, INC.

2 Saddleback Cove / P.O. Box 1088
Travelers Rest, SC 29690

Model No.

EC-3100-4DP-HG

Item No.

Travelers Rest, SC: 800-476-4103 • Simi Valley, CA: 800-423-0150 • Fax: 864-834-3518 • www.tsbrass.com



ADA Compliant



This Space for Architect/Engineer Approval

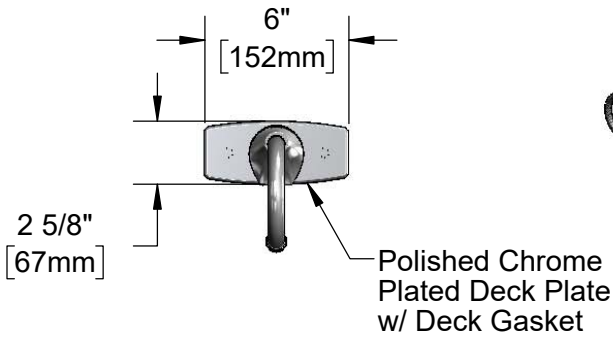
Job Name _____ Date _____

Model Specified _____ Quantity _____

Customer/Wholesaler _____

Contractor _____

Architect/Engineer _____



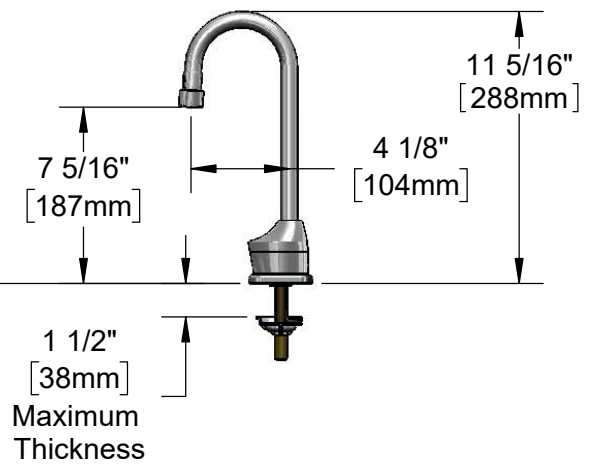
3 5/8" x 4 3/16" x 2" Deep [92mm x 106mm x 51mm]
Water Resistant Control Module Box (Blue) w/ Internal Flow Control Setting Switches, AC or DC operated w/ (4) AA Batteries If Hydro-Generator is Not Used. Hardwire Capable using Terminals on Back

Rigid Gooseneck w/ 2.2 GPM [8.3 L/min] Vandal Resistant Aerator

24" [610mm] Sensor Cable

Removable Strainer

Mounting Surface



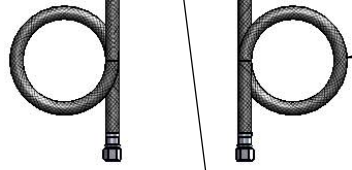
4" [102mm]

1/2" NPSM x 1/4" NPSM 18" [457mm] Flexible Stainless Steel Hose

Hydro-Generator Power Supply. No AA Batteries or AC Adapter Needed to Supply Power to Faucet.

Optional 100-240 VAC Adapter w/ 71" [1800mm] Power Cord (Included). (Remove Rubber Plugs on Module and Cable to Connect)

(2) 3/8" Compression x 1/2" NPSM 18" [457mm] Flexible Stainless Steel Supply Hose



Temperature Mixing Valve w/ Check Valves

Rough-In Requirement:
Ø 1" [25mm] Center Hole
(2) Ø 1 1/8" [29mm] Side Mounting Holes

Product Specifications:
Chrome Plated Brass Electronic Faucet: Deck Mount Rigid Gooseneck w/ VR Aerator, AC/DC Control Module w/ Internal Flow Cont. Setting Switches, Temperature Control Mixing Valve w/ Check Valves, Hydro-Generator, 4" Deck Plate, 18" Hot & Cold Supply Stop Flexible Connector Hoses

Product Compliance:
ASME A112.18.1 / CSA B125.1
NSF 61 - Section 9
NSF 372 (Low Lead Content)
ANSI A117.1 (ADA)
UL 1951



T&S BRASS AND BRONZE WORKS, INC.

2 Saddleback Cove / P.O. Box 1088
Travelers Rest, SC 29690

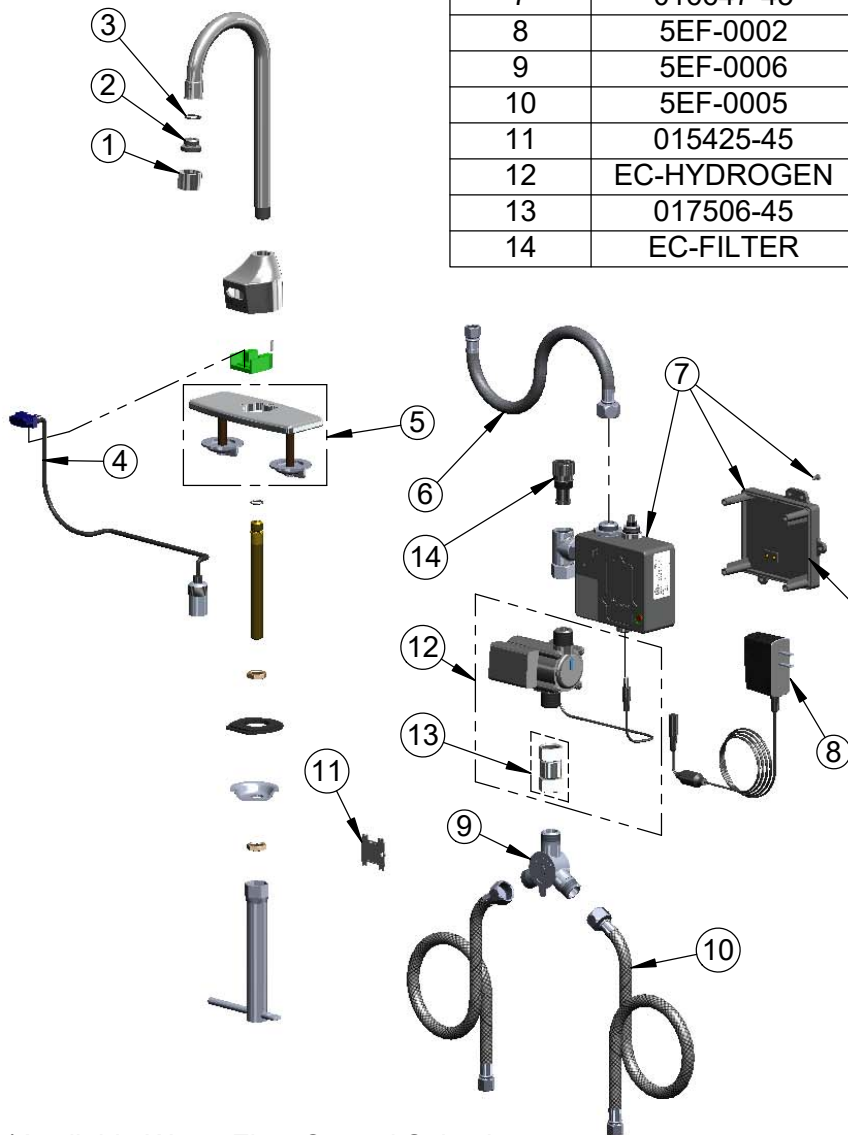
Model No.

EC-3100-4DP-HG

Item No.

Travelers Rest, SC: 800-476-4103 • Simi Valley, CA: 800-423-0150 • Fax: 864-834-3518 • www.tsbrass.com

ITEM NO.	SALES NO.	DESCRIPTION
1	B-0199-06	VR 2.2 GPM Aerator, 55/64-27 Female
2	044A	3/8" to Aerator Adapter
3	006575-45	-015 O-Ring
4	017195-45	Angled Sensor w/ Cable
5	013433-40	4" Universal Deck Plate, Gasket & Mounting Hardware
6	016297-45	Inlet Hose, Faucet, 1/2" NPSM-F x 1/4" NPSM-F
7	016647-45	ChekPoint Module (Grey)
8	5EF-0002	Plug-in AC Transformer
9	5EF-0006	Mechanical Mixing Valve
10	5EF-0005	Supply Hose, 9/16-24 Female x 1/2" NPSM
11	015425-45	Vandal Resistant Key
12	EC-HYDROGEN	Hydro-Generator and Swivel Coupling
13	017506-45	1/2 NPSM Swivel Coupling
14	EC-FILTER	Replacement Filter



Label for Flow Control Switch Settings is Located on Inside of Back Cover.

Flow Control Switches are Located Inside Module Housing in Black Box Next to Battery Compartment.

*Switches are Set to DEFAULT Position:

- Auto Time Out = 15 Seconds
- Shut Off Delay = 1 Second
- Auto Flush = OFF

Remove (4) Screws and Back Cover to Access Switches.

***Available Water Flow Control Selections:**

- Auto Time Out: 15 sec, 30 sec, 45 sec, 60 sec, 3 min, 20 min
- Shut Off Delay: 1 sec, 10 sec, 15 sec, 30 sec
- Auto Flush (30 Seconds After Every 12 Inactive Hours): ON or OFF

Product Specifications:

Chrome Plated Brass Electronic Faucet: Deck Mount Rigid Gooseneck w/ VR Aerator, AC/DC Control Module w/ Internal Flow Cont. Setting Switches, Temperature Control Mixing Valve w/ Check Valves, Hydro-Generator, 4" Deck Plate, 18" Hot & Cold Supply Stop Flexible Connector Hoses

Product Compliance:

ASME A112.18.1 / CSA B125.1
NSF 61 - Section 9
NSF 372 (Low Lead Content)
ANSI A117.1 (ADA)
UL 1951