



# T&S BRASS AND BRONZE WORKS, INC.

2 Saddleback Cove / P.O. Box 1088  
Travelers Rest, SC 29690

Model No.

**EC-3101-LF22-SB**

Item No.

Travelers Rest, SC: 800-476-4103 • Simi Valley, CA: 800-423-0150 • Fax: 864-834-3518 • www.tsbrass.com



Optional B-0103-F Series  
Flow Control Rosespray  
Outlet (Sold Separately)

3 3/4"  
[95mm]

2 1/4"  
[57mm]



**ADA Compliant**



This Space for Architect/Engineer Approval

Job Name \_\_\_\_\_ Date \_\_\_\_\_

Model Specified \_\_\_\_\_ Quantity \_\_\_\_\_

Customer/Wholesaler \_\_\_\_\_

Contractor \_\_\_\_\_

Architect/Engineer \_\_\_\_\_

1 13/16"  
[47mm]

018052-40  
Rigid Surgical Bend Nozzle  
w/ 2.2 GPM [8.3 L/min]  
Vandal Resistant Laminar  
Flow Device.

13/16"  
[21mm]

15/16"  
[24mm]  
Maximum  
Thickness

Mounting  
Surface

1 15/16"  
[49mm]

Short Elbow for  
Restricted Space  
Installations

Unscrew Set  
Screw in Body  
to Desired Height  
for Anti-rotation  
Feature.  
(See Mounting  
Hole Detail)

1/2" NPSM x 3/8" NPSM  
30" [762mm] Long Flexible  
Stainless Steel Hose

11 5/8"  
[296mm]

6 3/16"  
[157mm]

8 1/16"  
[205mm]

24" [610mm]  
Sensor Cable

3 5/8" x 4 3/16" x 2" Deep  
[92mm x 106mm x 51mm]  
Water Resistant Control Module Box (Blue)  
w/ Internal Flow Control Setting Switches  
AC or DC Operated w/ (4) AA Batteries.  
Hardwire Capable Using Terminals on Back

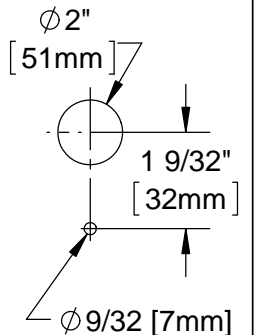
100-240 VAC Adapter  
w/ 144" [3658mm] Long  
Double Power Cord.  
(Remove rubber plugs  
on module and  
cable to connect)

(2) 3/8" Compression x 1/2" NPSM  
18" [457mm] Flexible Stainless Steel  
Supply Hose

Removable  
Strainer

Temperature  
Mixing Valve  
w/ Integral  
Check Valves

Mounting Hole  
Detail



### Product Specifications:

Chrome Plated Brass Electronic Faucet: Wall Mount Rigid Surgical Bend Nozzle w/ VR Laminar Flow Device, AC/DC Control Module w/ Internal Flow Control Setting Switches, Temperature Control Mixing Valve w/ Integral Check Valves, & 18" Lg Hot & Cold Supply Hoses

### Product Compliance:

ASME A112.18.1 / CSA B125.1  
NSF 61 - Section 9  
NSF 372 (Low Lead Content)  
ANSI A117.1 (ADA)  
UL 1951



# T&S BRASS AND BRONZE WORKS, INC.

2 Saddleback Cove / P.O. Box 1088  
Travelers Rest, SC 29690

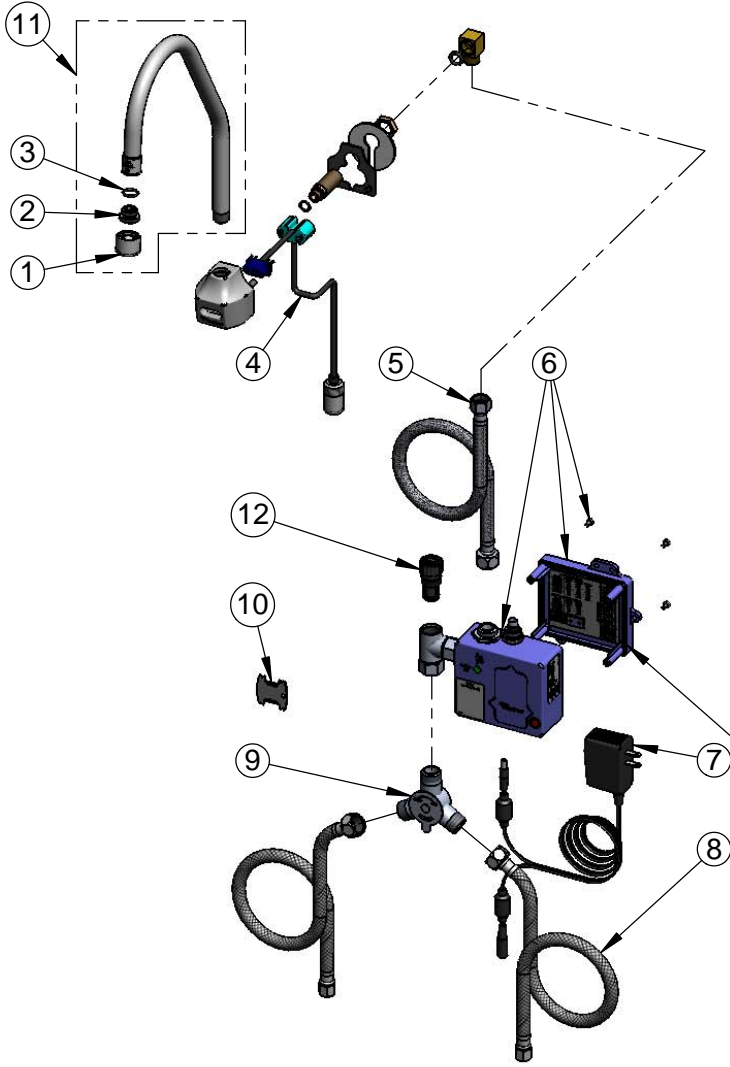
Model No.

**EC-3101-LF22-SB**

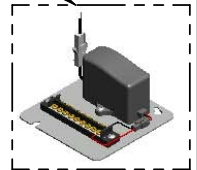
Item No.

Travelers Rest, SC: 800-476-4103 • Simi Valley, CA: 800-423-0150 • Fax: 864-834-3518 • www.tsbrass.com

ITEM NO.	SALES NO.	DESCRIPTION
1	B-0199-21-VRF	VR Device 2.2 GPM, Laminar Flow, 55/64-27
2	044A	3/8" to Aerator Adapter
3	006575-45	O-Ring
4	017195-45	Angled Sensor w/ Cable
5	016325-45	Inlet Hose, Faucet, 1/2" NPSM-F x 3/8" NPSM-F
6	016647-45	ChekPoint Module (Blue)
7	5EF-0002	Double Gang, Plug-in A/C Transformer
8	5EF-0005	Supply Hose, 9/16-24 Female x 1/2" NPSM
9	5EF-0006	Mechanical Mixing Valve
10	015425-45	Vandal Resistant Key
11	018052-40	Rigid Surgical Bend Nozzle w/ 2.2 GPM VR Laminar Flow Device
12	EC-FILTER	Replacement Filter



A Maximum of (8) ChekPoint Faucets can be Hardwire Connected and Powered by EC-HARDWIRE ChekPoint Hardwire AC Transformer. (Sold Separately)



Label for Flow Control Switch Settings is Located on Inside of Back Cover.

Flow Control Switches are Located Inside Module Housing in Black Box Next to Battery Compartment.

- \*Switches are Set to DEFAULT Position:
- Auto Time Out = 15 Seconds
  - Shut Off Delay = 1 Second
  - Auto Flush = OFF

Remove (4) Screws and Back Cover to Access Switches.

**\*Available Water Flow Control Selections:**

- Auto Time Out: 15 sec, 30 sec, 45 sec, 60 sec, 3 min, 20 min
- Shut Off Delay: 1 sec, 10 sec, 15 sec, 30 sec
- Auto Flush (30 Seconds After Every 12 Inactive Hours): ON or OFF

**Product Specifications:**

Chrome Plated Brass Electronic Faucet: Wall Mount Rigid Surgical Bend Nozzle w/ VR Laminar Flow Device, AC/DC Control Module w/ Internal Flow Control Setting Switches, Temperature Control Mixing Valve w/ Integral Check Valves, & 18" Lg Hot & Cold Supply Hoses

**Product Compliance:**

ASME A112.18.1 / CSA B125.1  
NSF 61 - Section 9  
NSF 372 (Low Lead Content)  
ANSI A117.1 (ADA)  
UL 1951